

TOGGLE CLAMPS,
MANUAL AND
PNEUMATIC



WE GENERATE EXCITEMENT.

Since its founding by Andreas Maier in 1890, our company has lived through many exciting times. Today we are the leading manufacturer in Europe, supplying over 5,000 different products from the fields of clamping, hand tools and locks. With this extensive product range we can meet all of our customers' needs and requirements. But providing optimal quality means meeting the challenges at all levels: Expert consultation, modern team organisation, individual solutions (including special developments), flexibility in response to changing conditions, etc. And we ourselves find this so exciting that we look forward every day to shaping the market together with our employees and our customers – both now and in the future. That is something you can count on.

COMPANY HISTORY

- 1890** Company founded as a lock manufacturer by Andreas Maier.
- 1920** Product range extended to include spanners.
- 1928** Production line assembly of „Fellbach locks“.
- 1951** AMF introduces clamping elements and diversifies into workpiece and tool clamping technology.
- 1965** Toggle clamps extend the AMF product range. AMF catalogues are now printed in ten languages.
- 1975** Further specialisation into hydraulic clamping technology.
- 1982** Clamping and fixture systems round off AMF's clamping expertise.
- 1996** AMF team organisation in all sectors of the business. Quality management with certification to ISO 9001.
- 2001** AMF Service Guarantee for all products.
- 2004** Introduction of the ZPS zero-point clamping system.
- 2007** The magnetic clamping technology extends the AMF product range.
- 2009** Development and marketing of AMF Vacuum clamping technology
- 2012** Marking and cleaning tools included in the AMF product range.



MANAGING DIRECTORS

> Johannes Maier
Volker Göbel



THE AMF SERVICE GUARANTEE

> Assuredly on the way to the top

5 Individual development

And if the product you need doesn't exist? Just ask us: We will find the best solution for you – whether it is a special version or a completely new development.

4 Warranty

We stand by our high quality standards. We handle customer complaints very liberally and without red tape – whenever possible even after the end of the warranty period.

3 Guaranteed quality standard

AMF stands for manufacturing in-house with the utmost care. A tradition we have upheld since 1890 – and naturally for many years now with a modern quality management system to ISO 9001.

2 Short delivery times

AMF's finished goods inventory with over 5,000 items guarantees a delivery readiness of 98%. You can also count on each warehouse item you order being shipped to you on the same day.

1 Service from genuine experts

„Different tasks, different solutions. In AMF's professional product range, you can find the right solution quickly and reliably: either from your local dealer or with help from the specialists in our teams. A phone call is all it takes.“

E Made in Germany

It goes without saying that our range of products is developed and manufactured by our team of employees in Germany.

PRODUCTS ON THE COVER

Pneumatic toggle clamp No. 6820A, page 80 · Vertical acting toggle clamp No. 6800NI, page 47

VERTICAL ACTING TOGGLE CLAMPS		10 - 18
HORIZONTAL ACTING TOGGLE CLAMPS		19 - 25
PUSH-PULL TYPE TOGGLE CLAMPS		26 - 33
HOOK TYPE TOGGLE CLAMP		34 - 38
TOGGLE CLAMPS WITH SAFETY LATCH		39 - 46
STAINLESS STEEL TOGGLE CLAMPS		47 - 58
VARIABLE TOGGLE CLAMPS		59 - 62
BLACK TOGGLE CLAMPS FOR OPTICAL MEASUREMENT TECHNOLOGY		63 - 75
PNEUMATIC TOGGLE CLAMPS, AUTOMATION CLAMPS PNEUMATIC SWING CLAMPS		76 - 105
ACCESSORIES		106 - 114



PNEUMATIC CLAMP WITH LEVER

No. 6828H, page 91

NEW!



NEW!

HORIZONTAL TOGGLE CLAMP PLUS

No. 68300NI, page 50



NEW!

PNEUMATIC CLAMP

No. 6820A, page 80



PNEUMATIC CLAMP

No. 6821A, page 81

NEW!

CLAMPING SCREW

No. 68301NI, page 108

NEW!



NEW!



ROTATABLE BASE UNIT

No. 6898V, page 107



NEW!

HORIZONTAL TOGGLE CLAMP VARIABLE

No. 6872, page 61



NEW!

HORIZONTAL TOGGLE CLAMP VARIABLE

No. 6871, page 61



NEW!

HORIZONTAL TOGGLE CLAMP VARIABLE

No. 6870, page 60

PUSH-PULL TYPE TOGGLE CLAMP VARIABLE

No. 6873, page 62



NEW!



NEW!

PUSH-PULL TYPE TOGGLE CLAMP VARIABLE

No. 6874, page 62

> ADVANTAGES OF „TOGGLE“ PRINCIPLE

- > Large and quick opening.
- > Clearing the workpieces completely for unimpeded handling of work.
- > Large power transmission. Minimum operating effort giving maximum clamping force.
- > The clamps are self-arresting, they remain locked, resisting the force produced when machining components.

> APPLICATIONS

A wide range of uses can be found for these AMF toggle clamps owing to their favourable power to movement ratio, and their easy action. These versatile clamps can be used in the metal working industry when drilling, welding, bending, grinding, testing and fitting, as well as in the wood and plastic industry in glueing, drilling, cutting and milling jigs.

> QUALITY FEATURES

To rationalize effectively, a design should be selected which will function for many years. AMF toggle clamps are equipped with ample dimensioned rivets which are moving in case-hardened bushes (with exception of size 0 and 1 for space reasons). All parts are galvanized prior to assembly. The tempered and galvanized clamping screw (strength class 8.8) is quickly adjustable by the T-slot nut or the special nut. Certain toggle clamps are also available in STAINLESS STEEL versions. Please see pages 47 to 58.

AMF toggle clamps are designed for ambient temperatures from -10°C to +80°C and are free of paint-wetting impairment substances.

> DESIGN AND SERVICE LIFE

Due to the different applications the design is of importance. Besides our high quality standard types extra heavy duty toggle clamps no. 6811P and no. 6812P are available.

> FORCES WITH HAND- AND PNEUMATIC TOGGLE CLAMPS

The selection of the correct toggle clamp size depends on the required clamping forces (refer to specification tables). The forces are shown in kN and one should distinguish between:

- Holding force F1 or F2
- Clamping force F3 or F4
- Piston force F5 (6 bar air pressure)

> THE CLAMPING FORCE

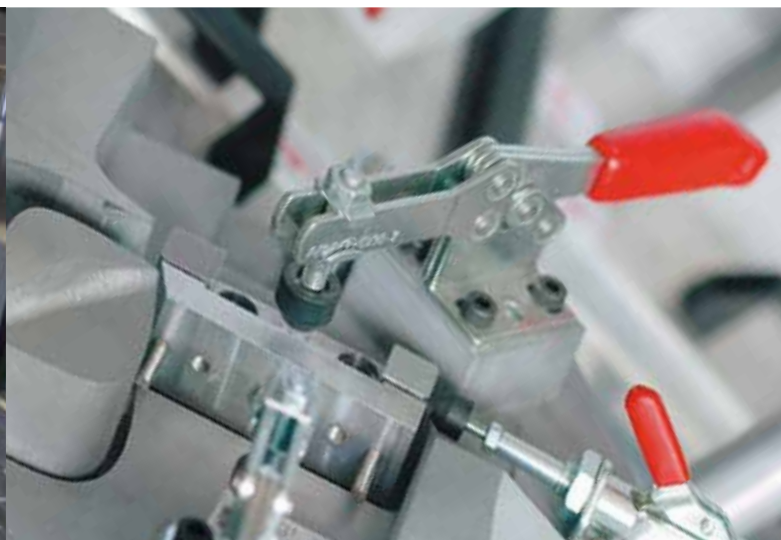
is the force applied when closing the clamp, measured between the arms and the component. As opposed to the pneumatic toggle clamps the clamping forces of manual clamps can not be correctly formulated as it is dependent on the operator.

> THE HOLDING FORCE

is the force the closed arm transmits to the workpiece, without itself being deformed when machine forces apply. When maximum force is reached, the hinged point goes over the dead centre, thereby insuring, that the action is locked and cannot be released until such time as the handle is returned to its original position.

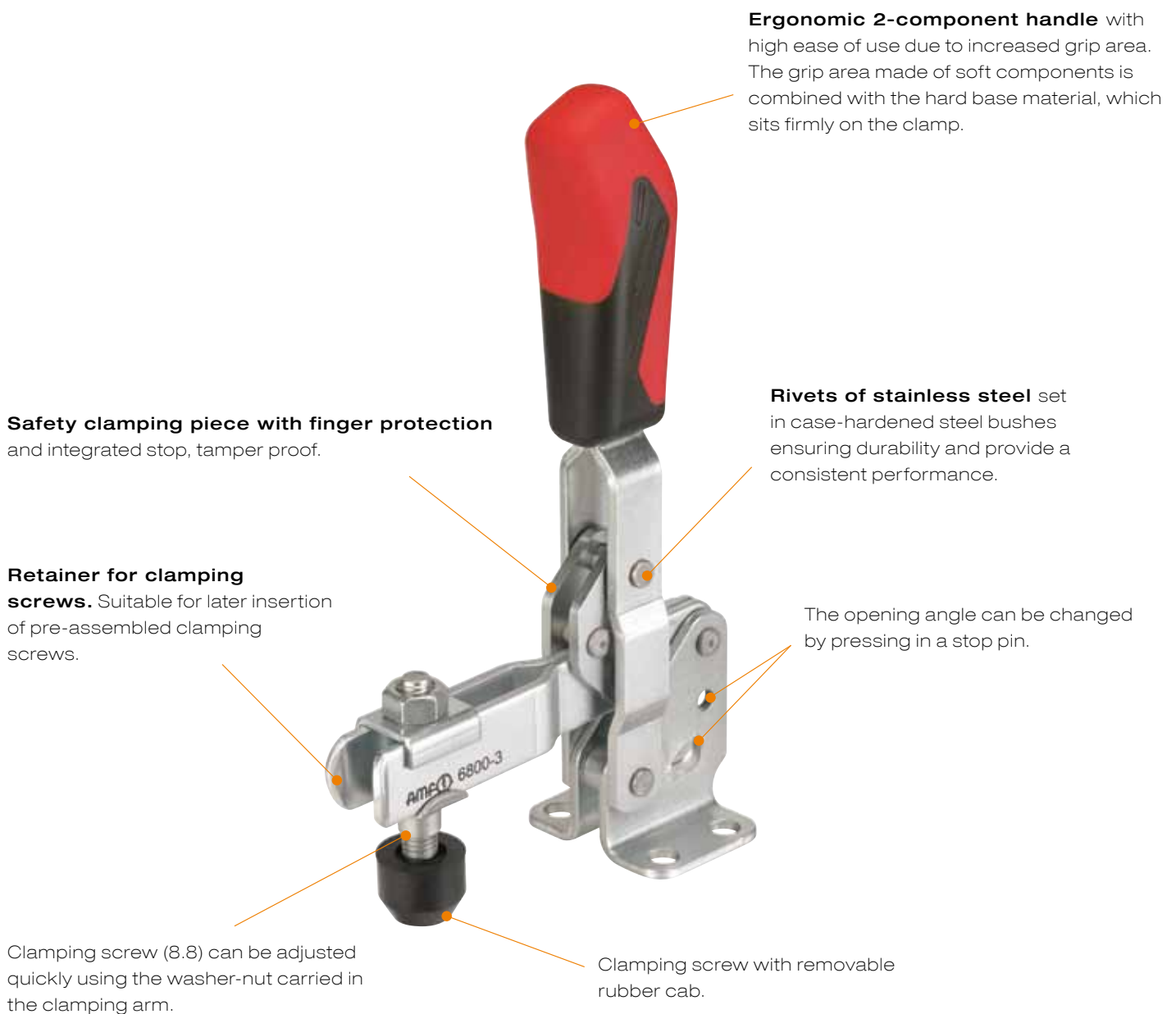
> MOUNTING POSSIBILITIES

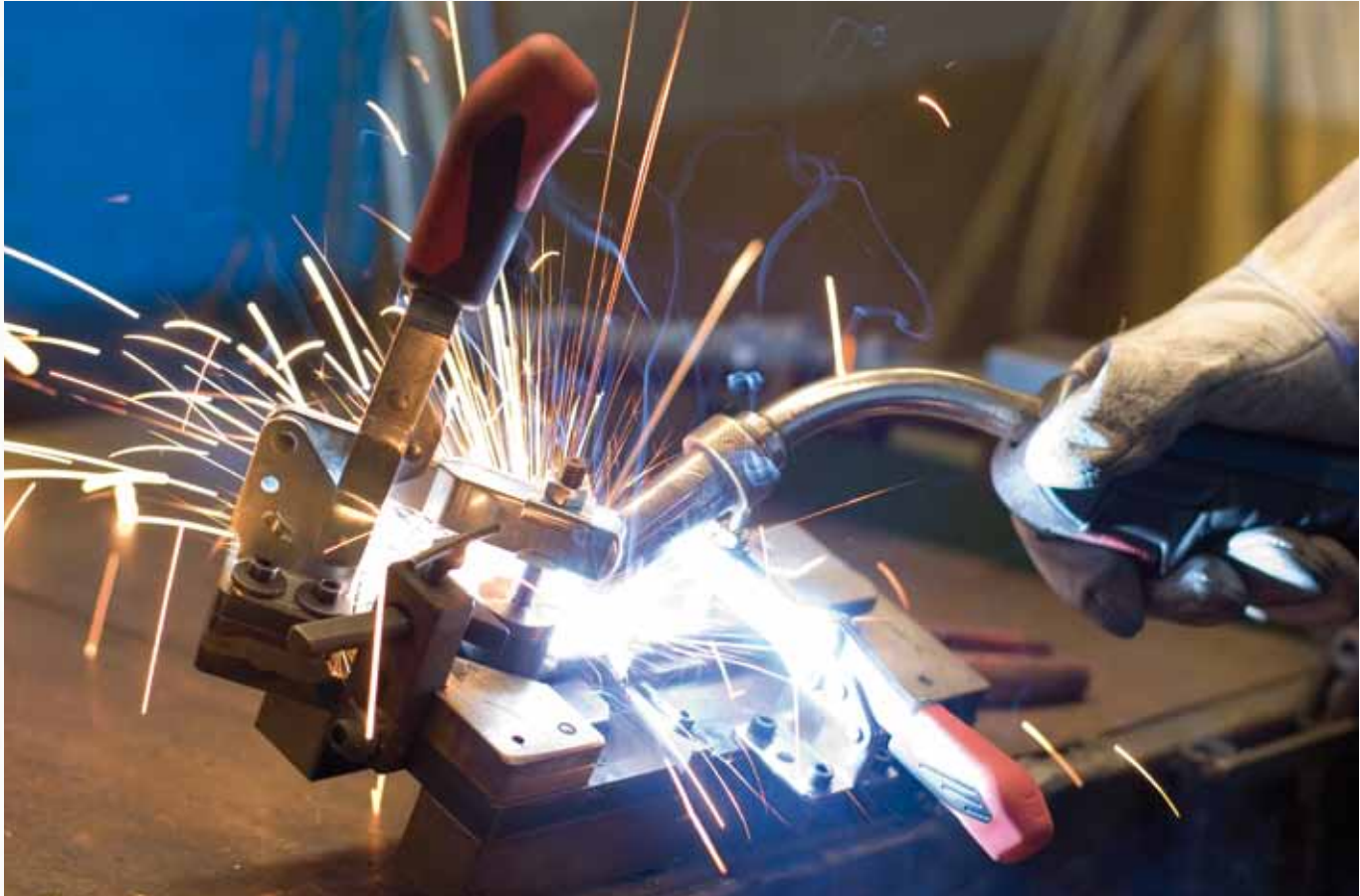
The base are offered in three versions: toggle clamps with horizontal base, vertical base (preferably used on welded construction and on webs) and toggle clamps with angle base for front mounting. With all toggle clamps the clamping screws are included in the price. Large quantities can be supplied without clamping screw if required.

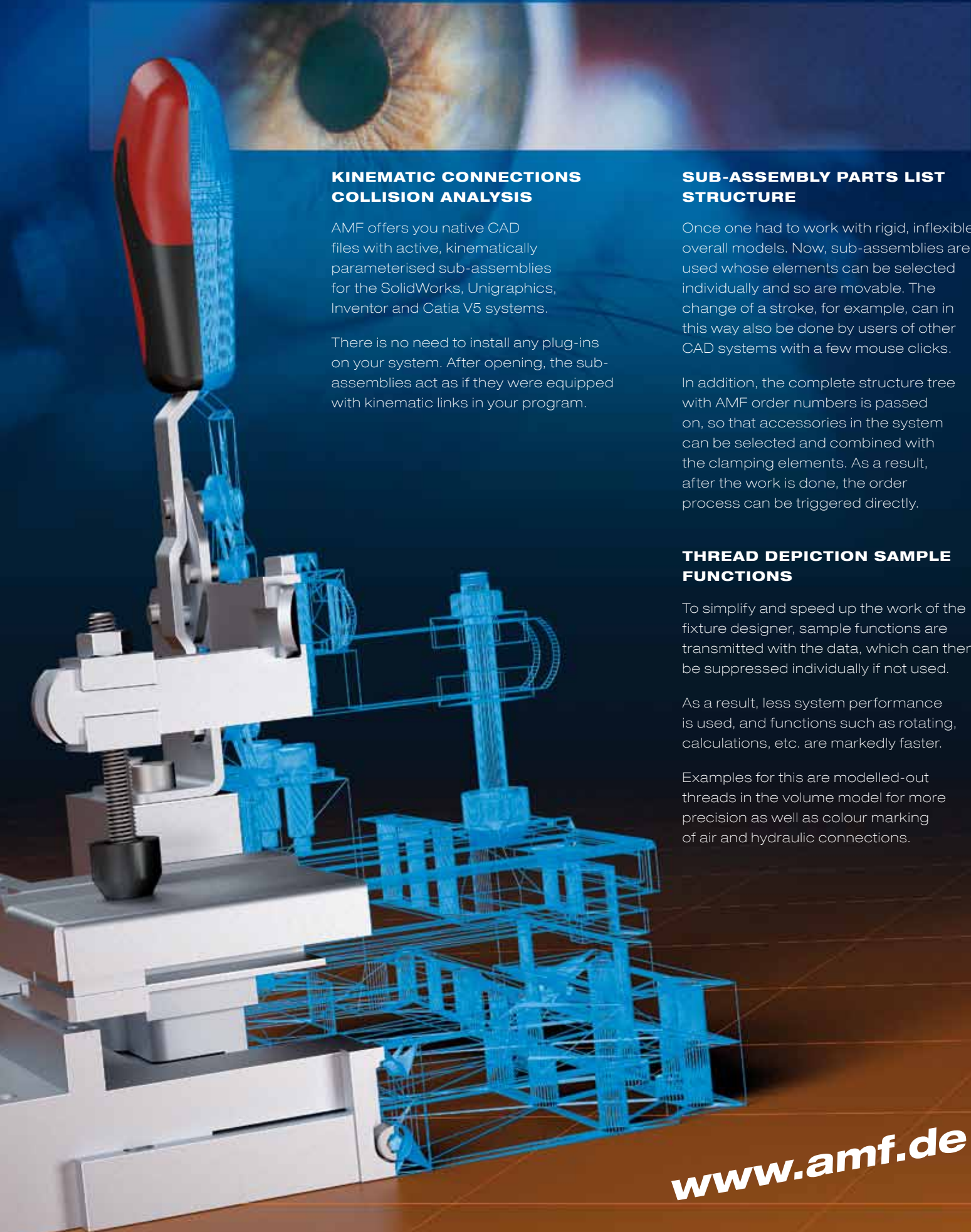


THE FEATURES OF OUR TOGGLE CLAMPS AT A GLANCE

- > Ergonomic two-component handle
- > Safety clamping piece with finger protection
- > Retainer for clamping screws.
- > Stainless steel rivets
- > Removable rubber cap







KINEMATIC CONNECTIONS COLLISION ANALYSIS

AMF offers you native CAD files with active, kinematically parameterised sub-assemblies for the SolidWorks, Unigraphics, Inventor and Catia V5 systems.

There is no need to install any plug-ins on your system. After opening, the sub-assemblies act as if they were equipped with kinematic links in your program.

SUB-ASSEMBLY PARTS LIST STRUCTURE

Once one had to work with rigid, inflexible overall models. Now, sub-assemblies are used whose elements can be selected individually and so are movable. The change of a stroke, for example, can in this way also be done by users of other CAD systems with a few mouse clicks.

In addition, the complete structure tree with AMF order numbers is passed on, so that accessories in the system can be selected and combined with the clamping elements. As a result, after the work is done, the order process can be triggered directly.

THREAD DEPICTION SAMPLE FUNCTIONS

To simplify and speed up the work of the fixture designer, sample functions are transmitted with the data, which can then be suppressed individually if not used.

As a result, less system performance is used, and functions such as rotating, calculations, etc. are markedly faster.

Examples for this are modelled-out threads in the volume model for more precision as well as colour marking of air and hydraulic connections.

No. 6800

Vertical acting toggle clamp

with open clamping arm and horizontal base.

Galvanized and passivated. Rivets made of stainless steel, which, for sizes 2 to 6, run in hardened bushings.

Bearings are pre-lubricated.

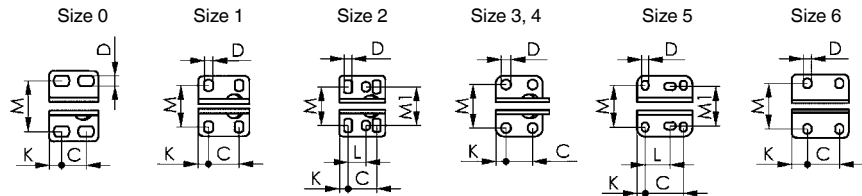
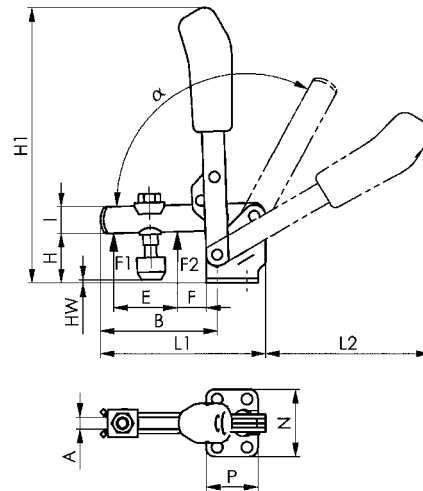
Ergonomic, oil-resistant handle with large grip surface and soft components. Safety clamping piece with finger protection, lock washer for the thrust bolt at the end of the clamping arm.

Complete with tempered, galvanized clamping screw no. 6890.



Order no.	Size	F1 [kN]	F2 [kN]	Clamping screw	Weight [g]
90001	0	0,5	0,7	M 4x 25	60
90019	1	0,6	1,1	M 5x 30	105
90027	2	0,8	1,2	M 6x 35	175
90035	3	1,2	2,5	M 8x 45	410
90043	4	1,7	3,0	M 8x 65	630
90050	5	3,0	5,0	M12x 80	1480
90068	6	3,4	5,5	M12x110	2200

Also available in „STAINLESS STEEL“ version (no. 6800NI) and in matte-black version (no. 6800B)!



Recommendations



No. 6895,
page 113



No. 6892,
page 112



No. 6800S,
page 39

Dimensions:

Order no.	Size	A	B	C	D	E	F	H	H1	HW min.	HW max.	I	K	L	L1	L2	M	M1	N	P	α	α^*
90001	0	4	31,0	8,5-13,5	4,5	14	5,5	18,0	81,0	-1,5	3,5	8	5,5	-	49	50	23,0	-	32	22	95°	-
90019	1	5	39,0	16,0	4,5	18	6,0	19,0	98,5	-4,0	2,0	10	5,5	-	61	59	22,5-26,0	-	34	27	95°	-
90027	2	6	52,0	20,0	5,5	25	11,0	23,0	139,5	-3,0	4,5	12	6,0	12,5	78	89	23,0-31,0	27	43	32	105°	60°
90035	3	8	79,0	20,0	7,5	37	19,0	33,0	186,0	2,0	11,0	18	7,5	-	112	112	32,5	-	46	35	105°	60°
90043	4	10	101,0	32,0	8,6	54	16,0	42,5	221,0	-6,0	22,5	20	13,0	-	141	130	43,5-46,5	-	64	53	105°	60°
90050	5	14	140,0	45,0	8,5	73	34,0	55,8	281,0	-3,0	27,5	25	9,5	26,5-31,5	195	185	45,0-50,0	45	70	65	115°	60°
90068	6	14	165,5	50,5	13,0	89	28,0	81,0	333,0	-2,5	55,0	30	24,5	-	231	206	67,5-72,5	-	100	90	140°	60°

* The opening angle can be changed by pressing in a stop pin.

Subject to technical alterations.

No. 6802

Vertical acting toggle clamp

with open clamping arm and vertical base.

Galvanized and passivated. Rivets made of stainless steel, which, for sizes 2 to 6, run in hardened bushings.

Bearings are pre-lubricated.

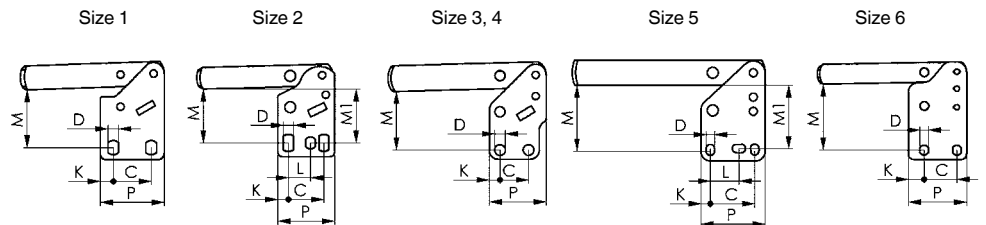
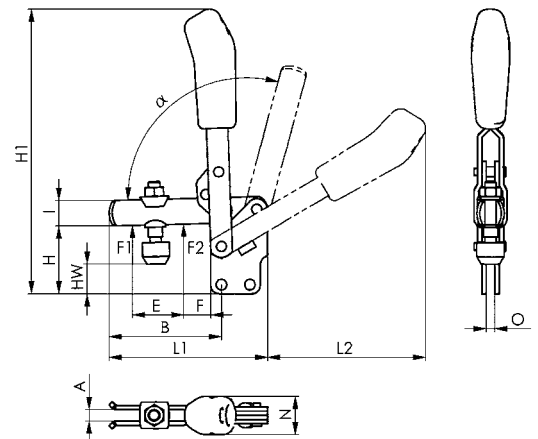
Ergonomic, oil-resistant handle with large grip surface and soft components. Safety clamping piece with finger protection. Lock washer for the thrust bolt at the end of the clamping arm.

Complete with tempered, galvanized clamping screw no. 6890.



Order no.	Size	F1 [kN]	F2 [kN]	Clamping screw	Weight [g]
90217	1	0,6	1,1	M 5x 30	105
90225	2	0,8	1,2	M 6x 35	175
90233	3	1,2	2,5	M 8x 45	410
90241	4	1,7	3,0	M 8x 65	630
90258	5	3,0	5,0	M12x 80	1480
90266	6	3,4	5,5	M12x110	2200

Also available in matte-black version (no. 6802B)!



Recommendations



No. 6891,
page 111



No. 6802S,
page 40

Dimensions:

Order no.	Size	A	B	C	D	E	F	H	H1	HW min.	HW max.	I	K	L	L1	L2	M	M1	N	O	P	α	α*
90217	1	5	39	16,0	4,5	18	6	29	109,0	6,0	12,5	10	5,5	-	61	59	23,5-25,0	-	19	5	27	95°	-
90225	2	6	52	20,0	5,5	25	11	38	144,5	11,5	19,5	12	6,0	12,5	78	80	28,5-32,0	30	21	5	32	105°	60°
90233	3	8	79	20,0	7,5	36	19	48	200	16,5	25,0	18	7,5	-	112	114	41,0	-	27	6	40	105°	60°
90241	4	10	101	32,0	8,6	54	16	65	244	16,5	45,5	20	13,0	-	141	130	55,5	-	35	8	53	105°	60°
90258	5	14	140	45,0	8,5	72	35	77	301	18,0	49,0	25	9,5	26,5-31,5	195	183	66,0	64	45	10	65	115°	60°
90266	6	14	165	50,5	13,0	89	28	117	369	33,0	90,5	30	24,5	-	231	206	102,0	-	45	10	90	140°	60°

* The opening angle can be changed by pressing in a stop pin.

No. 6803

Vertical acting toggle clamp

with open clamping arm and angle base.

Galvanized and passivated. Rivets made of stainless steel, which, for sizes 2 and 3, run in hardened bushings.

Bearings are pre-lubricated.

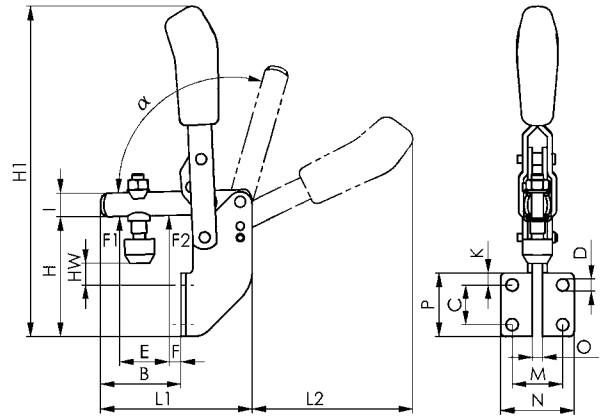
Ergonomic, oil-resistant handle with large grip surface and soft components. Safety clamping piece with finger protection. Lock washer for the thrust bolt at the end of the clamping arm.

Complete with tempered, galvanized clamping screw no. 6890.



Order no.	Size	F1 [kN]	F2 [kN]	Clamping screw	Weight [g]
90316	1	0,8	1,1	M5x30	125
90324	2	1,0	1,2	M6x35	220
90332	3	1,4	2,5	M8x45	400
90340	4	2,0	3,0	M8x65	650

Also available in „STAINLESS STEEL“ version (no. 6803NI).



Recommendations



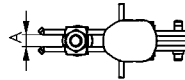
No. 6895,
page 113



No. 6896,
page 112



No. 6803S,
page 41



Dimensions:

Order no.	Size	A	B	C	D	E	F	H	H1	HW min.	HW max.	I	K	L1	L2	M	N	O	P	α	α^*
90316	1	5	34,5	14	4,5	18	7	45	125	2,5	9,0	10	10	61	58	20,0	30,0	5	30	98°	-
90324	2	6	41,0	20	6,1	25	6	60	167	7,5	15,5	12	6	77	81	25,5	37,0	5	32	105°	60°
90332	3	8	63,0	24	6,5	37	11	71	223	9,0	17,5	18	7	111	112	28,5	42,5	6	38	105°	60°
90340	4	10	84,0	32	8,5	54	11	102	280	11,0	40,0	20	54	141	129	32,0	52,0	8	96	105°	60°

* The opening angle can be changed by pressing in a stop pin.



Subject to technical alterations.

No. 6804

Vertical acting toggle clamp

with solid arm and horizontal base.

Galvanized and passivated.

Stainless steel rivets, which run in hardened bushes.

Bearings are pre-lubricated.

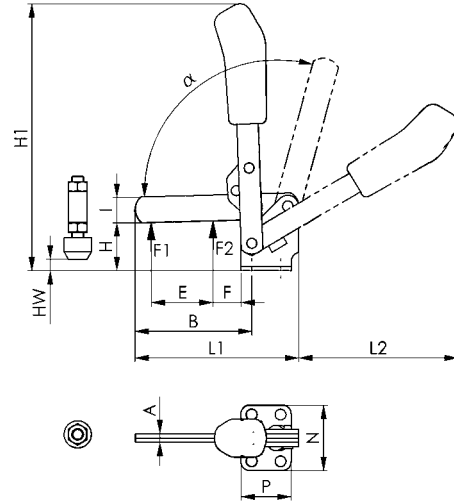
Ergonomic, oil-resistant handle with large grip surface and soft components. Safety clamping piece with finger protection.

Complete with tempered, galvanized clamping screw

no. 6885 and sleeve to weld on.



Order no.	Size	F1 [kN]	F2 [kN]	Clamping screw	Weight [g]
90431	3	1,4	2,5	M8x45	340
90449	4	2,0	3,0	M8x65	585
90456	5	3,0	5,0	M12x80	1480
90464	6	3,5	5,5	M12x110	2200



Recommendations



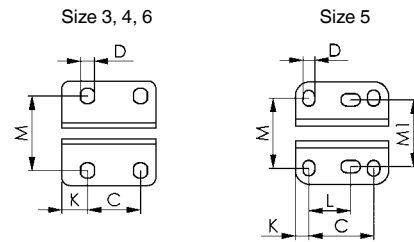
No. 6886, page 111



No. 6805, page 14



No. 6804S, page 42



Dimensions:

Order no.	Size	A	B	C	D	E	F	H	H1	HW min.	HW max.	I	K	L	L1	L2	M	M1	N	P	α	α^*
90431	3	6	81,0	20,0	7,5	43	19,5	33,5	186	0	12,0	18	7,5	-	108,5	116,5	32,5	-	46	35	105°	60°
90449	4	8	101,0	32,0	8,6	61	17,0	42,5	221	-8	21,0	20	13,0	-	141,5	129,5	45,0	-	64	53	105°	60°
90456	5	10	141,0	45,0	8,5	88	30,5	55,5	281	-6	25,5	25	9,5	26,5-31,5	196,5	184,0	45-50	45	70	65	115°	60°
90464	6	10	166,5	50,5	13,0	90	20,5	81,0	331	-5	51,0	30	24,5	-	232,0	206,0	68-72	-	100	90	140°	60°

* The opening angle can be changed by pressing in a stop pin.



Subject to technical alterations.

No. 6806

Vertical acting toggle clamp

with solid arm and vertical base.

Galvanized and passivated.

Stainless steel rivets, which run in hardened bushes.

Bearings are pre-lubricated.

Ergonomic, oil-resistant handle with large grip surface and soft components. Safety clamping piece with finger protection.

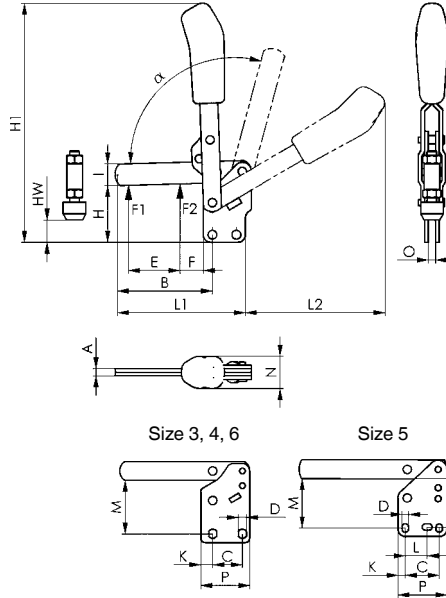
Complete with tempered, galvanized clamping screw

no. 6885 and sleeve to weld on.



CAD

Order no.	Size	F1 [kN]	F2 [kN]	Clamping screw	Weight [g]
90555	3	1,4	2,5	M 8x 45	400
90563	4	2,0	3,0	M 8x 65	585
90571	5	3,0	5,0	M12x 80	1480
90589	6	3,5	5,5	M12x110	2200



Recommendations



Dimensions:

Order no.	Size	A	B	C	D	E	F	H	H1	HW min.	HW max.	I	K	L	L1	L2	M	M1	N	O	P	α	α^*
90555	3	6	81,0	20,0	7,5	43	19,5	48	200	14,5	26,0	18	7,5	-	108,5	116,0	41,0	-	27	6	35	105°	60°
90563	4	8	101,0	32,0	8,6	61	17,0	65	244	13,0	44,0	20	13,0	-	141,5	129,5	55,5	-	34	8	53	105°	60°
90571	5	10	141,0	45,0	8,5	88	30,5	77	302	15,0	47,0	25	9,5	26,5-31,5	196,5	184,0	66,0	64	36	10	65	115°	60°
90589	6	10	166,5	50,5	13,0	90	20,5	117	369	28,5	86,5	30	24,5	-	232,0	206,0	102,0	-	39	10	90	140°	60°

* The opening angle can be changed by pressing in a stop pin.

No. 6805

Vertical acting toggle clamp

clamping arm with fixed distance of clamping screw and horizontal base.

Galvanized and passivated. Stainless steel rivets.

Bearings are pre-lubricated.

Ergonomic, oil-resistant handle with large grip surface and soft components. Safety clamping piece with finger protection.

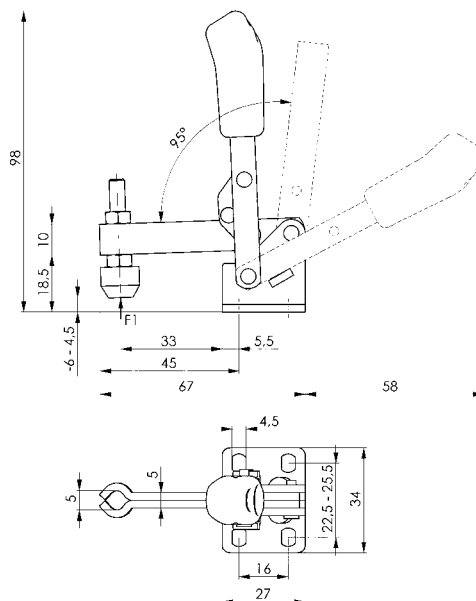
Complete with tempered, galvanized clamping screw

no. 6885.



CAD

Order no.	Size	F1 [kN]	Clamping screw	Weight [g]
90514	1	1	M5x30	100



Recommendations



Subject to technical alterations.

No. 6811P

Heavy vertical toggle clamp

with horizontal base.

Reamed and case-hardened bearing bushes.

Hardened, ground and permanently-lubricated pins. Clamp nuts on lever arm to vary friction in movement. Material: steel, blued.

Lever arm made of cast steel, blued.

Handle of red, oil-resistant plastic.

Handle of red, oil-resistant plastic.

Complete with tempered, galvanized clamping screw no. 6885.

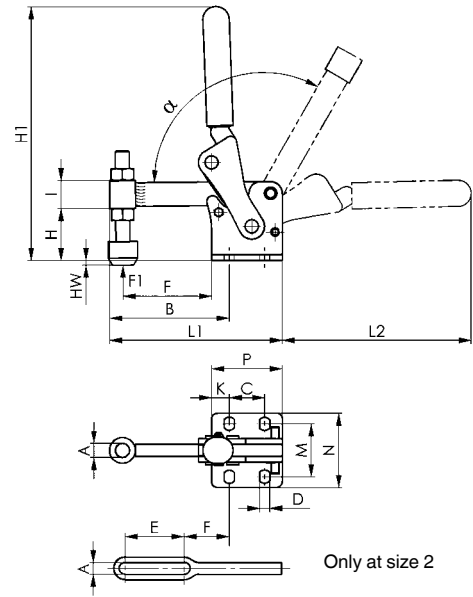


CAD

Order no.	Size	F1 [kN]	Clamping screw	Weight [g]
91314	2	2,5	M 6x 50	320
90878	4	5,0	M12x 80	1250
90886	6	6,0	M12x110	2130
90894	8	12,0	M12x110	4050

Note:

These heavy vertical toggle clamps are especially suitable for production equipment and fixtures.



Recommendations



No. 6805, page 14



No. 6812P, page 16

Dimensions:

Order no.	Size	A	B	C	D	E	F	H	H1	HW min.	HW max.	I	K	L1	L2	M	N	P	α
91314	2	6,1	57	20	7,1	30	21	25	127	-13,5	6	15	8,5	85	94	32	47	37	120°
90878	4	12,2	100	30	8,5	-	75	44	216	-19,0	14	24	15	146	160	45	65	60	120°
90886	6	12,2	121	45	10,5	-	95	65	263	-22,0	35	30	15	181	185	52	78	75	120°
90894	8	12,2	151	55	12,5	-	120	71	303	-10,0	41	36	20	226	203	75	108	95	120°



Subject to technical alterations.

No. 6812P

Heavy vertical toggle clamp

with vertical base and mounting holes.

Reamed and case-hardened bearing bushes.

Hardened, ground and permanently-lubricated pins. Clamp nuts on lever arm to vary friction in movement. Material: steel, blued.

Lever arm made of cast steel, blued.

Handle of red, oil-resistant plastic.

Handle of red, oil-resistant plastic.

Complete with tempered, galvanized clamping screw no. 6885.

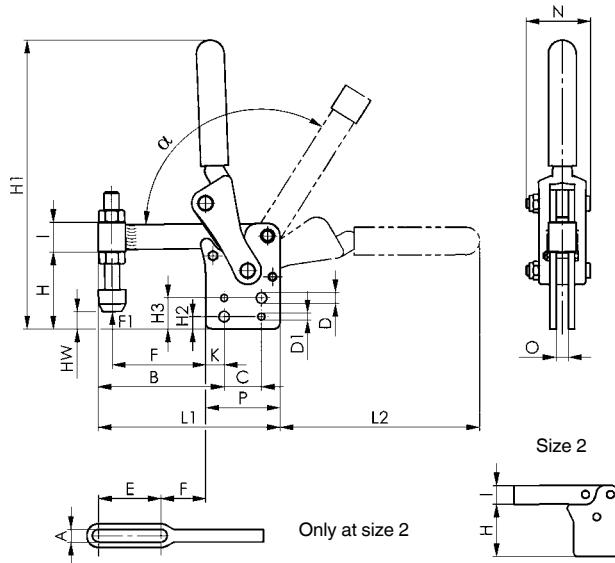


CAD

Order no.	Size	F1 [kN]	Clamping screw	Weight [g]
91330	2	2,5	M 6x 50	320
90902	4	10,0	M12x 80	1320
90910	6	12,0	M12x110	2120
90928	8	20,0	M12x110	4060

Note:

These heavy vertical toggle clamps are especially suitable for production equipment and fixtures.



Recommendations



No. 6802,
page 11



No. 6806,
page 14



No. 6811P,
page 15

Dimensions:

Order no.	Size	A	B	C	D	D1	E	F	H	H1	H2	H3	HW min.	HW max.	I	K	L1	L2	N	O	P	α
91330	2	6,2	48	-	-	-	30	12	42,0	144	-	-	3,5	22,8	15	-	85	94	31	6	37	190°
90902	4	12,2	101	30	8,5	5,7	-	75	62,0	233	10	25	-1,0	35,0	24	15	146	161	52	10	60	120°
90910	6	12,2	121	45	10,5	7,7	-	95	87,5	289	15	35	0,0	58,0	30	15	181	189	60	12	75	120°
90928	8	12,2	151	55	12,5	9,7	-	120	106,0	338	15	40	25,0	76,0	36	20	226	219	76	16	95	120°

Subject to technical alterations.

No. 6809P

Modular clamp

with swivelling foot, welding version.

Mechanism can be welded at an angle to its support.

Reamed and case-hardened bearing bushes. Hardened, ground and permanently-lubricated pins.

Clamp nuts on lever arm to vary friction in movement.

Materials: steel, blued. Lever arm made of cast steel, blued.

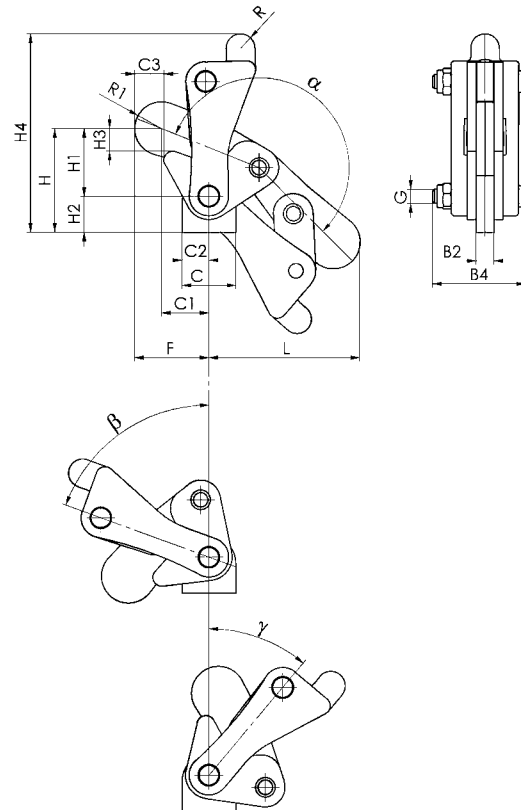


CAD

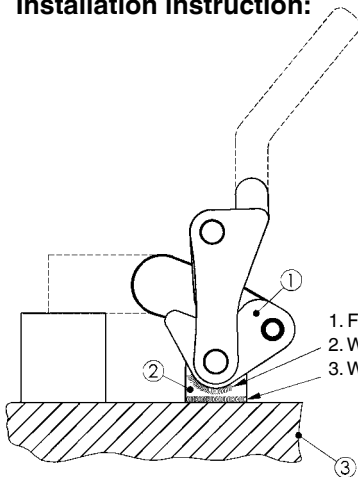
Order no.	Size	F1		Weight [g]
			[kN]	
90738	2		2,5	205
90746	4		7,0	855
90753	6		11,0	1600
90761	8		22,5	3100
90779	10		34,0	5560

Note:

These modular clamps can be supplemented with accessories just as you need to meet the requirements of your production equipment and fixtures.



Installation instruction:



1. Fix modular clamp in clamping position
2. Weld part ① to part ②
3. Weld part ② to part ③

Recommendations



No. 6810P,
page 18



No. 6811P,
page 15



No. 6812P,
page 16

Dimensions:

Order no.	Size	B2	B4	C	C1	C2	C3	F	G	H	H1	H2	H3	H4	L	R	R1	α	β	γ
90738	2	6	31	22	22	11	12	32	M 6	38	18	20,0	5	76	58	5	10,0	200°	70°	40°
90746	4	10	52	30	26	15	16	41	M 8	58	38	20,0	12	112	82	8	15,0	200°	70°	40°
90753	6	12	60	36	36	18	20	55	M10	78	50	28,0	16	145	105	11	18,0	200°	70°	40°
90761	8	16	76	50	50	25	27	72	M12	98	65	33,0	19	172	135	14	22,5	200°	70°	40°
90779	10	20	90	70	52	35	22	77	M16	117	83	33,5	25	210	155	14	25,0	200°	60°	28°

Subject to technical alterations.

No. 6810P

Modular clamp

with vertical foot, welding version.

Reamed and case-hardened bearing bushes.

Hardened, ground and permanently-lubricated pins.

Clamp nuts on lever arm to vary friction in movement.

Materials: steel, blued. Lever arm made of cast steel, blued.

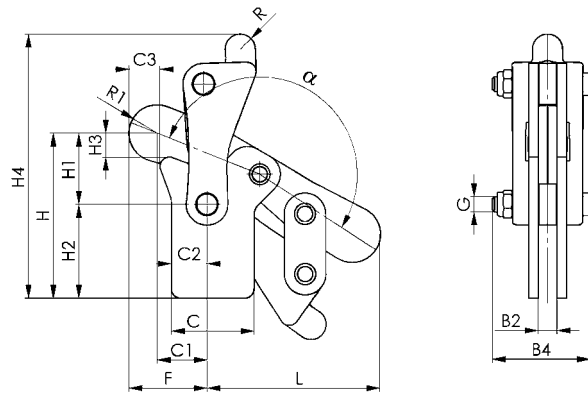


CAD

Order no.	Size	F1		Weight [g]
			[kN]	
90803	2		2,5	245
90811	4		7,0	970
90829	6		11,0	1750
90837	8		22,5	3310
90845	10		34,0	5970

Note:

These modular clamps can be supplemented with accessories just as you need to meet the requirements of your production equipment and fixtures.



Recommendations



No. 6809P,
page 17



No. 6811P,
page 15



No. 6812P,
page 16

Dimensions:

Order no.	Size	B2	B4	C	C1	C2	C3	F	G	H	H1	H2	H3	H4	L	R	R1	α
90803	2	6	31	30	22	14	12	32	M 6	52	18	34	5	90	58	5	10,0	190°
90811	4	10	52	44	26	19	16	41	M 8	88	38	50	12	142	82	8	15,0	190°
90829	6	12	60	55	36	28	20	55	M10	114	50	64	16	182	106	11	18,0	190°
90837	8	16	76	66	50	37	27	72	M12	140	64	76	19	218	135	14	22,5	190°
90845	10	20	90	80	52	40	22	77	M16	173	83	90	25	266	155	14	25,0	190°

Subject to technical alterations.



Manual toggle-clamp application, for example in chemical plant: reliability and long life are important features of our toggle clamps, the illustration shows no. 6830 horizontal acting toggle clamps.



Horizontal toggle clamp no. 6830 in application on a fixture for leak testing. In this case a component to the camshaft adjustment is mounted.

No. 6830

Horizontal acting toggle clamp

with open clamping arm and horizontal base.

Galvanized and passivated. Rivets made of stainless steel, which, for sizes 2 to 5, run in hardened bushings.

Bearings are pre-lubricated.

Ergonomic, oil-resistant handle with large grip surface and soft components. Lock washer for the thrust bolt at the end of the clamping arm.

Complete with tempered, galvanized clamping screw no. 6890.

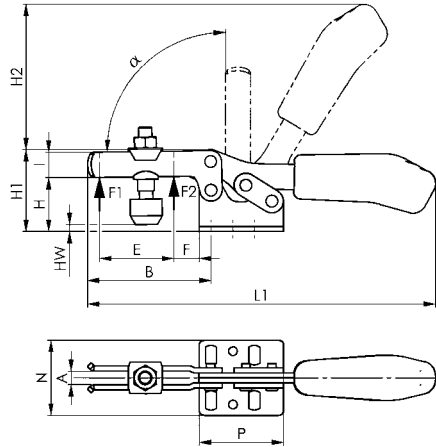


Order no.	Size	F1 [kN]	F2 [kN]	Clamping screw	Weight [g]
93005	0	0,25	0,4	M4x25	35
93013	1	0,8	1,1	M5x30	105
93021	2	1,0	1,2	M6x35	185
93039	3	1,8	2,5	M8x45	320
93047	4	2,0	3,0	M8x65	700
93054	5	3,0	5,0	M8x65	1080

Also available in „STAINLESS STEEL“ version (no. 6830NI) and in matte-black version (no. 6830B)!

Note:

For suitable sensor monitor for size 3 see no. 6897S.



Recommendations



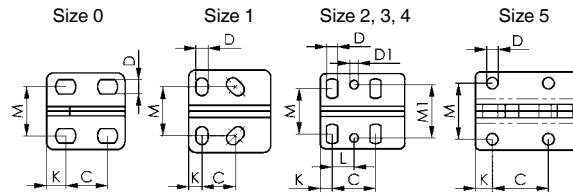
No. 6860,
page 26



No. 6897S,
page 106



No. 6830S,
page 43



Dimensions:

Order no.	Size	A	B	C	D	D1	E	F	H	H1	H2	HW min.	HW max.	I	K	L	L1	M	M1	N	P	α
93005	0	4	28	11,5-15,5	4,6	-	9,0	5,5	14,5	23,0	34	-5,5	0,0	7,5	6,3	-	79	16,0	-	25,0	25,5	90°
93013	1	5	42	13,0-14,5	5,2	-	18,7	8,0	19,0	30,0	49	-3,0	2,5	10,0	5,5	-	120	18,0-21,5	-	34,0	34,0	90°
93021	2	6	64	26,0	5,6	5,6	32,0	16,0	24,0	45,0	68	-1,5	5,0	13,2	6,0	12,7	162	19,5-29,5	28,5	42,0	38,0	90°
93039	3	8	73	25,7	6,5	5,1	38,0	14,0	32,0	48,5	86	-2,0	9,0	15,0	7,0	13,0	206	22,0-31,8	31,6	45,5	50,0	90°
93047	4	10	113	41,0	8,5	8,5	63,0	27,0	45,0	75,0	126	-4,0	24,0	20,0	8,0	20,5	287	29,0-43,0	43,0	58,0	57,0	90°
93054	5	10	123	41,5	8,5	-	78,0	16,0	46,0	73,0	128	+1,7	25,0	25,0	12,5	-	321	41,5	-	58,0	77,0	90°



Horizontal toggle clamp with sensor monitoring for automation solutions



Subject to technical alterations.

No. 68300

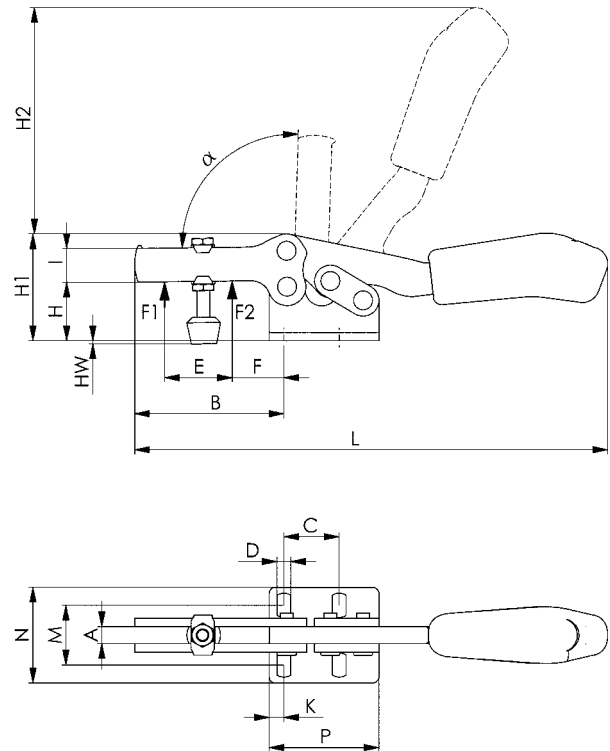
Horizontal acting toggle clamp plus

With increased clamping force, open clamping arm and horizontal base.

Galvanised and passivated. Stainless steel rivets. The bearings are pre-lubricated. Ergonomic, oil-resistant handle with large grip surface and soft components. Safety clamping piece with lock washer for the clamping screw at the end of the clamping arm.

Complete with tempered, galvanised clamping screw no. 68301.

Order no.	Size	F1 [kN]	F2 [kN]	Clamping screw	Weight [g]
552552	1	1,1	1,7	M5 x 35	114
551715	2	1,6	3,0	M6 x 50	450
551716	3	2,5	4,0	M8 x 58	560
551717	4	3,5	8,0	M10 x 76	1250



Recommendations



No. 68301,
page 108



No. 6830S,
page 43



No. 6800,
page 10

Dimensions:

Order no.	Size	A	B	C	D	E	F	H	H1	H2	HW min.	HW max.	I	K	L	M	N	P	α
552552	1	5	46	13,5	4,3	20	16,5	19,0	35	46	0	10,0	12	6,0	126	15,0 - 19,5	27,5	34,0	90°
551715	2	8	71	26,0	6,5	39	14,0	28,0	51	108	-1	12,0	16	7,0	224	23,5 - 34,0	46,0	52,0	90°
551716	3	8	78	26,0	6,5	43	22,0	33,5	58	112	-1	13,0	18	6,5	242	25,5 - 36,0	47,0	52,5	90°
551717	4	10	120	41,5	8,6	69	23,0	41,0	77	135	-2	16,5	24	10,5	329	34,5 - 45,0	60,0	76,0	90°

CAD



Subject to technical alterations.

No. 6832

Horizontal acting toggle clamp

with open clamping arm and vertical base.

Galvanized and passivated. Rivets made of stainless steel, which, for sizes 2 to 5, run in hardened bushings.

Bearings are pre-lubricated.

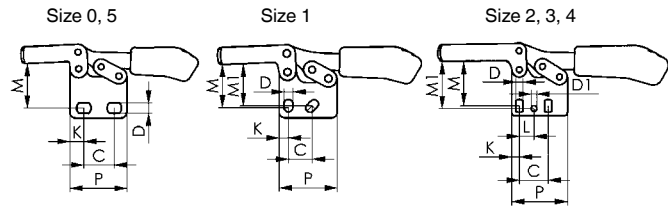
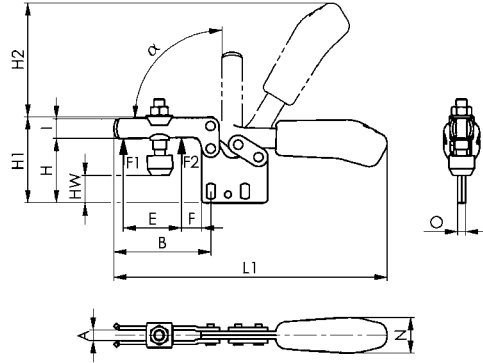
Ergonomic, oil-resistant handle with large grip surface and soft components. Lock washer for the thrust bolt at the end of the clamping arm.

Complete with tempered, galvanized clamping screw no. 6890.



Order no.	Size	F1 [kN]	F2 [kN]	Clamping screw	Weight [g]
93203	0	0,25	0,4	M4x25	35
93211	1	0,8	1,1	M5x30	105
93229	2	1,0	1,2	M6x35	185
93237	3	1,8	2,5	M8x45	320
93245	4	2,0	3,0	M8x65	700
93252	5	3,0	5,0	M8x65	1080

Also available in matte-black version (no. 6832B)!



Recommendations



No. 6890,
page 112



No. 6802,
page 11



No. 6832S,
page 43

Dimensions:

Order no.	Size	A	B	C	D	D1	E	F	H	H1	H2	HW min.	HW max.	I	K	L	L1	M	M1	N	O	P	α
93203	0	4	28	11,5-15,5	4,6	-	9,0	5	24,5	33,0	34	4,7	10,7	7,5	6,3	-	79	20,0	-	12	3	25,5	90°
93211	1	5	42	13,0-14,5	5,2	-	18,5	8	31,5	43,0	49	8,0	15,0	10,0	5,5	-	120	23,5-25,5	24,5	18	5	34,0	90°
93229	2	6	64	26,0	5,6	5,6	32,0	16	40,0	61,0	68	15,0	22,0	13,2	6,0	12,7	164	29,5-34,0	34,0	21	5	38,0	90°
93237	3	8	73	25,7	6,5	5,1	38,5	14	49,0	65,0	86	14,5	26,0	15,0	7,0	13,0	206	37,5-42,5	42,0	27	6	50,0	90°
93245	4	10	113	41,0	8,5	8,5	63,0	27	66,5	97,0	115	17,5	46,0	20,0	8,0	20,5	287	52,0-59,0	59,0	34	8	57,0	90°
93252	5	10	123	41,5	8,5	-	78,0	16	65,0	92,5	128	21,5	45,0	25,0	12,5	-	321	57,0	-	36	10	77,0	90°



Subject to technical alterations.

No. 6834

Horizontal acting toggle clamp

with solid arm and horizontal base.

Galvanized and passivated.

Stainless steel rivets, which run in hardened bushes.

Bearings are pre-lubricated.

Ergonomic, oil-resistant handle with large grip surface and soft components.

Complete with tempered, galvanized clamping screw no. 6885 and sleeve to weld on.

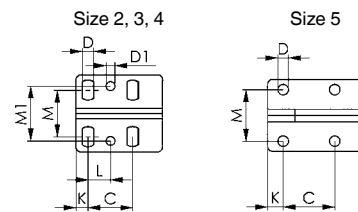
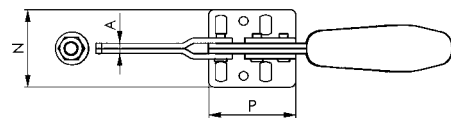
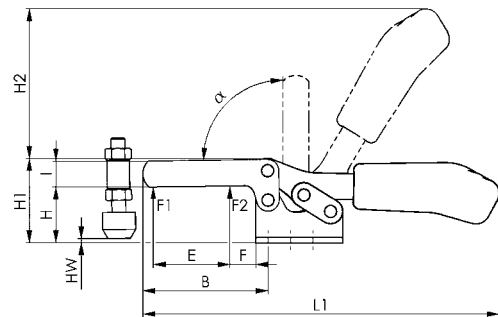


CAD

Order no.	Size	F1 [kN]	F2 [kN]	Clamping screw	Weight [g]
93427	2	1,0	1,2	M 6x35	185
93435	3	1,8	2,5	M 8x45	320
93443	4	2,0	3,0	M 8x65	700
93450	5	3,0	5,0	M12x80	1080

Note:

For suitable sensor monitor for size 3 see no. 6897S.



Recommendations



No. 6886,
page 111



No. 6804,
page 13



No. 6834S,
page 44

Dimensions:

Order no.	Size	A	B	C	D	D1	E	F	H	H1	H2	HW min.	HW max.	I	K	L	L1	M	M1	N	P	α
93427	2	5	63	26,0	5,6	5,6	35	16,0	24	45,0	66	-2,0	7,5	13	6,0	12,7	161	19,5-29,5	28,5	42	38	90°
93435	3	6	72	26,0	6,5	5,1	44	15,0	32	48,5	86	-3,5	11,0	15	7,0	13,0	205	22,0-31,8	32,0	45,5	50	90°
93443	4	8	111	41,0	8,5	8,5	66	26,0	45	75,0	114	-6,0	22,0	20	8,0	20,5	280	29,0-43,0	43,0	58	57	90°
93450	5	10	121	41,5	8,5	-	78	17,5	46	73,0	128	-13,0	12,5	25	12,5	-	320	41,5	-	58	77	90°

Subject to technical alterations.

No. 6833

Horizontal acting toggle clamp

with open clamping arm and angle base.

Galvanized and passivated. Rivets made of stainless steel, which, for sizes 2 and 3, run in hardened bushings.

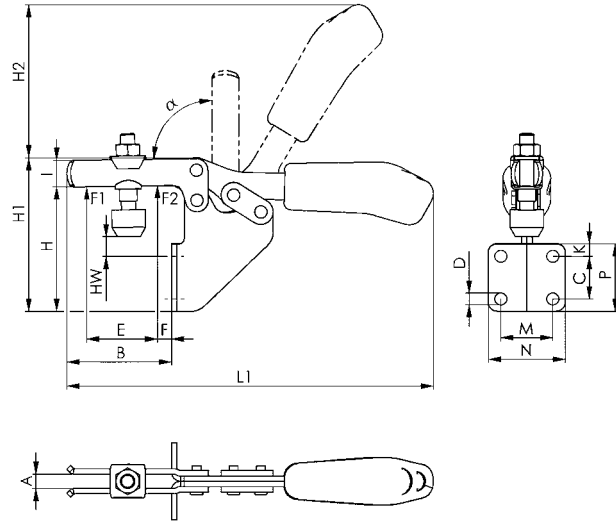
Bearings are pre-lubricated.

Ergonomic, oil-resistant handle with large grip surface and soft components. Lock washer for the thrust bolt at the end of the clamping arm.

Complete with tempered, galvanized clamping screw no. 6890.



Order no.	Size	F1 [kN]	F2 [kN]	Clamping screw	Weight [g]
93179	1	0,8	1,1	M5x30	170
93328	2	1,0	1,2	M6x35	245
93336	3	1,8	2,5	M8x45	390
93542	4	2,0	3,0	M8x65	730



Recommendations



No. 6896,
page 112



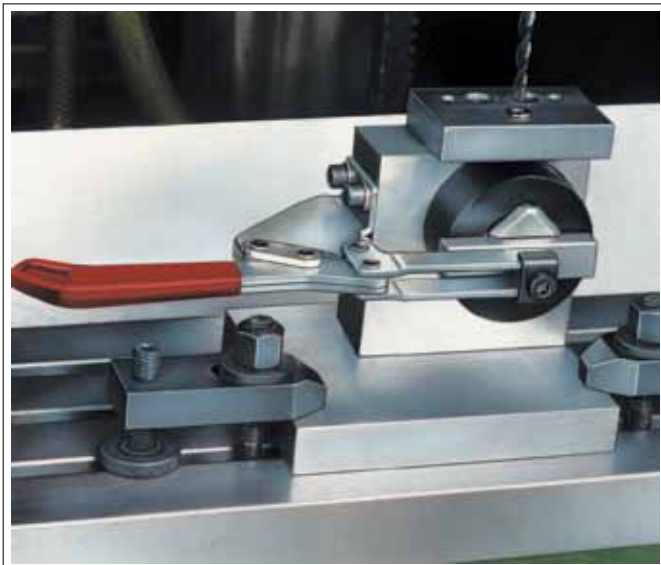
No. 6895,
page 113



No. 6830,
page 20

Dimensions:

Order no.	Size	A	B	C	D	E	F	H	H1	H2	HW min.	HW max.	I	K	L1	M	N	P	α
93179	1	5,0	32	13,5	5,2	18,5	4,0	57	68,0	49	14	20,0	10,0	8	120	19,0	31,0	28	90°
93328	2	6,2	52	20,0	5,6	32,0	10,5	73	94,0	68	22	29,5	13,2	6	162	25,5	37,0	32	90°
93336	3	8,0	59	24,0	6,8	37,0	6,5	70	86,5	86	5	16,0	15,0	7	206	28,5	42,5	38	90°
93542	4	10,0	93	32,0	8,5	63,0	15,0	102	133,0	120	11	40,0	20,0	40	282	32,0	52,0	82	90°



Subject to technical alterations.

No. 6837M

Horizontal acting toggle clamp

For removable handle.

To prevent interference during use, the handle can be removed after opening or closing this horizontal acting toggle clamp.

With open clamping arm and horizontal base. Galvanized and passivated. Stainless steel rivets.

The bearings are pre-lubricated.

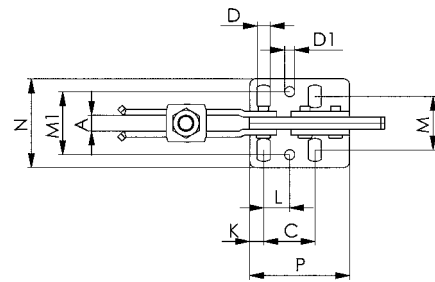
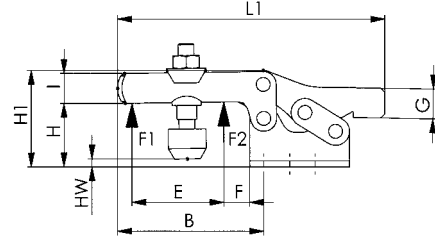
Handle 6837H is not included in delivery and needs to be ordered separately.

Complete with tempered, galvanized clamping screw no. 6890.



CAD

Order no.	Size	F1 [kN]	F2 [kN]	Clamping screw	Weight [g]
93948	2	1,0	1,2	M6 x 35	160
94201	3	1,8	2,5	M8 x 45	269
94268	4	2,0	3,0	M8 x 65	608



Recommendations



No. 6830S,
page 43



No. 6896,
page 112



No. 6895,
page 113

Dimensions:

Order no.	Size	A	B	C	D	D1	E	F	G	H	H1	HW min.	HW max.	I	K	L	L1	M	M1	N	P	α
93948	2	6	64	26,0	5,6	5,6	32	16	12	24	45,0	-1,5	5	13,2	6	12,7	113	19,5 - 29,5	28,5	42,0	38	90°
94201	3	8	73	25,7	6,5	5,1	38	14	15	32	48,5	-2,0	9	15,0	7	13,0	134	22,0 - 31,8	31,6	45,5	50	90°
94268	4	10	113	41,5	8,5	8,5	63	27	15	45	75,0	-4,0	24	20,0	8	20,5	191	29,0 - 43,0	43,0	58,0	57	90°

No. 6837H

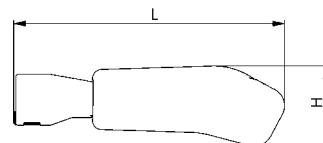
Handle, removable

For horizontal acting toggle clamp no. 6837M.



CAD

Order no.	Size	H	L	N	Weight [g]
94144	2	26	93,0	21,0	70
94284	3	35	118,5	27,0	122
94292	4	42	134,5	34,5	195



POSITIONING AND CLAMPING AT THE SAME TIME AND IN ONE OPERATION

The benefits at a glance:

- > Positioning and clamping in one operation
- > Robust and stable design
- > Workpiece easy to remove thanks to the fully retracted clamping arm
- > Optimised quality consistent with the AMF quality standard

Precise positioning and reliable clamping of individual components are of paramount importance when welding fixtures. In practice, this is guaranteed through the simultaneous use of rods and vertical toggle clamps, or by one's own complex design. The AMF Combiclamp accomplishes these two tasks in one operation, eliminating the need to use different toggle clamps. The sliding block guide on the Combiclamp converts the motion of the lever arm into a horizontal and vertical clamping movement, through which the workpiece is positioned and clamped at the same time. See for yourself the saving potential of using the new AMF Combiclamp!

PRESENT FIXTURE:



SET-UP WITH AMF-COMBICLAMP:



No. 6860

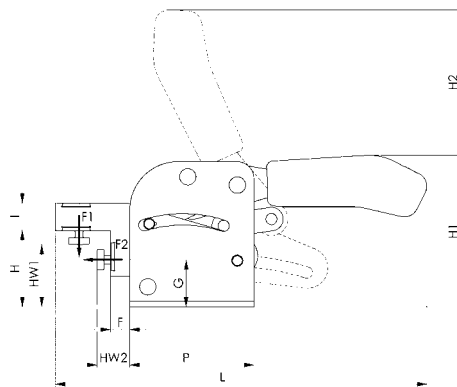
Combination clamp

Galvanized and passivated.
Rivets made of stainless steel which run in hardened bushings. Bearings are pre-lubricated.
Ergonomic, oil-resistant handle with large grip surface and soft components.

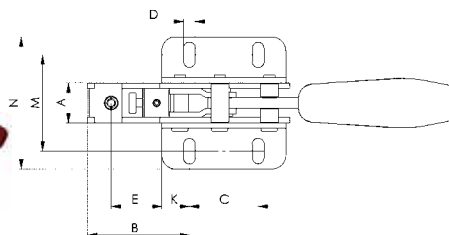


CAD

Order no.	Size	F1 [kN]	F2 [kN]	Weight [g]
93831	1	1,0	1,0	340
93880	2	2,0	2,0	700
93864	3	3,0	3,0	1620



Recommendations



Dimensions:

Order no.	Size	A	B	C	D	E	F	G	H	H1	H2	HW1 min.	HW1 max.	HW2 min.	HW2 max.	I	K	L	M	N	P
93831	1	17,0	33	40	5,5	15	0,5	22	36,0	74	62	25	32	5	10	12	7,5	150	34,5-39,5	53	55
93880	2	19,5	56	50	6,5	32	9,0	28	46,0	94	87	30	40	14	24	16	12,5	219	48,5-61,5	75	75
93864	3	29,0	74	50	8,5	37	14,0	34	55,5	110	106	40	50	20	30	20	20,0	270	60,0-80,0	96	90

Subject to technical alterations.

No. 6841

Push-pull type toggle clamp

with small angle base. For push- and pull-clamping.
(Equal operation of rod and lever).

Long rod-guide with attaching thread and nut. Galvanized and passivated. Rivets made of stainless steel, which, for sizes 2 and 3, run in hardened bushings. Lever-parts and rod of tempered steel. Bearings are pre-lubricated. Lever can be set to any angle relative to base. Ergonomic, oil-resistant handle with large grip surface and soft components.

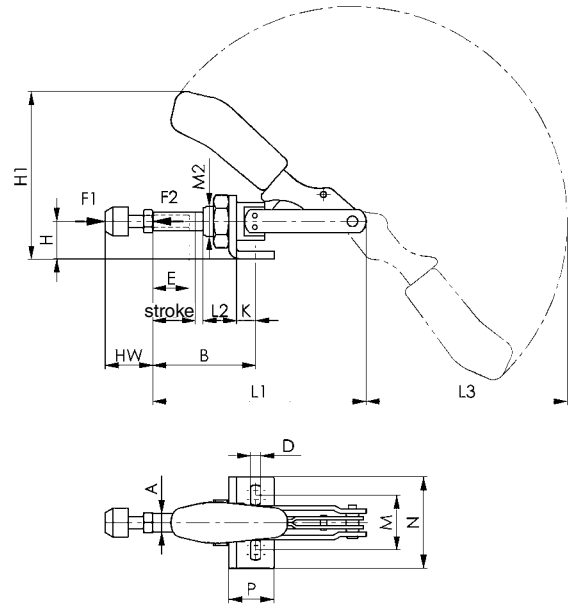
Complete with tempered, galvanized clamping screw no. 6880.



CAD

Order no.	Size	F1 [kN]	F2 [kN]	Clamping screw	Weight [g]
94094	0	0,8	0,8	M 4x20	65
94110	1	1,0	1,0	M 4x20	125
94128	2	2,0	2,0	M 6x25	245
94136	3	2,5	2,5	M 8x35	445
94151	5	4,5	4,5	M12x50	880
94367	5-M27	4,5	4,5	M12x50	900

Also available in „STAINLESS STEEL“ version (no. 6841NI) and in matte-black version (no. 6841B)!



Recommendations



No. 6844,
page 29



No. 6845,
page 30



No. 6842,
page 31

Dimensions:

Order no.	Size	A	B min.	B max.	D	E	H	H1	Stroke	HW min.	HW max.	K	L1	L2	L3	M	M2	N	P
94094	0	6,5	17,0	33,0	4,5	13	12	49,3	16	12	20	6,5	66,5	10	54,0	16,0	M10x1,0	25	16
94110	1	8,0	24,5	44,5	4,5	20	15	60,5	20	12	20	7,0	91,0	16	74,0	16,0-19,5	M12x1,5	30	20
94128	2	10,0	32,5	58,5	5,6	20	20	85,5	26	17	25	12,5	114,0	19	105,0	31,8-36,0	M16x1,5	50	34
94136	3	12,0	37,0	69,0	6,5	30	25	108,0	32	22	35	13,0	140,0	22	127,5	29,5-42,5	M20x1,5	60	30
94151	5	16,0	41,5	81,5	8,5	50	30	129,5	40	30	50	15,5	171,5	25	158,0	29,0-46,0	M24x1,5	65	35
94367	5-M27	16,0	41,5	81,5	8,5	50	30	129,5	40	30	50	15,5	171,5	25	158,0	29,0-46,0	M27x2,0	65	35



No. 6840

Push-pull type toggle clamp

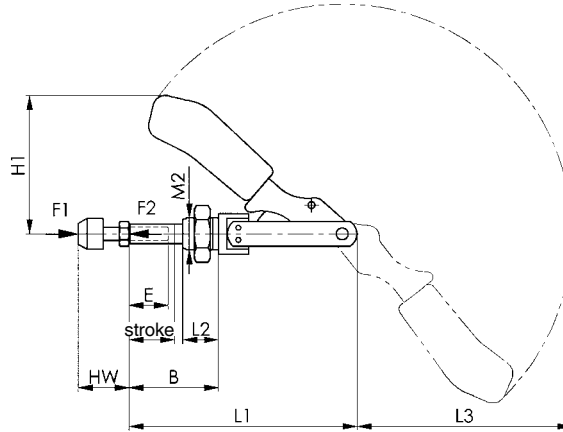
without angle base. For push- and pull-clamping.
(Equal operation of rod and lever).

Long rod-guide with attaching thread and nut. Galvanized and passivated. Rivets made of stainless steel, which, for sizes 2 and 3, run in hardened bushings. Lever-parts and rod of tempered steel. Bearings are pre-lubricated. Push-pull toggle clamp with threaded front for direct mounting in vertical metal plates or in fixtures. Ergonomic, oil-resistant handle with large grip surface and soft components.

Complete with tempered, galvanized clamping screw no. 6880.



Order no.	Size	F1 [kN]	F2 [kN]	Clamping screw	Weight [g]
93906	0	0,8	0,8	M 4x20	60
93914	1	1,0	1,0	M 4x20	100
93922	2	2,0	2,0	M 6x25	245
93930	3	2,5	2,5	M 8x35	330
93955	5	4,5	4,5	M12x50	700
94359	5-M27	4,5	4,5	M12x50	720



Recommendations



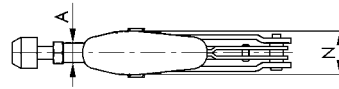
No. 6843,
page 30



No. 6841,
page 27

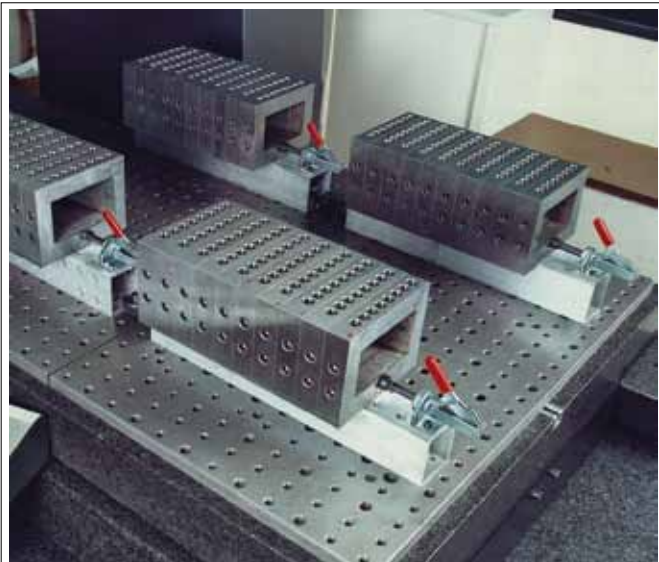


No. 6840S,
page 44



Dimensions:

Order no.	Size	A	B min.	B max.	E	H1	Stroke	HW min.	HW max.	L1	L2	L3	M2	N
93906	0	6,5	10,5	26,5	13	37,0	16	12	20	66,5	10	54	M10x1,0	15,0
93914	1	8,0	17,5	37,5	20	45,5	20	12	20	91,0	16	74	M12x1,5	18,0
93922	2	10,0	20,0	46,0	20	66,0	26	17	25	114,0	19	105	M16x1,5	22,0
93930	3	12,0	24,0	56,0	30	82,5	32	22	35	140,0	22	127	M20x1,5	27,0
93955	5	16,0	26,5	66,5	50	99,0	40	30	50	171,5	25	158	M24x1,5	34,5
94359	5-M27	16,0	26,5	66,5	50	99,0	40	30	50	171,5	25	158	M27x2,0	34,5



Subject to technical alterations.

No. 6844

Push-pull type toggle clamp

short version. For push- and pull-clamping.
 Long rod-guide with attaching thread and nut.
 Galvanized and passivated. Stainless steel rivet. Shoulder screws tempered. Bearings are pre-lubricated.
 Ergonomic, oil-resistant handle with large grip surface and soft components.

Complete with tempered, galvanized clamping screw no. 6880.

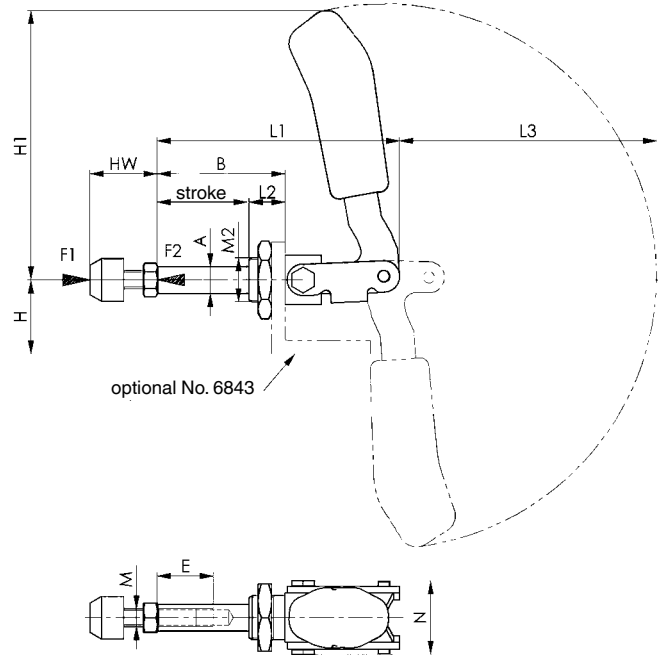


Order no.	Size	F1 [kN]	F2 [kN]	Clamping screw	Weight [g]
94300	2	1,0	1,0	M 6x25	130
94318	3	2,5	2,5	M 8x35	320
94334	5	4,0	4,0	M12x50	1200
92676	5-M27	4,0	4,0	M12x50	1200

Also available in „STAINLESS STEEL“ version (no. 6844NI).

Application:

Toggle for direct fit up in metal plates or fixtures, using its front attaching thread or by means of solid base angle no. 6843.



Recommendations



No. 6843,
page 30



No. 6860,
page 26

Dimensions:

Order no.	Size	A	B	E	H	H1	Stroke	HW min.	HW max.	L1	L2	L3	M	M2	N
94300	2	10	36	15	24	73	21,5	17	25	68,5	13	68	M6	M16x1,5	30,5
94318	3	12	57	25	33	123	40,0	22	35	108,0	16	115	M8	M20x1,5	33,0
94334	5	16	92	45	37	149	67,0	30	50	175,0	24	139	M12	M24x1,5	49,0
92676	5-M27	16	92	45	37	149	67,0	30	50	175,0	24	139	M12	M27x2,0	49,0

No. 6843

Angle base, solid

for no. 6840 and no. 6844.

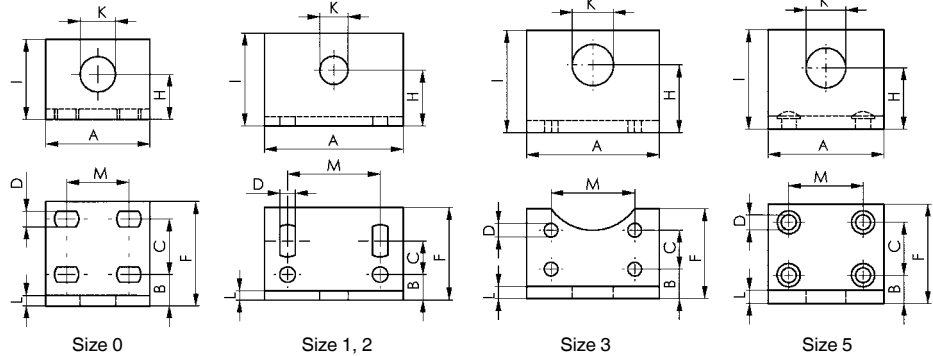
Increased range of application due to enlarged height of center line. Fastening by means of 4 screws.



CAD

Order no.	Size	A	B	C	D	F	H	I	K	L	M	Weight [g]
94003	0	30	9,0	16,0	4,5	30	13	23	10,2	3	15,5-20,5	35
94011	1	60	11,0	11-18	6,7	40	24	40	12,2	4	40,0	135
94029	2	60	11,0	11-18	6,7	40	24	40	16,2	5	40,0	160
94037	3	65	14,5	19,0	6,7	44	33	50	20,2	6	41,0	235
94052	5	70	17,0	32,0	9,0	60	37	60	24,0	8	45,0	450
94391	5-M27	70	17,0	32,0	9,0	60	37	60	27,0	8	45,0	440

Also available in „STAINLESS STEEL“ version (no. 6843NI).



Recommendations



No. 6845

Push-pull type toggle clamp

Push-type clamp.

(Opposed operation of rod and lever). Version with long rod-guide. Base of malleable casting, varnished. Toggle parts and push rod are heat-treated steel, galvanized and passivated. Stainless steel rivets, which run in hardened bushes. Bearings are pre-lubricated. Ergonomic, oil-resistant handle with large grip surface and soft components.

Complete with tempered, galvanized clamping screw no. 6880-3.

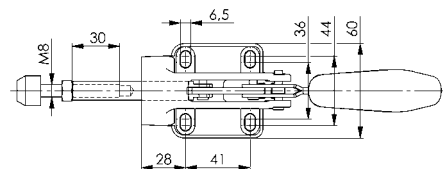
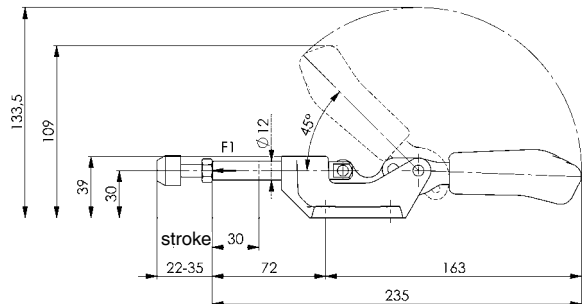


CAD

Order no.	Size	F1 [kN]	Clamping screw	Weight [g]
94243	3	4	M8x35	540

Advantage:

- Low height in clamped position
- Compatible with AMF push-pull toggle clamp no. 6842-3



Recommendations



Subject to technical alterations.

No. 6842

Heavy push-pull type toggle clamp

For push- and pull-clamping.

(Equal operation of rod and lever).

Heavy-duty version with long rod-guide. Base of malleable casting, varnished. Toggle parts and push rod are heat-treated steel, galvanized and passivated. Rivets made of stainless steel, which, for size 3, run in hardened bushings.

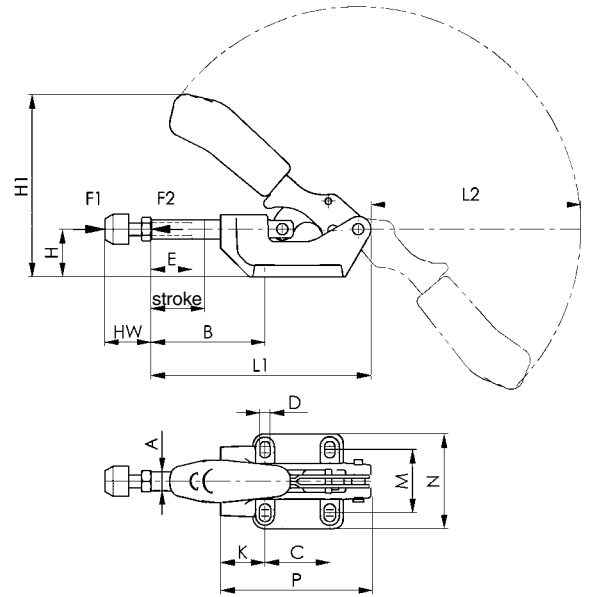
Bearings are pre-lubricated.

Ergonomic, oil-resistant handle with large grip surface and soft components for size 3 and 5.

Complete with tempered, galvanized clamping screw no. 6880.



Order no.	Size	F1 [kN]	F2 [kN]	Clamping screw	Weight [g]
94235	3	4	4	M 8x35	540
94250	5	10	10	M12x50	1115
94276	7	25	25	M12x50	2840



Recommendations



No. 6841,
page 27



No. 6842PL,
page 33



No. 6860,
page 26

Dimensions:

Order no.	Size	A	B min.	B max.	C	D	E	H	H1	Stroke	HW min.	HW max.	K	L1	L2	M	N	P
94235	3	12	40	72	41	6,5	30	30	116,0	32	22	35	28	139	135	36-44	60	95
94250	5	16	58	98	41	8,5	50	38	137,5	40	30	50	45	174	156	41-50	71	121
94276	7	22	59	105	70	11,0	50	55	179,0	50	30	50	45	218	192	57-65	93	158



Subject to technical alterations.

No. 6842PK

Heavy push-pull type toggle clamp

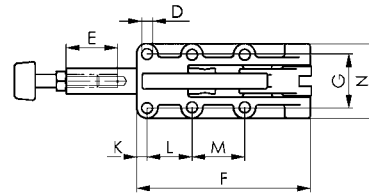
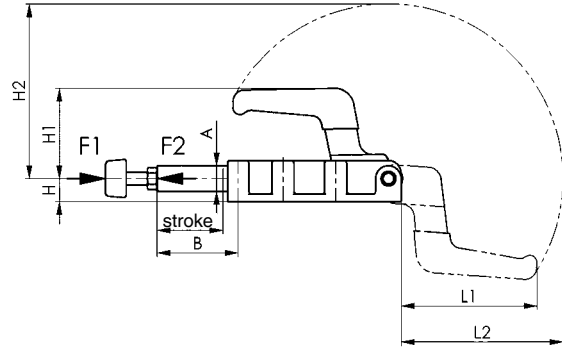
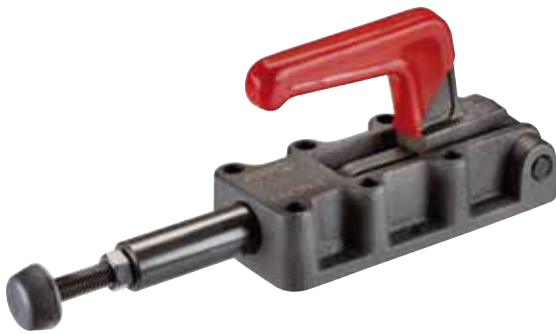
with solid lever. For push- and pull-clamping.
(Equal operation of rod and lever).

Heavy-duty version with long rod-guide. Base of malleable casting, burnished. Hardened pins. Lever-parts and rod of tempered steel, burnished. Handle made of red, oil-resistant plastic.

Complete with tempered, galvanized clamping screw no. 6880.



Order no.	Size	F1 [kN]	F2 [kN]	Clamping screw	Weight [g]
92544	4	7	7	M 8x35	590
92569	5	12	12	M10x50	1650
92585	7	25	25	M12x50	4150
92601	8	45	45	M16x80	7420



Recommendations



No. 6800,
page 10



No. 6811P,
page 15



No. 6842PL,
page 33

Dimensions:

Order no.	Size	A	B	D	E	F	G	H	H1	H2	Stroke	K	L	L1	L2	M	N
92544	4	14	63	5,5	30	90	33,3	12	42,5	96	32	25,0	36,5	69,0	88,0	-	47
92569	5	20	63	8,5	50	137	41,0	18	70,0	136	50	8,0	35,0	105,0	126,0	41	58
92585	7	25	114	10,5	50	198	54,0	22	93,5	196	75	12,0	45,0	151,5	183,5	45	84
92601	8	30	149	10,5	60	254	57,0	28	111,5	247	106	14,5	70,0	196,0	232,0	70	86

No. 6842PL

Heavy push-pull type toggle clamp

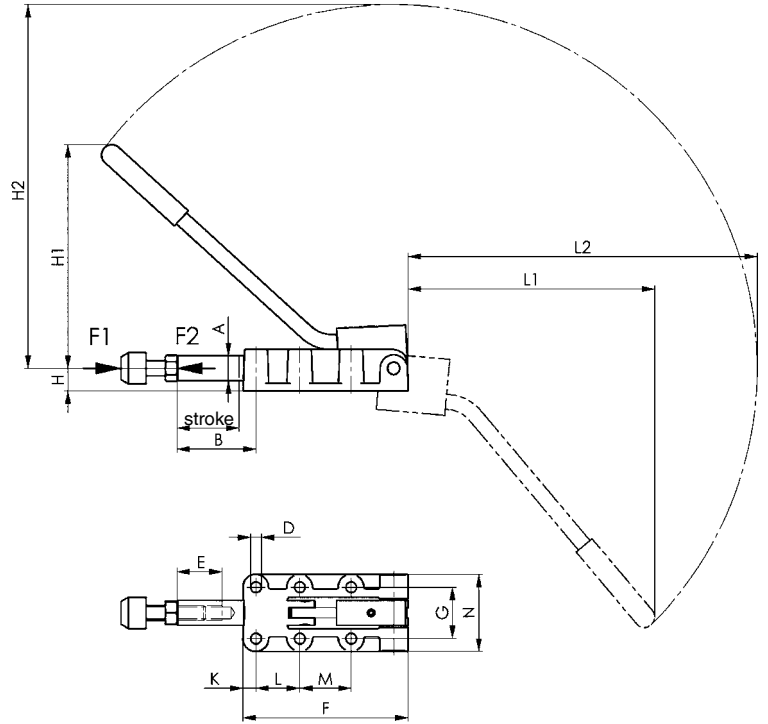
with reversible lever. For push- and pull-clamping.
(Equal operation of rod and lever).

Heavy-duty version with long rod-guide. Base of malleable casting, burnished. Hardened pins. Lever parts and rod made of tempered steel, burnished. Zinc-coated and passivated lever with handle made of red oil-resistant plastic.

Complete with tempered, galvanized clamping screw no. 6880.



Order no.	Size	F1 [kN]	F2 [kN]	Clamping screw	Weight [g]
92627	4	7	7	M 8x35	650
92643	5	12	12	M10x50	1600
92668	7	25	25	M12x50	4280
92684	8	45	45	M16x80	7720



Recommendations



No. 6830,
page 20



No. 6842,
page 31



No. 6842PK,
page 32

Dimensions:

Order no.	Size	A	B	D	E	F	G	H	H1	H2	Stroke	K	L	L1	L2	M	N
92627	4	14	63	5,5	30	90	33,3	12	115,0	190,0	32	25,0	36,5	128	182	-	47
92643	5	20	63	8,5	50	137	41,0	18	178,5	290,5	50	8,0	35,0	197	279	41	58
92668	7	25	114	10,5	50	198	54,0	22	246,0	392,0	75	12,0	45,0	267	374	45	84
92684	8	30	149	10,5	60	254	57,0	28	323,0	523,0	106	14,5	70,0	365	501	70	86

No. 6847

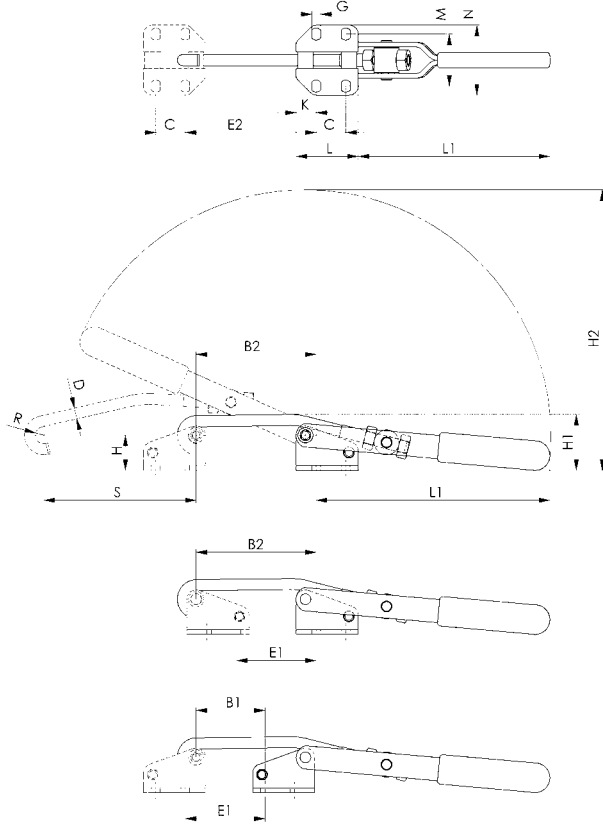
Hook type toggle clamp

Galvanized and passivated. Bushes case hardened and greased; rivets of stainless steel. Hook and clamping sleeve tempered. Handle made of red, oil-resistant plastic. Ergonomic, oil-resistant handle with large grip surface and soft components for size 1.



Order no.	Size	F1 [kN]	Adjustm. distance [mm]	Weight [g]
94524	1	2	8	100
94540	3	3	12	270
94565	5	5	14	850

Also available in „STAINLESS STEEL“ version (no. 6847NI).



Recommendations



No. 6847S,
page 45



No. 6848H,
page 36

Dimensions:

Order no.	Size	B1	B2	C	D	E1	E2	G	H	H1	H2	K	L	L1	M	N	R	S
94524	1	16-23	35-42	19	5,30	17-24	35-42	4,5	22,7	34,5	111	6	31	62,6	26,0-30,0	40	4,5	45
94540	3	32-44	65-77	19	7,10	39-51	72-84	5,5	22,7	36,0	181	13	40	123,5	31,5-35,5	45	5,5	98
94565	5	26-40	57-71	29	10,75	27-42	58-73	11,2	49,0	69,0	282	13	55	189,5	55,5-63,0	85	8,0	147

No. 6847G

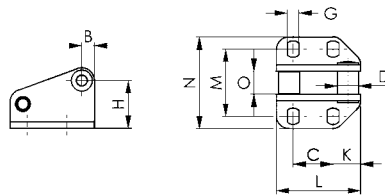
Counter catch

for no. 6847. Galvanized and passivated. Bushes case hardened; rivet of stainless steel.



Order no.	Size	Height [mm]	Length [mm]	Weight [g]
94623	1	29	31	40
94649	3	29	40	70
94664	5	61	55	320

Also available in „STAINLESS STEEL“ version (no. 6847GNI).



Dimensions:

Order no.	Size	B	C	D	G	H	K	L	M	N	O
94623	1	6	19	8	4,5	22,7	6	31	26,0-30,0	40	6,9
94649	3	6	19	10	5,5	22,7	13	40	31,3-35,8	45	10,9
94664	5	12	29	15	11,2	49,1	13	55	56,5-64,0	86	13,8

Subject to technical alterations.

No. 6847K

Hook type toggle clamp

for cylindrical mounting surfaces.
Galvanized and passivated. Case-hardened, pre-lubricated, continuous bearing bushes. Stainless steel rivets. Tempered hook and clamping sleeve. Handle made of red, oil-resistant plastic. Use socket cap screws to ISO 4762 (DIN 912) for mounting.



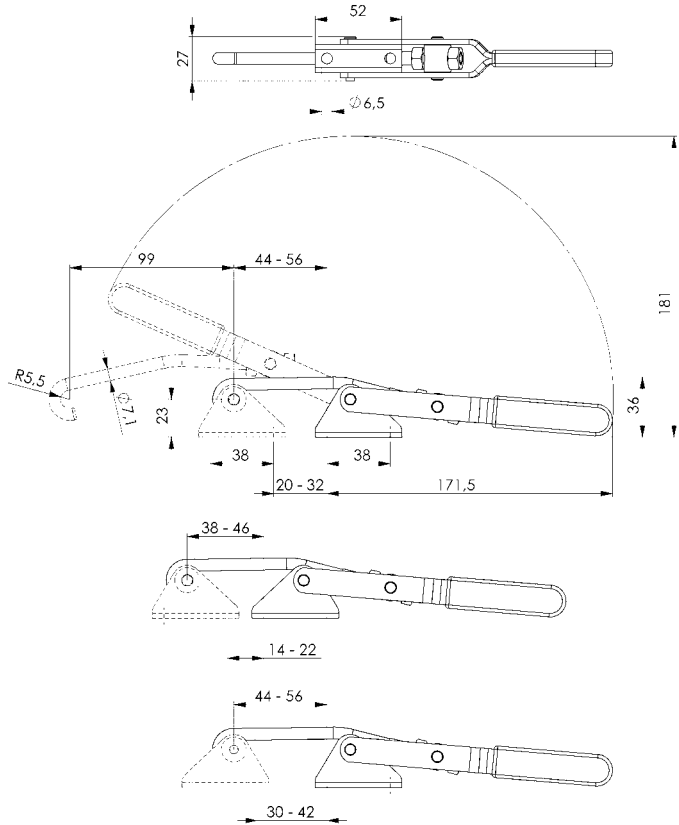
CAD

Order no.	Size	F1 [kN]	Adjustm. distance [mm]	Weight [g]
94680	3	3	22	270

Also available in „STAINLESS STEEL“ version (no. 6847KNI).

Note:

The range of movement can be adjusted by swiveling the base and repositioning the catch.



Recommendations



No. 6847S,
page 45



No. 6849PH,
page 38

No. 6847GK

Counter catch

for cylindrical mounting surfaces.
For hook-type toggle clamp no. 6847K. Galvanized and passivated. Case-hardened, continuous bush. Stainless steel rivet. Use socket cap screws to ISO 4762 (DIN 912) for mounting.



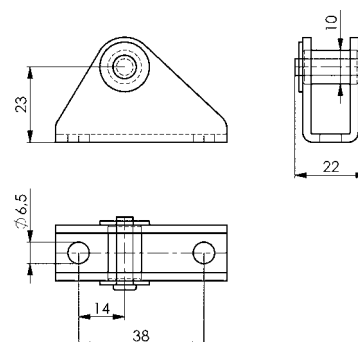
CAD

Order no.	Size	Height [mm]	Length [mm]	Weight [g]
94672	3	32	52	65

Also available in „STAINLESS STEEL“ version (no. 6847GKNI).

Note:

The adjustment range of the clamp can be increased by turning the counter catch.



No. 6848H

Hook type toggle clamp horizontal

Galvanized and passivated.

Stainless steel rivets, which run in hardened bushes.

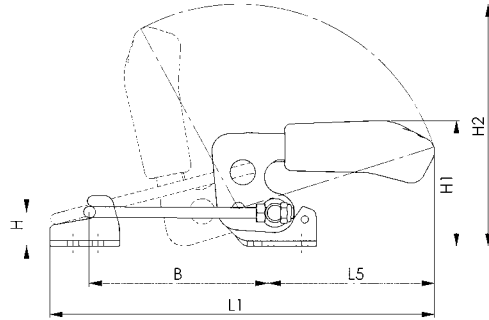
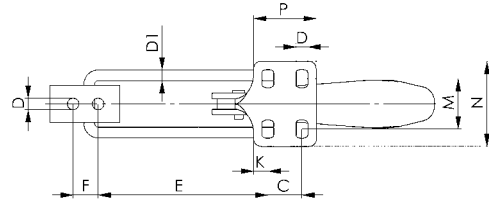
Tempered hook. Bearings are pre-lubricated. Ergonomic, oil-resistant handle with large grip surface and soft components.

Supplied complete with counter catch.



Order no.	Size	F1 [kN]	Weight [g]
94698	2	1,6	120
94706	3	3,2	330
94714	4	7,0	810

Also available in „STAINLESS STEEL“ version (no. 6848HNI).



Recommendations



No. 6847SU,
page 45



No. 6848V,
page 37

Dimensions:

Order no.	Size	B min.	B max.	C	D	D1	E min.	E max.	F	H	H1	H2	K	L1 min.	L1 max.	L5	M	N	P
94698	2	42,0	76	13	5,2	4	38,0	72	11	12	47,0	99,0	6,4	125	159	69	19,5-23,5	38,0	26,0
94706	3	53,5	101	19	6,5	6	48,6	96	14	19	70,0	135,5	8,0	169	216	93	24,5-32,0	48,0	35,0
94714	4	66,0	130	32	8,5	8	59,0	123	19	26	94,5	171,5	9,5	209	273	111	35,0-46,0	64,3	53,5

No. 6848V

Hook type toggle clamp vertical

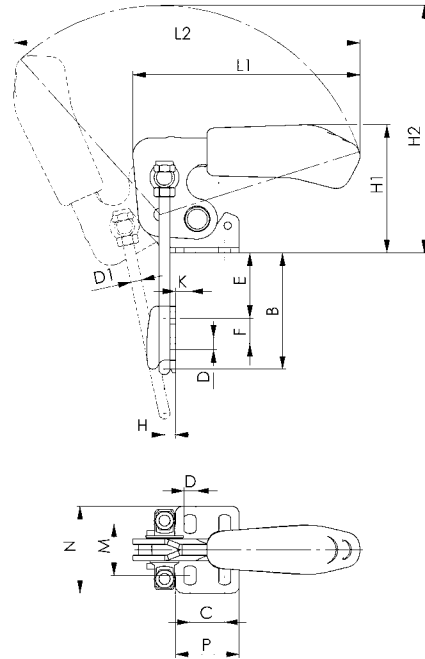
Galvanized and passivated.
 Stainless steel rivets, which run in hardened bushes.
 Tempered hook. Bearings are pre-lubricated. Ergonomic, oil-resistant handle with large grip surface and soft components.
Supplied complete with counter catch.



CAD

Order no.	Size	F1 [kN]	Weight [g]
94755	2	1,6	130
94763	3	3,2	340
94771	4	7,0	810

Also available in „STAINLESS STEEL“ version (no. 6848VNI).



Recommendations



No. 6847,
page 34



No. 6848H,
page 36



No. 6849PH,
page 38

Dimensions:

Order no.	Size	B min.	B max.	C	D	D1	E min.	E max.	F	H	H1	H2	K	L1	L2	M	N	P
94755	2	24,0	49	13	5,2	4	5	30	11	4,5	47,0	99	6,4	91	158	19,5-23,5	38,0	26,0
94763	3	34,5	64	19	6,5	6	7	36	14	6,0	70,0	136	8,0	125	190	24,5-32,0	48,0	35,0
94771	4	43,0	81	32	8,5	8	9	47	19	8,0	94,5	168	9,5	151	239	35,0-46,0	64,5	53,5

No. 6849PH

Heavy hook type toggle clamp

for high retaining force.

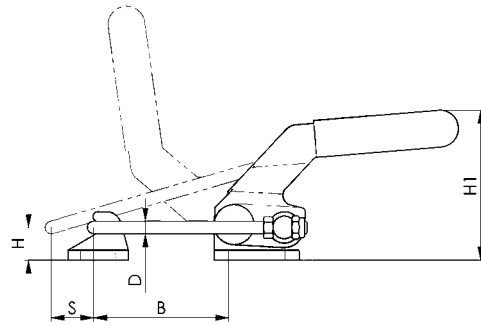
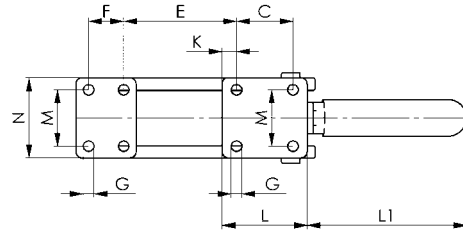
Pins hardened, ground and permanently-lubricated.

Circlips are used to retain pins in bearing bushes, and to centre the clamping pin. Foot, lever arm and catch are made of cast steel and blued. Stirrup, pins and nuts are heat-treated and zinc-plated. Handle grip is red, oil-resistant plastic.

Supplied complete with counter catch.



Order no.	Size	F1	Adjustm. distance	Weight
		[kN]	[mm]	
93849	4	15	66	2830
93856	5	27	65	4020



Recommendations



No. 6847K,
page 35



No. 6848H,
page 36



No. 6811P,
page 15

Dimensions:

Order no.	Size	B	C	D	E	F	G	H	H1	K	L	L1	M	N	S
93849	4	42-107	45	10	24-90	28	8,5	26	122	12,0	68	130	45	64	44
93856	5	49-114	57	12	28-93	35	10,5	32	146	12,5	86	164	57	82	47



Subject to technical alterations.

THE ADVANTAGES OF THE SAFETY LATCH

The patented safety latch will hold the clamping arm of a manual clamp in both the closed and open positions, so that it is protected against unintentional opening or closing through vibration or if the clamp is mounted overhead.

A clear argument for safety in the workplace!



No. 6800S

Vertical toggle clamp with safety latch

for open and clamped positions.

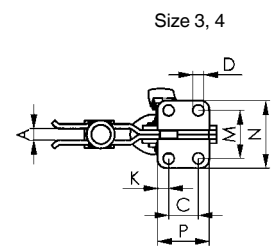
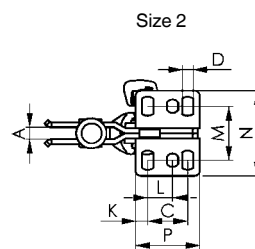
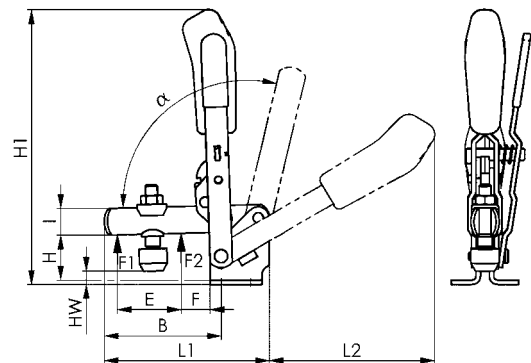
With open clamping arm and horizontal base.

Galvanized and passivated. Stainless steel rivets, which run in hardened bushes. Bearings are pre-lubricated. Ergonomic, oil-resistant handle with large grip surface and soft components. Safety clamping piece with finger protection. Lock washer for the thrust bolt at the end of the clamping arm. **Complete with tempered, galvanized clamping screw no. 6890.**



CAD

Order no.	Size	F1 [kN]	F2 [kN]	Clamping screw	Weight [g]
90134	2	1,0	1,2	M6x35	260
90142	3	1,4	2,5	M8x45	470
90159	4	2,0	3,0	M8x65	690



Recommendations



No. 6891, page 111



No. 6800, page 10



No. 6860, page 26

Dimensions:

Order no.	Size	A	B	C	D	E	F	H	H1	HW min.	HW max.	I	K	L	L1	L2	M	N	P	α	α^*
90134	2	6	52	20	5,5	25	11	23,0	139,5	-3	4,5	12	6,0	12,5	78	89	23-31	43	32	105°	60°
90142	3	8	79	20	7,5	36	19	33,0	186,0	2	11,0	18	7,5	-	112	112	32,5	46	35	105°	60°
90159	4	10	101	32	8,6	54	16	42,5	221,0	-6	22,5	20	13,0	-	141	130	45,0	64	53	105°	60°

* The opening angle can be changed by pressing in a stop pin.

No. 6802S

Vertical toggle clamp with safety latch

for open and clamped positions.

With open clamping arm and vertical base.

Galvanized and passivated. Stainless steel rivets, which run in hardened bushes. Bearings are pre-lubricated.

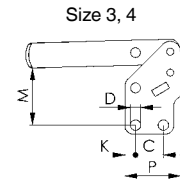
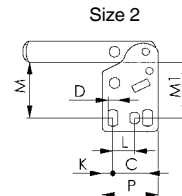
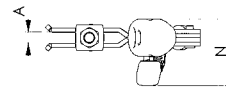
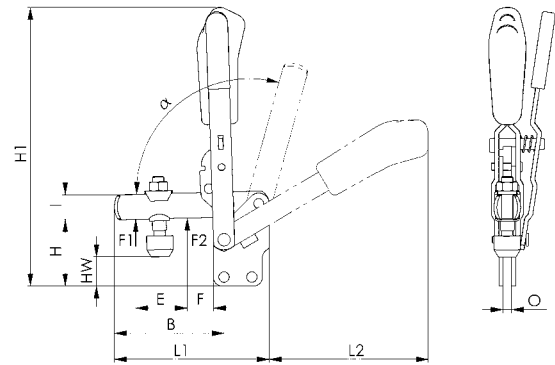
Ergonomic, oil-resistant handle with large grip surface and soft components. Safety clamping piece with finger protection. Lock washer for the thrust bolt at the end of the clamping arm.

Complete with tempered, galvanized clamping screw no. 6890.



CAD

Order no.	Size	F1 [kN]	F2 [kN]	Clamping screw	Weight [g]
90209	2	1,0	1,2	M6x35	175
90274	3	1,4	2,5	M8x45	470
90282	4	2,0	3,0	M8x65	690



Recommendations



No. 6895, page 113



No. 6802, page 11



No. 6820A, page 80

Dimensions:

Order no.	Size	A	B	C	D	E	F	H	H1	HW min.	HW max.	I	K	L	L1	L2	M	M1	N	O	P	α	α^*
90209	2	6	52	20	5,5	25	11	38	154	11,5	19,5	12	6,0	12,5	78	89	28,5-32	30	37,5	5	32	105°	60°
90274	3	8	79	20	7,5	37	19	48	200	10,0	18,5	18	7,5	-	111	114	41,0	-	48,0	6	40	105°	60°
90282	4	10	101	32	8,6	54	16	65	244	16,5	45,5	20	13,0	-	141	130	55,5	-	53,0	8	53	105°	60°

* The opening angle can be changed by pressing in a stop pin.

No. 6803S

Vertical toggle clamp with safety latch

for open and clamped positions.

With open clamping arm and angled base.

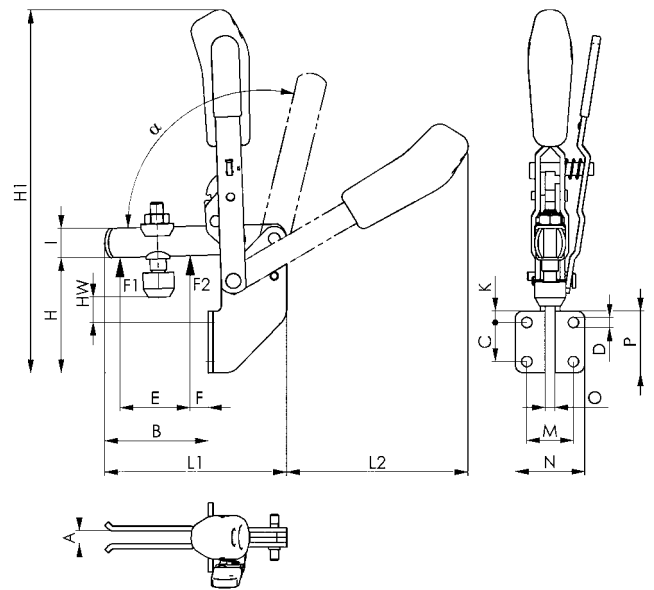
Galvanized and passivated. Stainless steel rivets, which run in hardened bushes. Bearings are pre-lubricated. Ergonomic, oil-resistant handle with large grip surface and soft components. Safety clamping piece with finger protection. Lock washer for the thrust bolt at the end of the clamping arm.

Complete with tempered, galvanized clamping screw no. 6890.



CAD

Order no.	Size	F1 [kN]	F2 [kN]	Clamping screw	Weight [g]
90357	2	1,0	1,2	M6x35	250
90365	3	1,4	2,5	M8x45	535
90373	4	2,0	3,0	M8x65	750



Recommendations



No. 6896,
page 112



No. 6803,
page 12



No. 6821A,
page 81

Dimensions:

Order no.	Size	A	B	C	D	E	F	H	H1	HW min.	HW max.	I	K	L1	L2	M	N	O	P	α	α^*
90357	2	6	40	20	5,5	25	9	61	180	2	11	12	6	78	63	25,5	38	5	32	105°	60°
90365	3	8	65	24	6,5	43	11	71	243	6	18	18	7	112	111	28,5	43	6	38	105°	60°
90373	4	10	84	32	8,5	50	17	102	280	11	40	20	54	140	129	32,0	52	8	96	105°	60°

* The opening angle can be changed by pressing in a stop pin.

No. 6804S

Vertical toggle clamp with safety latch

for open and clamped positions.

With solid clamping arm and horizontal base.

Galvanized and passivated. Stainless steel rivets, which run in hardened bushes. Bearings are pre-lubricated.

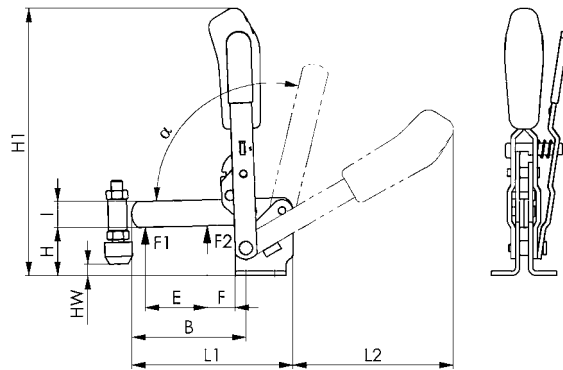
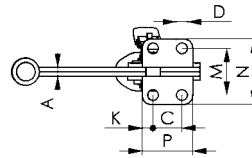
Ergonomic, oil-resistant handle with large grip surface and soft components. Safety clamping piece with finger protection.

Complete with tempered, galvanized clamping screw no. 6890 and sleeve to weld on.



CAD

Order no.	Size	F1 [kN]	F2 [kN]	Clamping screw	Weight [g]
90399	3	1,4	2,5	M8x45	470
90407	4	2,0	3,0	M8x65	690



Recommendations



No. 6886,
page 111



No. 6804,
page 13



No. 6834S,
page 44

Dimensions:

Order no.	Size	A	B	C	D	E	F	H	H1	HW min.	HW max.	I	K	L1	L2	M	N	P	α	α^*
90399	3	6	81	20	7,1	43	19	48,0	186	0	12	18	7,5	112	112	32	46	35	105°	60°
90407	4	8	101	32	8,5	61	16	42,5	220	-8	21	20	13,0	140	130	45	64	53	105°	60°

* The opening angle can be changed by pressing in a stop pin.

No. 6830S

Horizontal toggle clamp with safety latch

for open and clamped positions.

With open clamping arm and horizontal base.

Galvanized and passivated. Stainless steel rivets which run in hardened bushes, bearings are lubricated.

Ergonomic, oil-resistant handle with large grip surface and soft components. Lock washer for the thrust bolt at the end of the clamping arm.

Complete with tempered, galvanized clamping screw no. 6890.

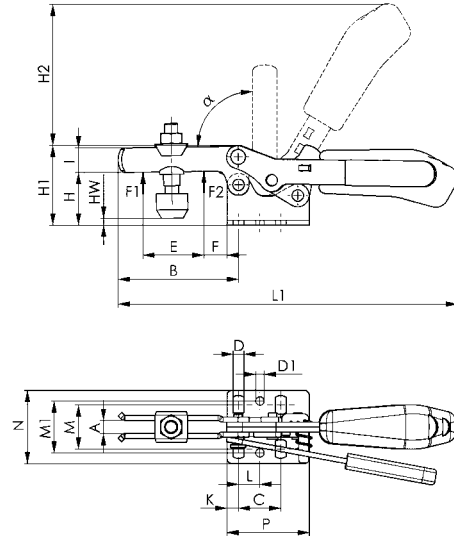


CAD

Order no.	Size	F1 [kN]	F2 [kN]	Clamping screw	Weight [g]
92650	3	1,8	2,5	M8x45	390
93112	4	2,0	3,0	M8x65	800

Note:

For suitable sensor monitor for size 3 see no. 6897S.



Dimensions:

Order no.	Size	A	B	C	D	D1	E	F	H	H1	H2	HW min.	HW max.	I	K	L	L1	M	M1	N	P	α
92650	3	8	73	25,7	6,5	5,1	38	14	32	48,5	86,0	-2	9	15	7	13,0	206	22,0-31,8	31,6	45,5	50	90°
93112	4	10	113	41,0	8,5	8,5	63	27	45	75,0	126,5	-4	24	20	8	20,5	287	29,0-43,0	43,0	58	57	90°

No. 6832S

Horizontal toggle clamp with safety latch

for open and clamped positions.

With open clamping arm and vertical base.

Galvanized and passivated. Stainless steel rivets, which run in hardened bushes. Bearings are pre-lubricated.

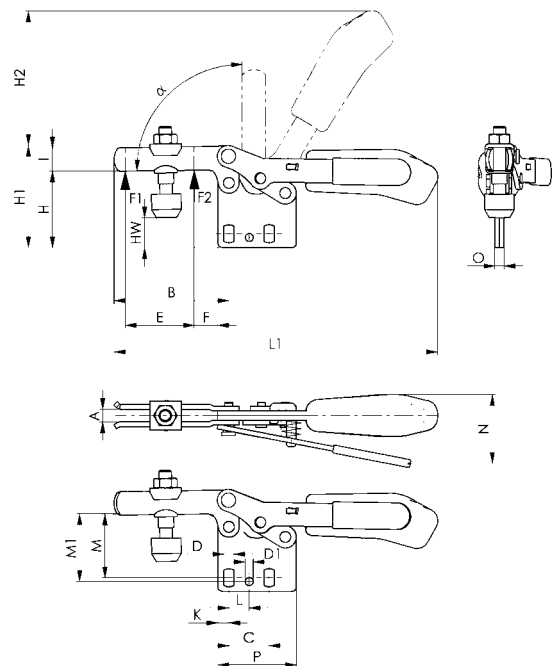
Ergonomic, oil-resistant handle with large grip surface and soft components. Lock washer for the thrust bolt at the end of the clamping arm.

Complete with tempered, galvanized clamping screw no. 6890.



CAD

Order no.	Size	F1 [kN]	F2 [kN]	Clamping screw	Weight [g]
93195	3	1,8	2,5	M8x45	390
93260	4	2,0	3,0	M8x65	800



Dimensions:

Order no.	Size	A	B	C	D	D1	E	F	H	H1	H2	HW min.	HW max.	I	K	L	L1	M	M1	N	O	P	α
93195	3	8	73	25,7	6,5	5,1	38	14	49,0	65	86	14,5	26	15	7	13,0	206	37,5-42,5	42	48	6	50	90°
93260	4	10	113	41,0	8,5	8,5	63	27	66,5	97	115	17,5	46	20	8	20,5	287	52,0-59,0	59	51	8	57	90°

Subject to technical alterations.

No. 6834S

Horizontal toggle clamp with safety latch

for open and clamped positions.

With solid clamping arm and horizontal base.

Galvanized and passivated. Stainless steel rivets, which run in hardened bushes. Bearings are pre-lubricated.

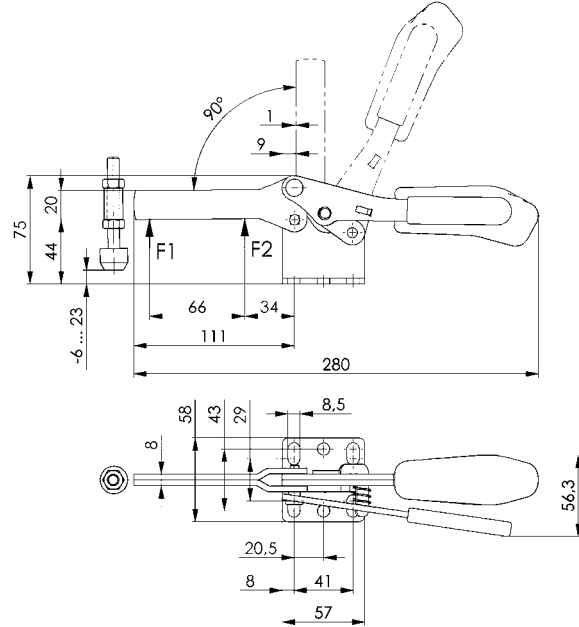
Ergonomic, oil-resistant handle with large grip surface and soft components.

Complete with tempered, galvanized clamping screw no. 6885 and sleeve to weld on.



CAD

Order no.	Size	F1 [kN]	F2 [kN]	Clamping screw	Weight [g]
93534	4	2	3	M8x65	800



Recommendations



No. 6886,
page 111



No. 6834,
page 23



No. 6804S,
page 42

No. 6840S

Push-pull type toggle clamp with safety latch

For open and clamped positions.

Without angle base. Push and pull-clamping (equal operation of rod and lever).

Long rod-guide with attaching thread and nut. Rivets made of stainless steel, lever-parts and rod of tempered steel.

Bearings are pre-lubricated.

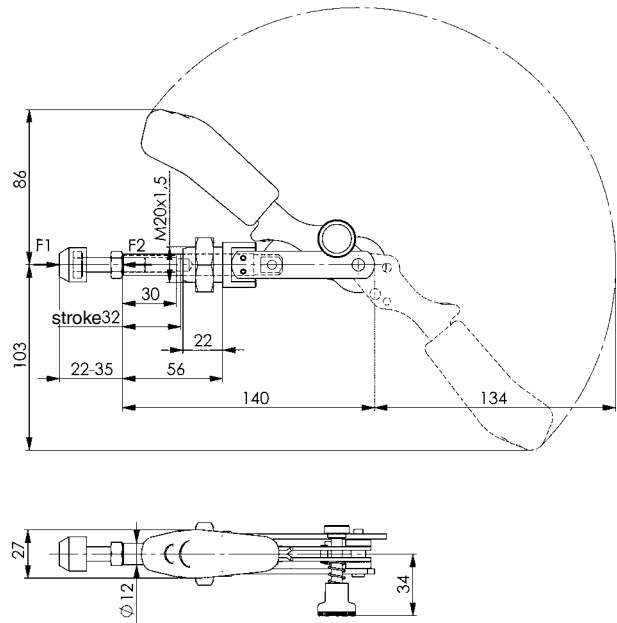
Ergonomic, oil-resistant handle with large grip surface and soft components.

Complete with tempered, galvanized clamping screw no. 6880.



CAD

Order no.	Size	F1 [kN]	F2 [kN]	Clamping screw	Weight [g]
92619	3	2,5	2,5	M8x35	402



Recommendations



No. 6843,
page 30



No. 6844,
page 29



No. 6800S,
page 39

Subject to technical alterations.

No. 6847S

Hook type toggle clamp with safety latch

Lock when closed.

Galvanized and passivated. Case-hardened, pre-lubricated bearing bushes. Rivet is stainless steel. Hook and clamping sleeve tempered. Handle made of red, oil-resistant plastic.



CAD

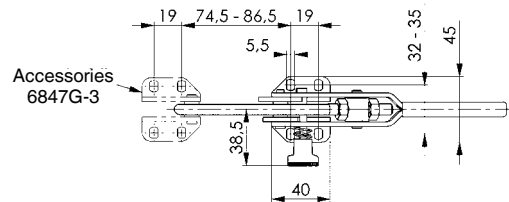
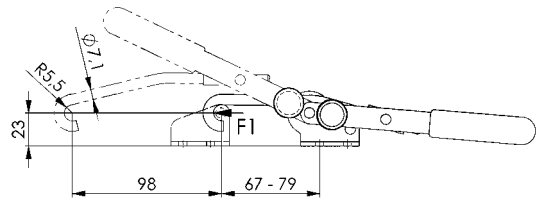
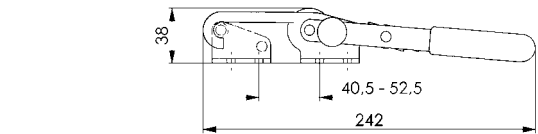
Order no.	Size	F1 [kN]	Weight [g]
93666	3	3	295

Note:

The engagement height of 23 mm must be observed to ensure secure latching.

On request:

A „stainless steel“ version is available.



Recommendations



No. 6847G,
page 34



No. 6847,
page 34



No. 6847SU,
page 45

No. 6847SU

Hook type toggle clamp with safety latch

U-shackle, locks when closed.

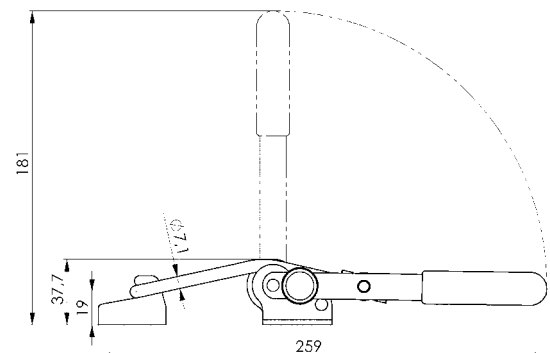
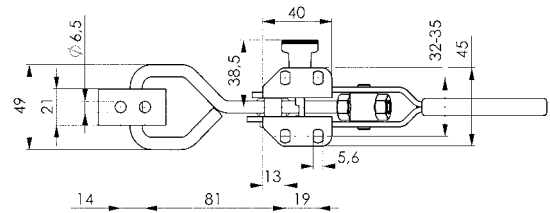
Galvanized and passivated. Case-hardened, pre-lubricated bearing bushes. Stainless steel rivets. Tempered shackle and clamping sleeve. Handle made of red, oil-resistant plastic.

Supplied complete with counter catch.



CAD

Order no.	Size	F1 [kN]	Weight [g]
91470	3	3	295



Recommendations



No. 6848H,
page 36



No. 6848V,
page 37



No. 6849PH,
page 38

Subject to technical alterations.

No. 6848HS

Hook type toggle clamp horizontal with safety latch

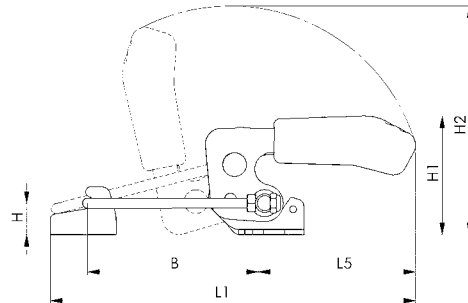
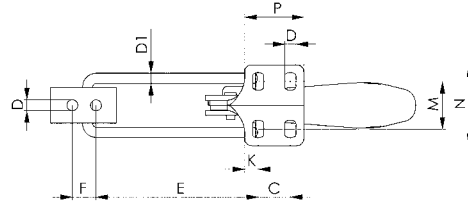
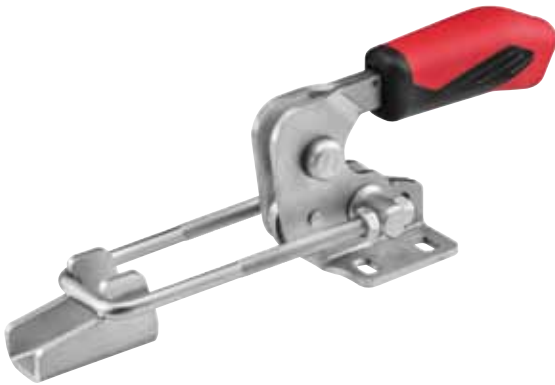
Galvanized and passivated. Stainless steel rivets, which run in hardened bushes. Tempered hook. Bearings are pre-lubricated. Ergonomic, oil-resistant handle with large grip surface and soft components.

Supplied complete with counter catch.



CAD

Order no.	Size	F1	Weight
		[kN]	[g]
92692	4	7,0	850



Recommendations



No. 6847SU,
page 45



No. 6847S,
page 45



No. 6848GH,
page 114

Dimensions:

Order no.	Size	B min.	B max.	C	D	D1	E min.	E max.	F	H	H1	H2	K	L1 min.	L1 max.	L5	M	N	P
92692	4	66	130	32	8,5	8	59	123	19	26	94	168	9,5	209	273	111	35-46	64,3	53,5

Toggle clamp made from 1.4301 / V2A or 1.4567 for special-purpose applications - in the chemical and food industries for example. Especially well suited to applications on machines and devices that are subject to hygiene regulations or are used outdoors under unfavourable weather conditions or in corrosive environments.

THE ADVANTAGES OF STAINLESS STEEL:

Primary positive properties of the material are its resistance to corrosion due to humidity, water or other external influences and its resistance to acids. In addition, the material exhibits antimagnetic properties. Additional finishing work such as painting or galvanizing, either before or after installation or use, is generally not required. This saves time and eliminates additional costs.



**INOX
STAINLESS STEEL**

No. 6800NI

Vertical acting toggle clamp

with open clamping arm and horizontal base.

Stainless steel, polished. In sizes 2 to 4, rivets run in bearing bushes. Bearings are pre-lubricated.

Ergonomic, oil-resistant handle with large grip surface and soft components.

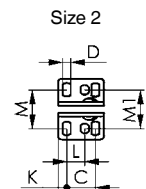
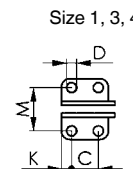
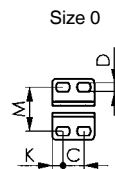
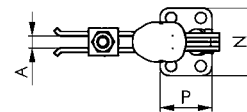
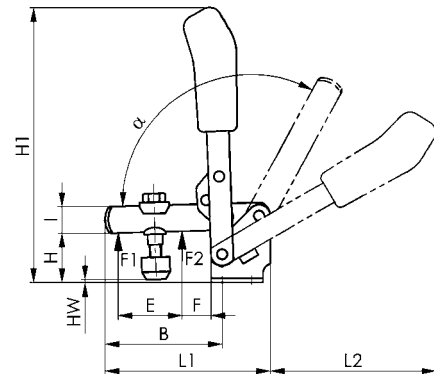
Supplied complete with stainless clamping screw no. 6890NI.

Also suitable for use in the food industry.



CAD

Order no.	Size	F1 [kN]	F2 [kN]	Clamping screw	Weight [g]
95000	0	0,5	0,7	M4x25	60
95026	1	0,6	1,1	M5x30	105
95042	2	0,8	1,2	M6x35	175
95067	3	1,2	2,5	M8x45	410
95083	4	1,7	3,0	M8x65	630



Dimensions:

Order no.	Size	A	B	C	D	E	F	H	H1	HW min.	HW max.	I	K	L	L1	L2	M	M1	N	P	α	α^*
95000	0	4	31	8,5-13,5	4,5	14,0	5,5	18,0	81	-1,5	3,5	8	4,3	-	49	50	23	-	32	22	95°	-
95026	1	5	39	16	4,5	17,5	6,0	19,0	98	-4,2	2,0	10	5,5	-	61	57	24	-	34	27	95°	-
95042	2	6	52	20	5,5	25,0	11,0	23,0	129	-3,3	5,0	12	6,0	12,5	78	80	23-31	27	43	32	105°	60°
95067	3	8	79	20	7,5	36,0	19,0	33,0	186	2,4	11,2	18	7,5	-	112	112	32	-	46	35	105°	60°
95083	4	10	100	32	8,5	54,0	16,0	42,5	220	-6,0	22,0	20	13,0	-	141	130	45	-	64	53	105°	60°

* The opening angle can be changed by pressing in a stop pin.

Subject to technical alterations.

No. 6803NI

Vertical acting toggle clamp

with open clamping arm and angle base.

Stainless steel, polished. Rivets running in greased bushes. Ergonomic, oil-resistant handle with large grip surface and soft components.

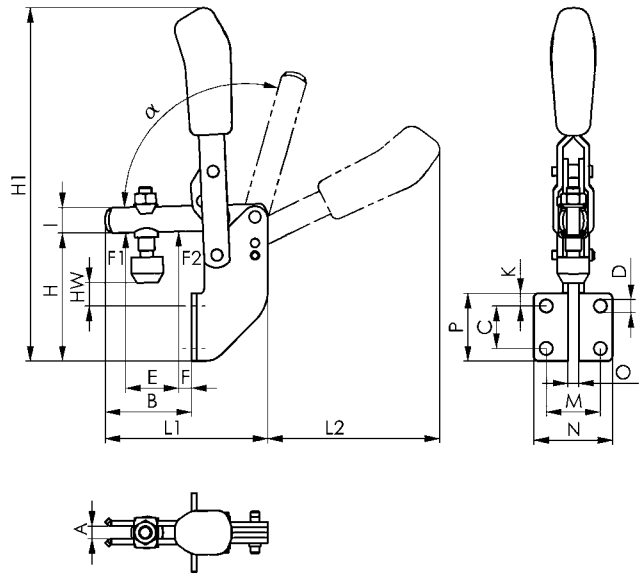
Supplied complete with stainless clamping screw no. 6890NI.

Also suitable for use in the food industry.



CAD

Order no.	Size	F1 [kN]	F2 [kN]	Clamping screw	Weight [g]
95133	2	0,8	1,2	M6x35	220



Recommendations



No. 6847NI,
page 52



No. 6848VNI,
page 56



No. 6844NI,
page 58

Dimensions:

Order no.	Size	A	B	C	D	E	F	H	H1	HW min.	HW max.	I	K	L1	L2	M	N	O	P	α	α^*
95133	2	6	41	20	6,1	25	6	60	167	8	15	12	6	77	81	25,5	37	5	32	105°	60°

* The opening angle can be changed by pressing in a stop pin.

No. 6830NI

Horizontal acting toggle clamp

with open clamping arm and horizontal base.

Stainless steel, polished. In sizes 2 to 5, rivets run in bearing bushes. Bearings are pre-lubricated. Ergonomic, oil-resistant handle with large grip surface and soft components.

Supplied complete with stainless clamping screw no. 6890NI.

Also suitable for use in the food industry.

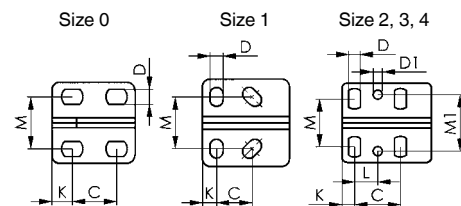
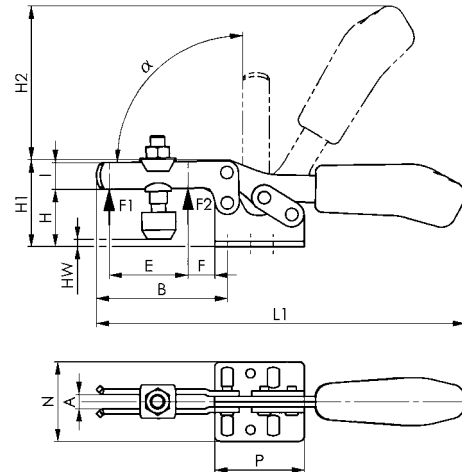


CAD

Order no.	Size	F1 [kN]	F2 [kN]	Clamping screw	Weight [g]
95141	0	0,25	0,4	M4x25	35
95166	1	0,80	1,1	M5x30	105
95182	2	1,00	1,2	M6x35	185
95208	3	1,80	2,5	M8x45	320
95224	4	2,00	3,0	M8x65	700

Note:

For suitable sensor monitor for size 3 see no. 6897S.



Recommendations



No. 6897S,
page 106



No. 6800NI,
page 47



No. 6847KNI,
page 53

Dimensions:

Order no.	Size	A	B	C	D	D1	E	F	H	H1	H2	HW min.	HW max.	I	K	L	L1	M	M1	N	P	α
95141	0	4	28	11,5-15,5	4,6	-	9,0	5	14,5	23,0	34	-5,0	0,6	7,5	6,25	-	79	16,0	-	25,0	25,5	90°
95166	1	5	42	13,3-14,7	5,2	-	18,6	8	19,0	30,0	49	-4,0	2,0	10,0	5,50	-	120	18,0-21,5	-	34,0	34,0	90°
95182	2	6	64	26,0	5,6	5,6	32,0	16	24,0	45,0	68	-1,6	5,0	13,0	6,00	12,7	162	19,5-29,5	28,5	42,0	38,0	90°
95208	3	8	73	25,7	6,5	5,1	36,0	14	32,0	48,5	86	-2,0	9,0	15,0	7,00	13,0	206	22,0-31,8	31,6	44,5	50,0	90°
95224	4	10	113	41,0	8,5	8,5	63,0	27	45,0	75,0	126	-4,0	24,0	20,0	8,00	20,5	287	29,0-43,0	43,0	58,0	57,0	90°

No. 68300NI

Horizontal toggle clamp plus

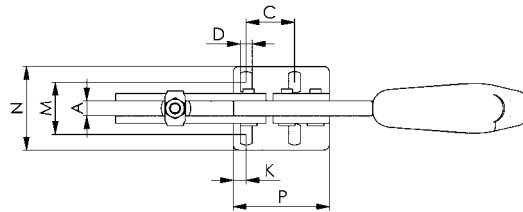
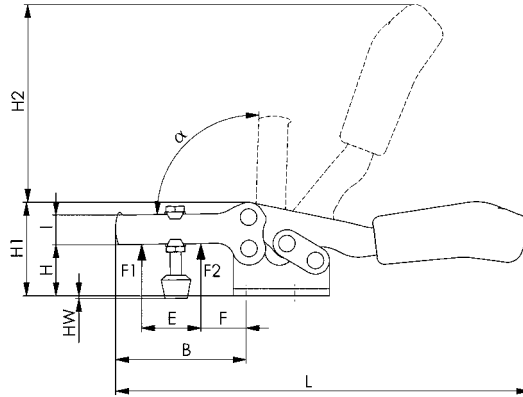
with increased retaining forces, open clamp arm and horizontal base. Stainless steel, polished. Bearings positioned are lubricated. Ergonomic, oil-resistant handle with large grip surface and soft components. Safety clamping piece with retainer for the clamping screw at the end of the clamping arm. **Supplied complete with stainless clamping screw no. 68301NI.** Also suitable for use in the food industry.



Order no.	Size	F1 [kN]	F2 [kN]	Clamping screw	Weight [g]
555175	2	1,6	3,0	M6 x 50	450
555176	4	3,5	8,0	M10 x 76	1250



NEW!



Recommendations



No. 68301NI,
page 108

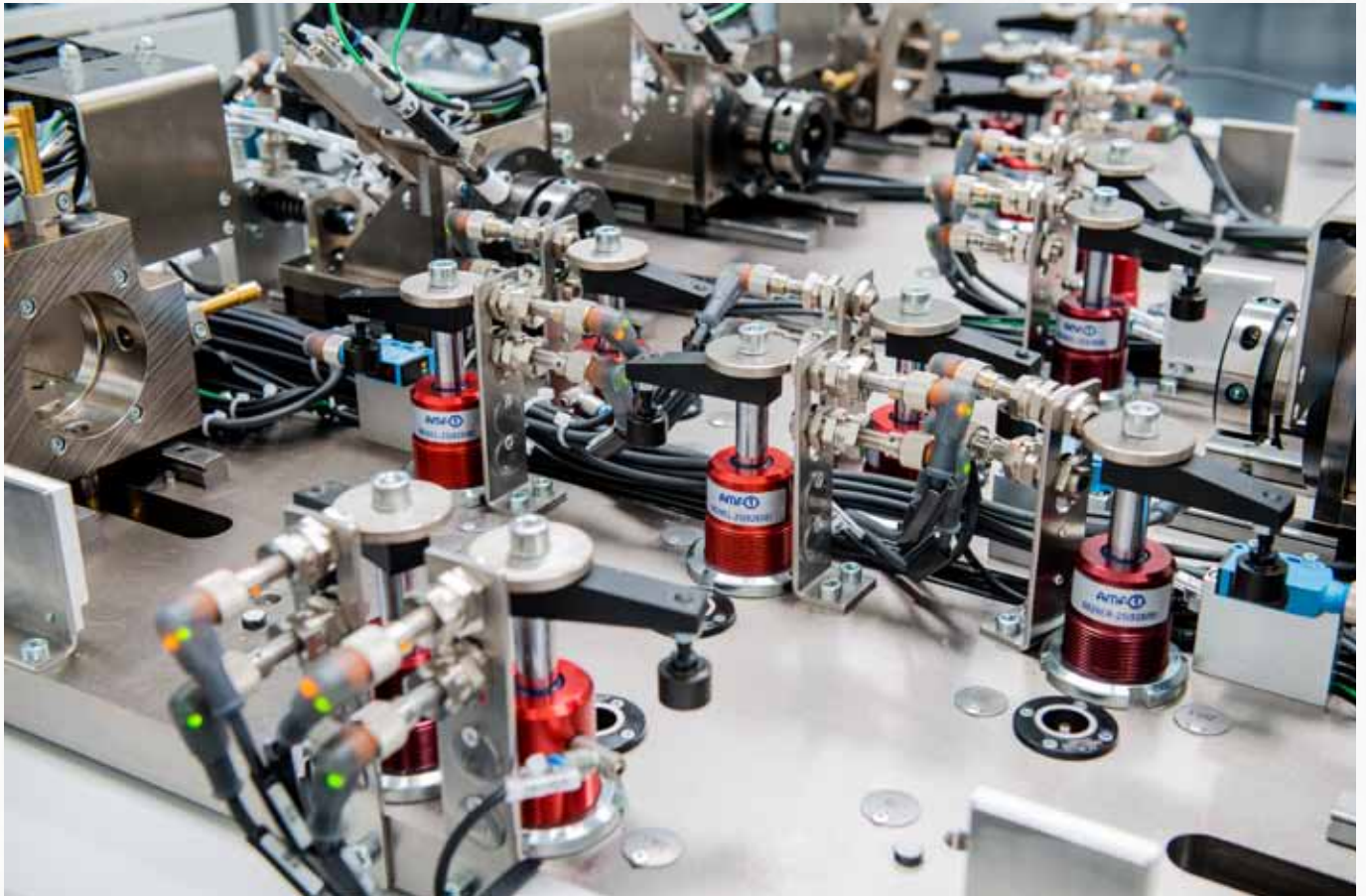


No. 6800NI,
page 47

Dimensions:

Order no.	Size	A	B	C	D	E	F	H	H1	H2	HW min.	HW max.	I	K	L	M	N	P	α
555175	2	8	71	26,0	6,5	39	14	28	51	110	-1	12,0	16	7,0	224	23,5 - 34	46	52	90°
555176	4	10	120	41,5	8,6	69	23	41	77	135	-2	17,5	24	10,5	329	34,5 - 45	60	76	90°

Subject to technical alterations.



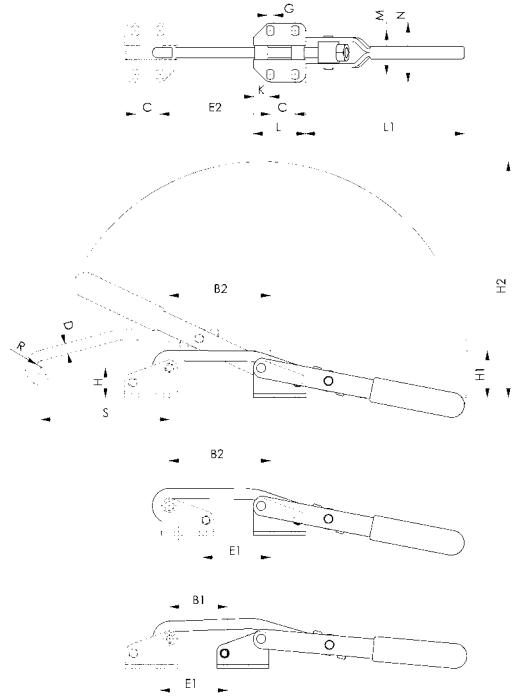
No. 6847NI

Hook type toggle clamp

Stainless steel, polished. Rivets running in greased bushes. CAD
 Handle of red high quality oil-resistant plastic.
 Ergonomic, oil-resistant handle with large grip surface and soft components for size 1.
 Suitable for use in food industry.



Order no.	Size	F1 [kN]	Adjustm. distance [mm]	Weight [g]
95406	1	1,0	8	100
95422	3	1,5	12	270
95448	5	2,5	14	850



Recommendations



No. 6848HNI,
page 54



No. 6841NI,
page 57

Dimensions:

Order no.	Size	B1	B2	C	D	E1	E2	G	H	H1	H2	K	L	L1	M	N	R	S
95406	1	15-23	34-42	19	6	15-24	34-42	4,5	22,7	35,0	111	6	31	63	26,0-30,0	40	4,5	45
95422	3	32-44	65-77	19	8	39-51	72-84	5,6	22,7	36,0	181	13	40	121	31,5-35,5	45	5,5	97
95448	5	26-40	57-71	29	12	27-42	58-73	11,2	49,0	70,5	281	13	55	188	56,5-64,0	86	8,0	146

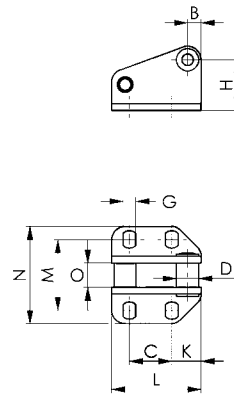
No. 6847GNI

Counter catch

For hook type toggle clamp no. 6847NI.
 Stainless steel, polished.



Order no.	Size	Height [mm]	Length [mm]	Weight [g]
95463	1	29	31	40
95489	3	29	40	70
95505	5	61	55	320



Dimensions:

Order no.	Size	B	C	D	G	H	K	L	M	N	O
95463	1	6	19	8	4,5	22,7	6	31	26,0-30,0	40	6,9
95489	3	6	19	10	5,6	22,7	13	40	31,3-35,8	45	10,9
95505	5	12	29	15	11,2	49,1	13	55	56,5-64,0	86	13,8

Subject to technical alterations.

No. 6847KNI

Hook type toggle clamp

for cylindrical mounting surfaces.
Stainless steel, polished. Rivets running in greased, continuous bearing bushes.
Handle made of red, oil-resistant plastic. Use socket cap screws to ISO 4762 (DIN 912) for mounting.
Also suitable for use in the food industry.

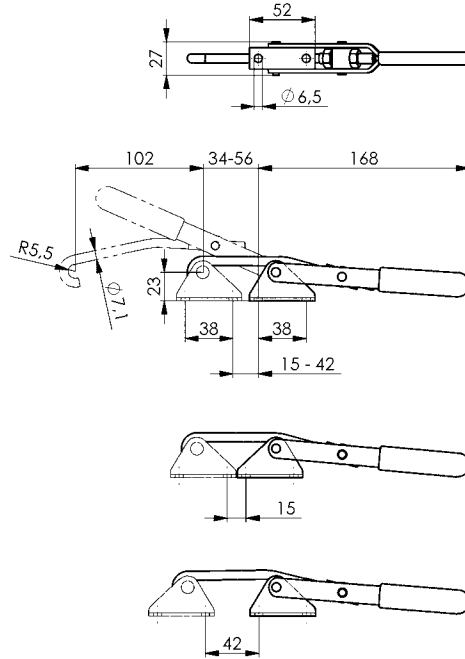


CAD

Order no.	Size	F1 [kN]	Adjustm. distance [mm]	Weight [g]
95455	3	1,5	22	270

Note:

The range of movement can be adjusted by swiveling the base and repositioning the catch.



Recommendations



No. 6847NI,
page 52



No. 6847GNI,
page 52

No. 6847GKNI

Counter catch

for cylindrical mounting surfaces.
For hook-type toggle clamp no. 6847KNI. Stainless steel, polished. Continuous bush. Use socket cap screws to ISO 4762 (DIN 912) for mounting.

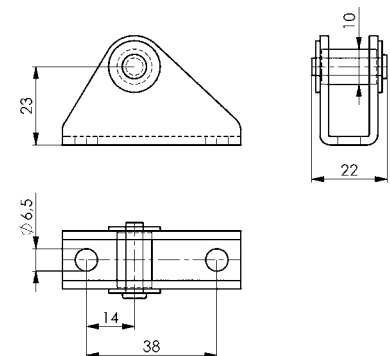


CAD

Order no.	Size	Height [mm]	Length [mm]	Weight [g]
95596	3	32	52	65

Note:

The adjustment range of the clamp can be increased by turning the counter catch.



No. 6848HNI

Hook type toggle clamp horizontal

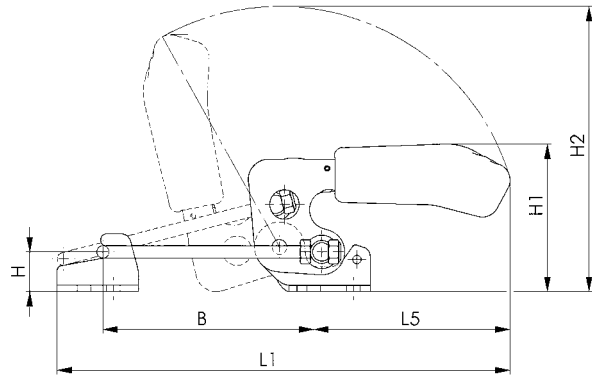
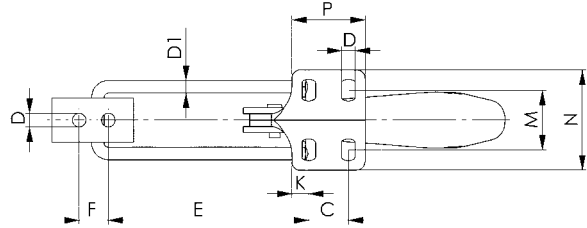
Stainless steel, polished. Rivets running in greased bushes. Ergonomic, oil-resistant handle with large grip surface and soft components.

Supplied complete with counter catch. Also suitable for use in the food industry.



CAD

Order no.	Size	F1 [kN]	Weight [g]
95521	2	1,6	120
95547	3	3,2	330
95562	4	7,0	810



Recommendations



No. 6848VNI,
page 56



No. 6847NI,
page 52

Dimensions:

Order no.	Size	B min.	B max.	C	D	D1	E min.	E max.	F	H	H1	H2	K	L1 min.	L1 max.	L5	M	N	P
95521	2	42,0	76	13	5,2	4	38,0	72	11	12	47,0	99	6,4	125	159	69	19,5-23,5	38,0	26,0
95547	3	53,5	101	19	6,5	6	48,6	96	14	19	70,0	137	8,0	169	217	94	24,5-32,5	48,0	35,0
95562	4	72,0	127	32	8,5	8	65,0	120	19	26	94,5	168	9,5	214	270	111	35,0-46,0	64,5	53,5

Subject to technical alterations.

No. 6848HSNI

Hook type toggle clamp horizontal with safety latch

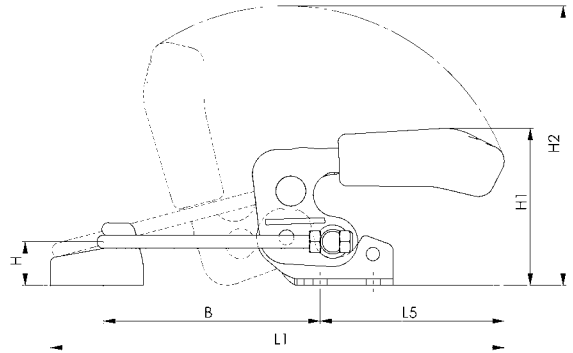
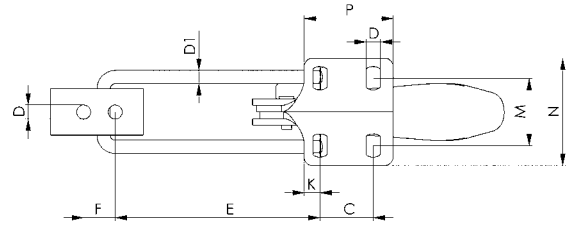
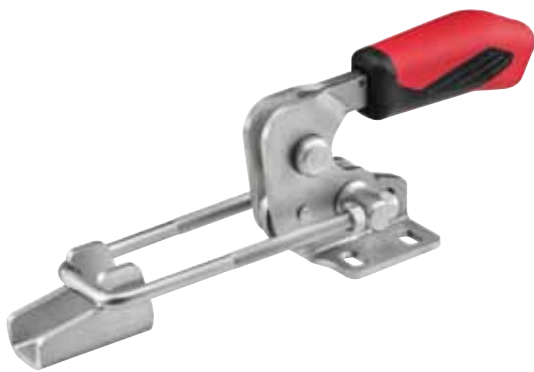
Stainless steel, polished. Rivets running in greased bushes. Ergonomic, oil-resistant handle with large grip surface and soft components.

Supplied complete with counter catch.
Also suitable for use in the food industry.



CAD

Order no.	Size	F1	Weight
		[kN]	[g]
93658	4	7,0	850



Recommendations



No. 6848VNI,
page 56



No. 6848GHNI,
page 114

Dimensions:

Order no.	Size	B min.	B max.	C	D	D1	E min.	E max.	F	H	H1	H2	K	L1 min.	L1 max.	L5	M	N	P
93658	4	72	130	32	8,5	8	65	123	19	26	94	168	9,5	215	273	111	35-46	64,5	53,5

No. 6848VNI

Hook type toggle clamp vertical

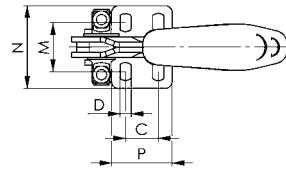
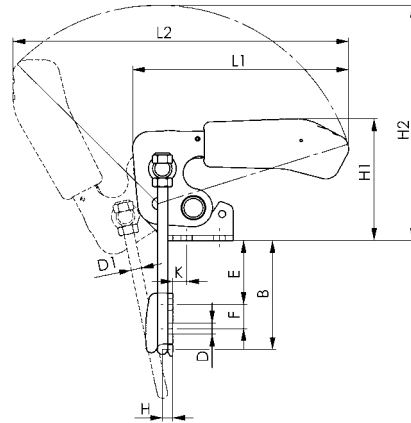
Stainless steel, polished. Rivets running in greased bushes.

Ergonomic, oil-resistant handle with large grip surface and soft components.

Supplied complete with counter catch.
Also suitable for use in the food industry.



Order no.	Size	F1 [kN]	Weight [g]
95588	2	1,6	130
95604	3	3,2	340
95620	4	7,0	810



Recommendations



No. 6848GVNI,
page 114



No. 6844NI,
page 58



No. 6803NI,
page 48

Dimensions:

Order no.	Size	B min.	B max.	C	D	D1	E min.	E max.	F	H	H1	H2	K	L1 min.	L1 max.	M	N	P
95588	2	24	47	13	5,2	4	5,0	28	11	4,5	47,0	99	6,8	91	158	19,5-23,5	38,0	26,0
95604	3	33	63	19	6,5	6	6,5	37	14	6,0	70,0	137	8,0	125	195	24,5-32,5	48,0	35,0
95620	4	43	81	32	8,5	8	9,0	47	19	8,0	94,5	171	9,6	155	244	35,0-46,0	64,5	53,5

No. 6841NI

Push-pull type toggle clamp

with small angle base. For push- and pull-clamping. (Equal operation of rod and lever). Stainless steel, polished. Long rod-guide with attaching thread and nut. Bush for size 3. Bearings pre-lubricated. Lever can be set to any angle relative to base. Ergonomic, oil-resistant handle with large grip surface and soft components.

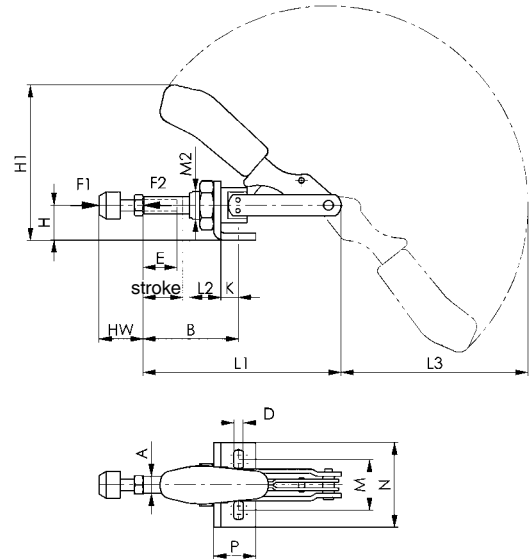
Supplied complete with stainless clamping screw no. 6880NI.

Also suitable for use in the food industry.



CAD

Order no.	Size	F1 [kN]	F2 [kN]	Clamping screw	Weight [g]
95265	0	0,8	0,8	M4x20	65
95299	3	2,5	2,5	M8x35	445



Recommendations



No. 6844NI,
page 58



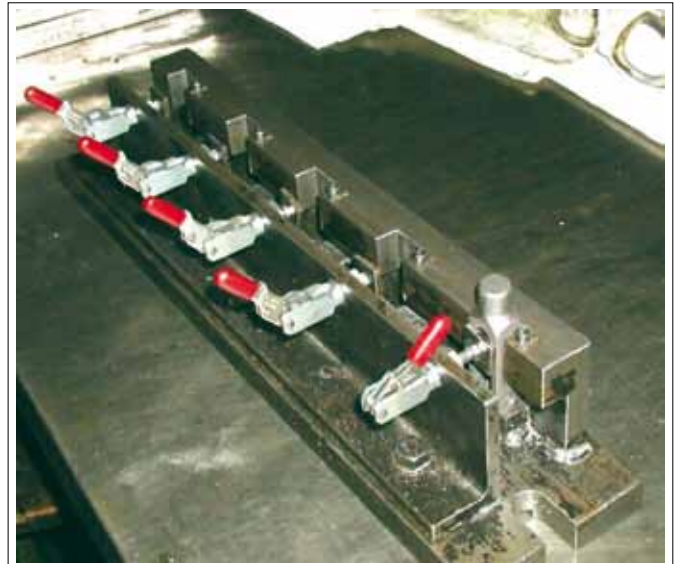
No. 6860,
page 26



No. 6800NI,
page 47

Dimensions:

Order no.	Size	A	B min.	B max.	D	E	H	H1	Stroke	HW min.	HW max.	K	L1	L2	L3	M	M2	N	P
95265	0	6,5	17	33	4,5	13	12	49,3	16	12	20	6,5	66,5	10	54	16,0	M10x1,0	25	16
95299	3	12,0	37	69	6,5	30	25	110,0	32	22	35	13,0	140,0	22	132	29,5-42,5	M20x1,5	60	30



Subject to technical alterations.

No. 6844NI

Push-pull type toggle clamp

short version. For push and pull-clamping. Stainless steel, polished. Long rod-guide with attaching thread and nut. Shoulder screws pasted into thread. Bearings are pre-lubricated. Ergonomic, oil-resistant handle with large grip surface and soft components.

Supplied complete with stainless clamping screw no. 6880NI.

Also suitable for use in the food industry.

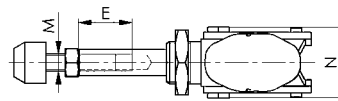
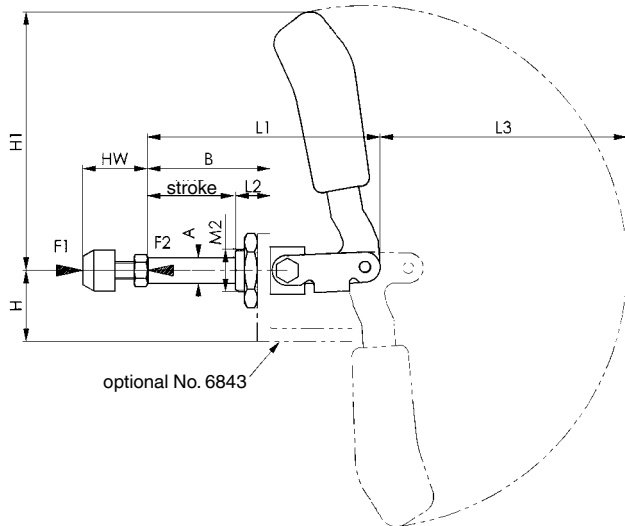


CAD

Order no.	Size	F1 [kN]	F2 [kN]	Clamping screw	Weight [g]
95349	2	1,0	1,0	M6x25	130
95364	3	2,5	2,5	M8x35	320
95380	5	4,0	4,0	M12x50	1200

Application:

Toggle for direct fit up in metal plates or fixtures, using its front attaching thread or by means of solid base angle no. 6843NI.



Recommendations



No. 6841NI, page 57



No. 6847NI, page 52

Dimensions:

Order no.	Size	A	B	E	H	H1	Stroke	HW min.	HW max.	L1	L2	L3	M	M2	N
95349	2	10	36	15	24	73,0	21,5	17	27,0	68,5	13	69	M6	M16x1,5	30,5
95364	3	12	57	25	33	120,5	40,0	22	37,5	108,0	16	115	M8	M20x1,5	33,0
95380	5	16	92	45	37	149,0	67,0	30	50,0	175,0	24	139	M12	M24x1,5	49,0

No. 6843NI

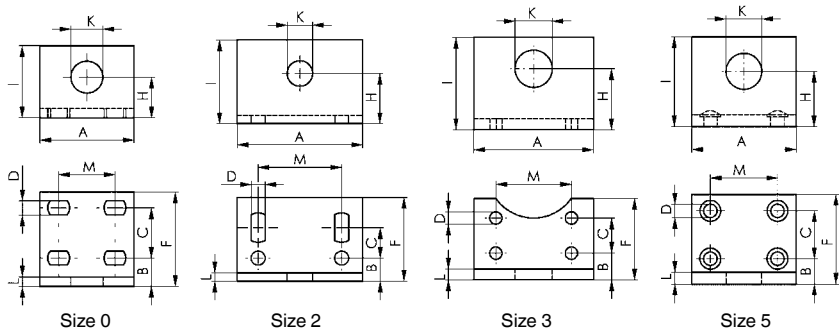
Angle base, solid

for no. 6841NI and no. 6844NI.

Stainless steel, polished. Increased range of application due to enlarged height of center line. Fastening by means of 4 screws.



Order no.	Size	A	B	C	D	F	H	I	K	L	M	Weight [g]
95091	0	30	9,0	16	4,5	30	13	23	10,2	3	15,5-20,5	35
95158	2	60	11,0	11-18	6,7	40	24	40	16,2	5	40	170
95174	3	65	14,5	19	6,7	44	33	50	20,2	6	41	260
95190	5	70	17,0	32	9,0	60	37	60	24,0	8	45	480



CAD

Subject to technical alterations.

VARIABLE TOGGLE CLAMPS

The benefits at a glance:

- > Variable clamping height
- > Clamps different workpiece types
- > Ideal for small batch sizes
- > Adjustable clamping force
- > Ergonomic 2-component handle
- > Retained on the clamp arm



No. 6870

Horizontal toggle clamp variable

with open clamping arm and horizontal base.

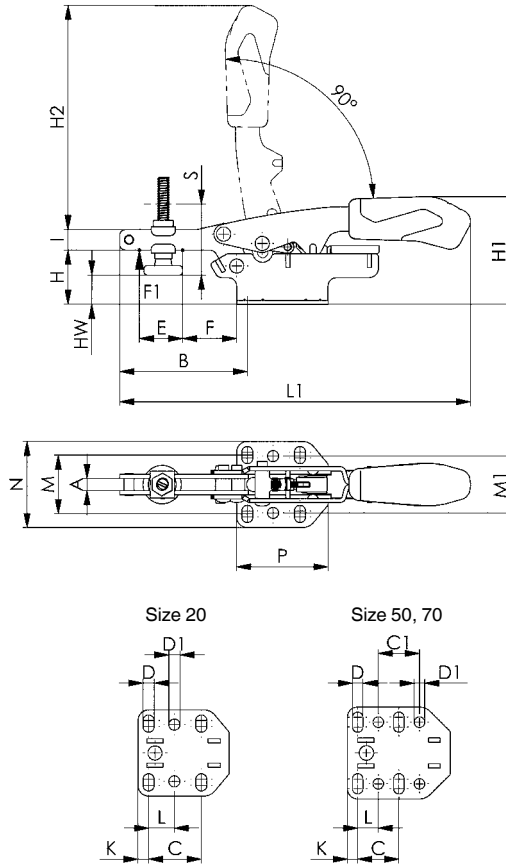
Toggle clamp with continuous counterbalance function for workpieces with different clamping heights. Galvanised and passivated. Ergonomic, oil-resistant handle with large grip surface and soft components. Retainer for the clamping screw at the end of the clamp arm.

Complete with galvanised clamping screw.



Order no.	Size	F1 [kN]	Automatic height compensation S [mm]	Maximum height compensation [mm]	Clamping screw	Weight [g]
554878	20	2	20	35	M6 x 40	272
554879	50	3	35	40	M8 x 39	499
554880	70	3	35	60	M8 x 55	544

NEW!



Recommendations



No. 6860, page 26



No. 68300, page 21

Dimensions:

Order no.	Size	A	B	C	C1	D	D1	E	F	H	H1	H2	HW min.	HW max.	I	K	L	L1	M	M1	N	P
554878	20	6,0	63	26,0	-	5,5	5,5	22	26	27,0	53,0	111	-6,5	14	10	5,3	12,7	173	26 - 32	28	42,5	45,0
554879	50	8,4	104	24,5	25,4	6,5	6,5	35	22	23,0	58,5	158	-8,5	6	13	6,3	12,7	244	32 - 44	38	57,0	63,5
554880	70	8,4	104	25,4	25,4	6,5	6,5	35	50	40,5	76,5	158	-6,5	24	13	6,3	12,7	243	32 - 44	38	57,0	63,5

No. 6871

Horizontal toggle clamp variable

with open clamping arm and angle base.

Toggle clamp with continuous counterbalance function for workpieces with different clamping heights.

Galvanised and passivated. Ergonomic, oil-resistant handle with large grip surface and soft components. Retainer for the clamping screw at the end of the clamp arm.

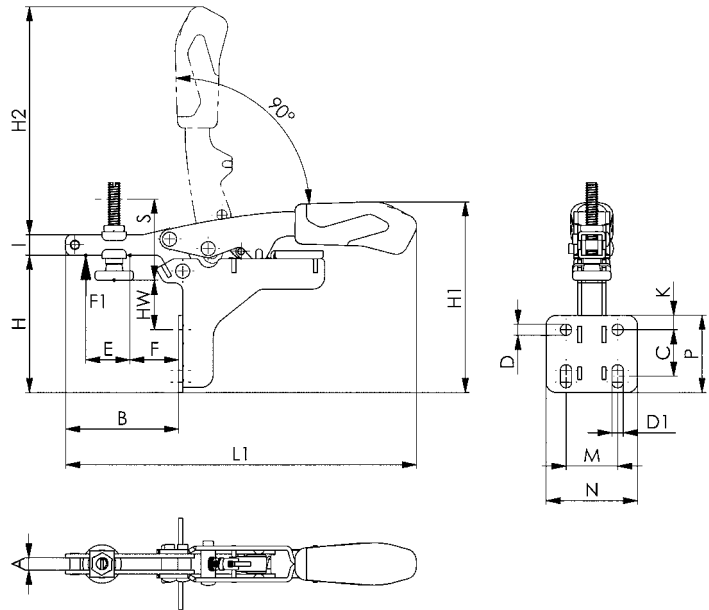
Complete with galvanised clamping screw.



CAD

Order no.	Size	F1 [kN]	Automatic height compensation S [mm]	Maximum height compensation [mm]	Clamping screw	Weight [g]
554881	20	2	20	35	M6 x 40	272
554882	50	3	35	40	M8 x 55	544

NEW!



Dimensions:

Order no.	Size	A	B	C	D	D1	E	F	H	H1	H2	HW min.	HW max.	I	K	L1	M	N	P
554881	20	6,0	56	20,0 - 26,0	5,6	5,6	22	24	68	94	113	-3	24	10	7,1	173	25,4	45	38
554882	50	8,4	85	20,4 - 30,4	6,5	6,5	35	37	88	124	158	1	31	13	10,6	244	38,1	57	51

No. 6872

Horizontal toggle clamp variable

with open clamping arm and vertical base.

Toggle clamp with continuous counterbalance function for workpieces with different clamping heights.

Galvanised and passivated. Ergonomic, oil-resistant handle with large grip surface and soft components. Retainer for the clamping screw at the end of the clamp arm.

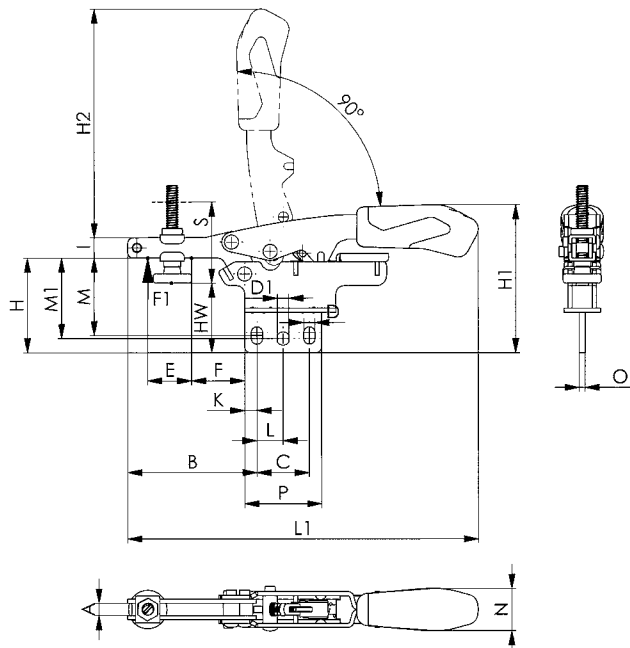
Complete with galvanised clamping screw.



CAD

Order no.	Size	F1 [kN]	Automatic height compensation S [mm]	Maximum height compensation [mm]	Clamping screw	Weight [g]
554883	20	2	20	35	M6 x 40	272
554884	50	3	35	40	M8 x 39	544

NEW!



Recommendations



No. 6860,
page 26

No. 68300,
page 21

Dimensions:

Order no.	Size	A	B	C	D	D1	E	F	H	H1	H2	HW min.	HW max.	I	K	L	L1	M	M1	N	O	P
554883	20	6,0	64,0	25,9	5,6	5,6	22	26	47	73	113	13,0	34	10	6,0	12,9	173	37 - 40	39,8	21	3	38
554884	50	8,4	106,5	38,0	6,5	6,5	35	50	59	94,5	158	27,5	42	13	8,5	19,0	243	45 - 49	49,0	21	4	55

Subject to technical alterations.

No. 6873

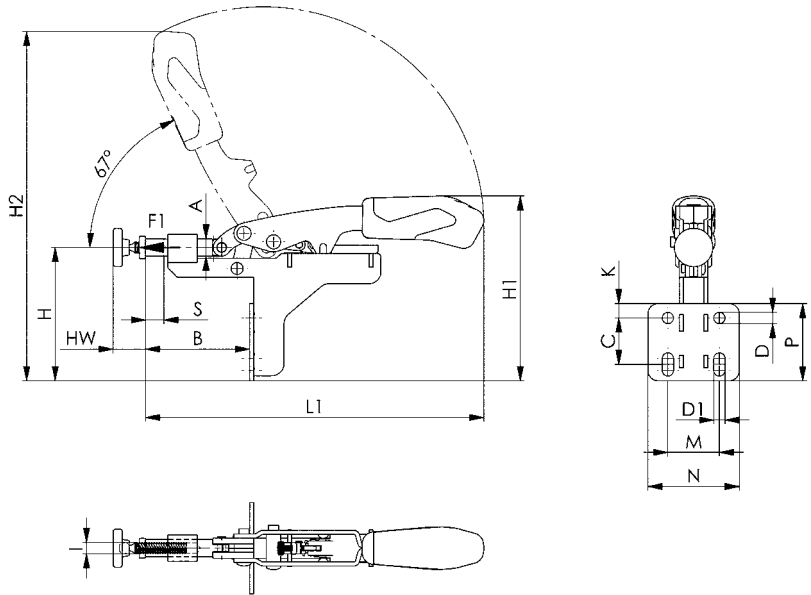
Push-pull type toggle clamp variable with angle base.

Toggle clamp with continuous counterbalance function for workpieces with different clamping widths. Galvanised and passivated. Ergonomic, oil-resistant handle with large grip surface and soft components. Retainer for the clamping screw at the end of the clamp arm.
Complete with galvanised clamping screw.



Order no.	Size	F1 [kN]	Automatic stroke compensation S [mm]	Maximum stroke compensation [mm]	Clamping screw	Weight [g]
554885	15	2	8	25	M6 x 29	272
554886	25	3	13	35	M8 x 38	544

NEW!



Dimensions:

Order no.	Size	A	B	C	D	D1	H	H1	H2	HW min.	HW max.	I	K	L1	M	N	P
554885	15	8,5	42 - 51	20,0 - 26,0	5,6	5,6	66	91	173	12	29	M6	7,1	167	25,4	45	38
554886	25	11,8	58 - 83	20,4 - 30,4	6,5	6,5	84	119	244	17	39	M8	10,6	236	38,1	57	51

No. 6874

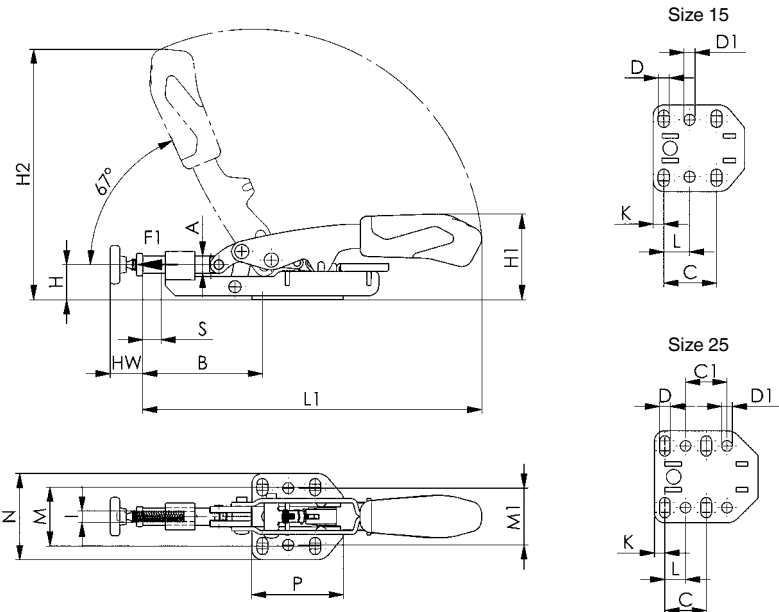
Push-pull type toggle clamp variable with horizontal base.

Toggle clamp with continuous counterbalance function for workpieces with different clamping heights. Galvanised and passivated. Ergonomic, oil-resistant handle with large grip surface and soft components. Retainer for the clamping screw at the end of the clamp arm.
Complete with galvanised clamping screw.



Order no.	Size	F1 [kN]	Automatic stroke compensation S [mm]	Maximum stroke compensation [mm]	Clamping screw	Weight [g]
554887	15	2	8	25	M6 x 29	272
554888	25	3	13	35	M8 x 38	499

NEW!



Recommendations



No. 6842, page 31

No. 6841, page 27

Dimensions:

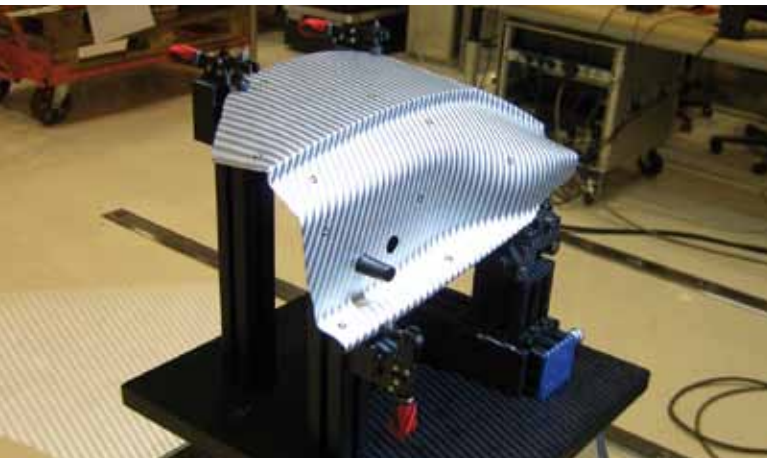
Order no.	Size	A	B	C	C1	D	D1	H	H1	H2	HW min.	HW max.	I	K	L	L1	M	M1	N	P
554887	15	8,5	50 - 59	26,0	-	5,5	5,5	17,5	42	124	12	29	M6	5,3	12,7	167	26 - 32	28	42,5	45,0
554888	25	11,8	67 - 92	25,4	25,4	6,5	6,5	23,0	59	170	17	39	M8	6,3	12,7	236	32 - 44	38	57,0	63,5

Subject to technical alterations.

AMF TOGGLE CLAMPS FOR OPTICAL MEASUREMENT TECHNOLOGY

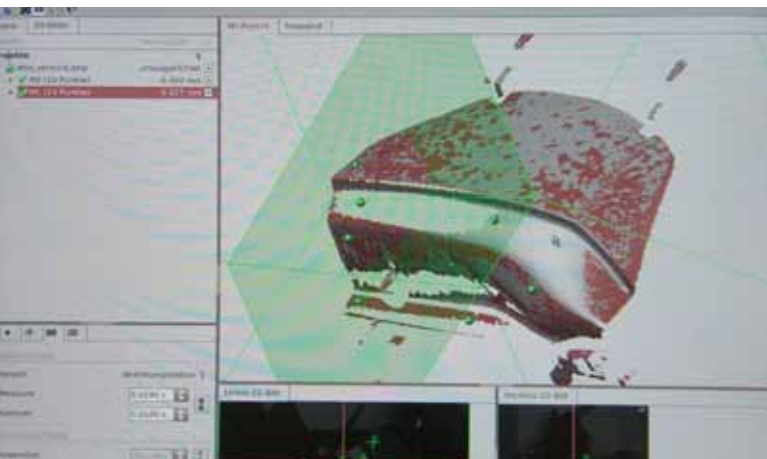
The new black toggle clamps are especially suited for the optical measurement of workpieces. The complete matte-black surface of the clamps prevents reflections. As a result, in the later evaluation of the measurement results on the PC, all unneeded clamp parts can be suppressed and only the actual workpiece is visible.

All black toggle clamps are blackened using a special process. This offers effective protection against corrosion and film rust formation. In addition, environmentally damaging emissions are not created with this process.



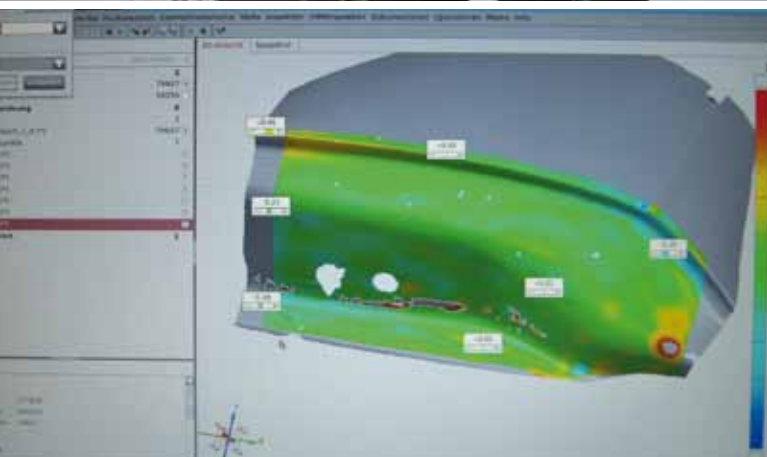
MARKING AND MEASURING OF THE WORKPIECE

For overlaying of several pictures, circular markings are attached to the object. A stripe pattern is projected onto the object surface by a white-light projector and photographed by two cameras from different angles of view.



EVALUATION

Within seconds, highly precise 3D coordinates of up to 4 million object points per measurement are calculated. For this, the black device with the black toggle clamps are „suppressed“.



VISUALISATION AND RESULT

Variances from the CAD are calculated. The 3D coordinates of the measurement points can be measured exactly and visualised in colour.

The complete 3D data set and the comparison results can be exported into common formats for further processing.

No. 6800B

Vertical toggle clamp, black

With open clamping arm and horizontal base.

Matte black surface. Rivets made of stainless steel, which, for sizes 2 and 3, run in hardened bushings.

Bearings are pre-lubricated.

Ergonomic, oil-resistant black handle with large grip surface and soft components. Safety clamping piece with finger protection.

Lock washer for the thrust bolt at the end of the clamping arm.

Complete with tempered, matte-black clamping screw no. 6890B.

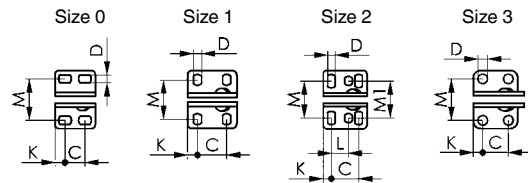
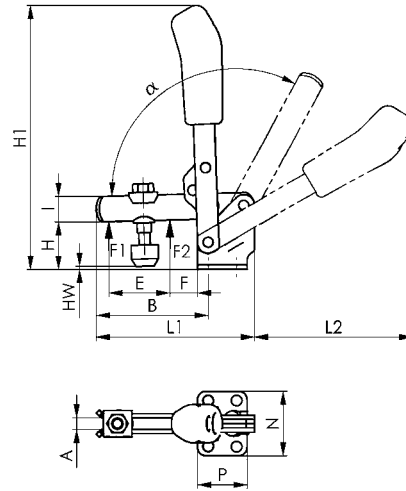


Order no.	Size	F1 [kN]	F2 [kN]	Clamping screw	Weight [g]
90167	0	0,5	0,7	M4x34,5	60
90175	1	0,6	1,1	M5x38,0	105
90183	2	0,8	1,2	M6x46,0	175
90191	3	1,2	2,5	M8x63,0	410

Note:

These clamps are suitable for photogrammetric use. The matte-black surface of the clamps prevents reflection while photographing.

For suitable clamping arm extension see no. 6896.



Recommendations



No. 6890B,
page 109



No. 6802B,
page 65



No. 6800BS,
page 71

Dimensions:

Order no.	Size	A	B	C	D	E	F	H	H1	HW min.	HW max.	I	K	L	L1	L2	M	M1	N	P	α	α^*
90167	0	4	32	8,5-13,5	4,5	14	5,5	18	81,0	-4,0	6,5	8	5,5	-	49,0	50,0	23,0	-	32	22	95°	-
90175	1	5	39	16	4,5	18	6,0	19	97,5	-3,7	1,6	10	5,5	-	61,0	58,0	22,5-26	-	34	27	95°	-
90183	2	6	52	20	5,5	25	11,0	23	130,0	-4,4	4,4	12	6,0	12,5	78,0	80,0	23,0-31	27	43	32	105°	60°
90191	3	8	79	20	7,5	36	19,0	33	188,0	-2,8	7,6	18	7,5	-	111,5	111,5	32,5	-	46	35	105°	60°

* The opening angle can be changed by pressing in a stop pin.

CAD



Subject to technical alterations.

No. 6802B

Vertical toggle clamp, black

With open clamping arm and vertical base.

Matte black surface. Rivets made of stainless steel, which, for sizes 2 and 3, run in hardened bushings.

Bearings are pre-lubricated.

Ergonomic, oil-resistant black handle with large grip surface and soft components. Safety clamping piece with finger protection.

Lock washer for the thrust bolt at the end of the clamping arm.

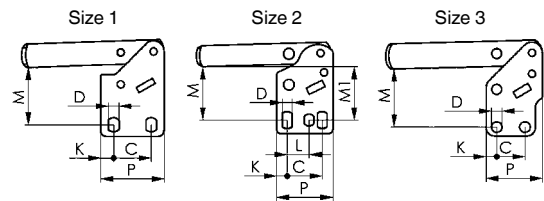
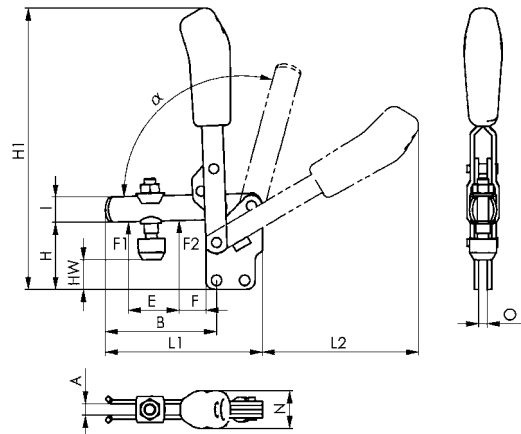
Complete with tempered, matte-black clamping screw no. 6890B.

Order no.	Size	F1 [kN]	F2 [kN]	Clamping screw	Weight [g]
90415	1	0,6	1,1	M5x38	105
90472	2	0,8	1,2	M6x46	175
90498	3	1,2	2,5	M8x63	410

Note:

These clamps are suitable for photogrammetric use. The matte-black surface of the clamps prevents reflection while photographing.

For suitable clamping arm extension see no. 6896.



Recommendations



No. 6890B,
page 109



No. 6802BS,
page 72



No. 6841B,
page 70

Dimensions:

Order no.	Size	A	B	C	D	E	F	H	H1	HW min.	HW max.	I	K	L	L1	L2	M	M1	N	O	P	α	α^*
90415	1	5	39	16	4,5	18	6	29	110,5	6,8	12	10	5,5	-	61	58	23,5-25	-	19	5	27	95°	-
90472	2	6	52	20	5,5	25	11	38	144,5	10,5	19	12	6,0	12,5	78	80	28,5-32	30	21	5	32	105°	60°
90498	3	8	79	20	7,5	36	19	48	201,0	11,4	22	18	7,5	-	112	113	41	-	27	6	40	105°	60°

* The opening angle can be changed by pressing in a stop pin.



No. 6830B

Horizontal toggle clamp, black

With open clamping arm and horizontal base.

Matte black surface. Rivets made of stainless steel, which, for sizes 2 and 3, run in hardened bushings.

Bearings are pre-lubricated.

Ergonomic, oil-resistant black handle with large grip surface and soft components. Lock washer for the thrust bolt at the end of the clamping arm.

Complete with tempered, matte-black clamping screw no. 6890B.

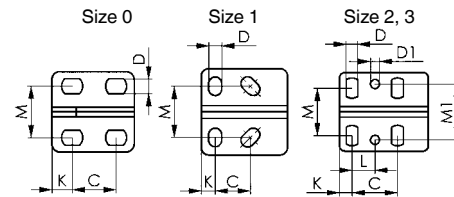
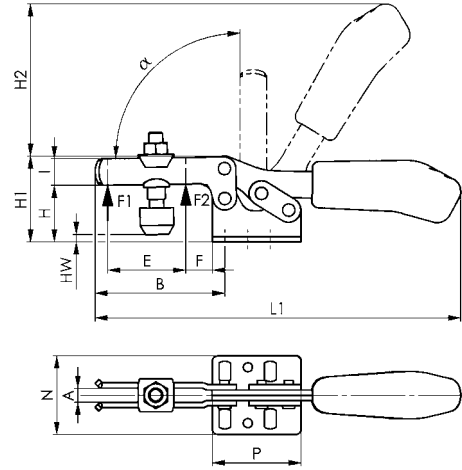
Order no.	Size	F1 [kN]	F2 [kN]	Clamping screw	Weight [g]
90423	0	0,3	0,4	M4x32	35
90480	1	0,8	1,1	M5x38	105
90506	2	1,0	1,2	M6x45	185
90522	3	1,8	2,5	M8x58	320

Note:

These clamps are suitable for photogrammetric use. The matte-black surface of the clamps prevents reflection while photographing.

For suitable clamping arm extension see no. 6896.

For suitable sensor monitor for size 3 see no. 6897S.



Recommendations



No. 6890B,
page 109



No. 6832B,
page 67



No. 6841B,
page 70

Dimensions:

Order no.	Size	A	B	C	D	D1	E	F	H	H1	H2	HW min.	HW max.	I	K	L	L1	M	M1	N	P	α
90423	0	4	28	11,5-15,5	4,6	-	9,0	5,5	14,5	23,0	34,0	-7,9	3,1	7,5	6,25	-	79	16,0	-	25,0	25,5	90°
90480	1	5	42	13,0-14,5	5,2	-	18,8	8,0	19,0	30,0	49,0	-4,0	2,0	10,0	5,50	-	120	18,0-21,5	-	34,0	34,0	90°
90506	2	6	64	26,0	5,6	5,6	32,0	16,0	24,0	45,0	66,3	-2,6	5,0	13,2	6,00	12,7	162	19,5-29,5	28,5	42,0	38,0	90°
90522	3	8	73	25,7	6,5	5,1	37,0	14,0	32,0	48,5	86,0	-7,0	5,5	15,0	7,00	-	206	22,0-31,8	31,6	45,5	50,0	90°

CAD



Subject to technical alterations.

No. 6832B

Horizontal toggle clamp, black

With open clamping arm and vertical base.

Matte black surface. Rivets made of stainless steel, which, for sizes 2 and 3, run in hardened bushings.

Bearings are pre-lubricated.

Ergonomic, oil-resistant black handle with large grip surface and soft components. Lock washer for the thrust bolt at the end of the clamping arm.

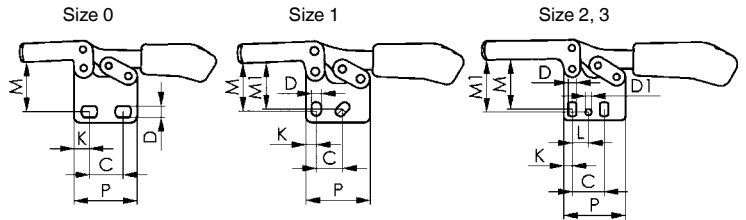
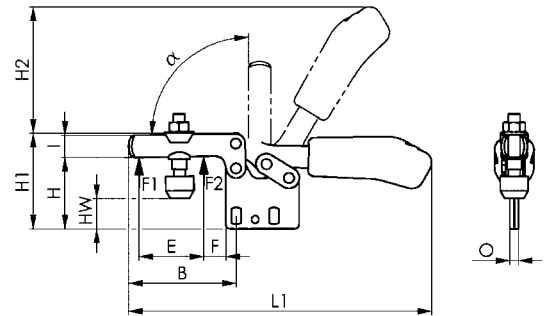
Complete with tempered, matte-black clamping screw no. 6890B.

Order no.	Size	F1 [kN]	F2 [kN]	Clamping screw	Weight [g]
90290	0	0,3	0,4	M4x32	35
90308	1	0,8	1,1	M5x38	105
482471	1	0,8	1,1	-	95
90530	2	1,0	1,2	M6x45	185
456400	2	1,0	1,2	-	170
90381	3	1,8	2,5	M8x58	320
482497	3	1,8	2,5	-	280

Note:

These clamps are suitable for photogrammetric use. The matte-black surface of the clamps prevents reflection while photographing.

For suitable clamping arm extension see no. 6896.



Recommendations



No. 6890B,
page 109



No. 6830B,
page 66



No. 6800B,
page 64

Dimensions:

Order no.	Size	A	B	C	D	D1	E	F	H	H1	H2	HW min.	HW max.	I	K	L	L1	M	M1	N	O	P	α
90290	0	4	28,0	11,5-15,5	4,6	-	9,0	5,5	24,5	33	34	2,2	13,7	7,5	6,25	-	79,0	20,0	-	12	3	25,5	90°
90308	1	5	41,7	13,0-15,5	5,2	-	18,5	8,0	31,5	43	49	8,9	14,8	10,0	5,50	-	119,7	23,5-25,5	24,5	18	5	34,0	90°
482471	1	5	41,7	13,0-15,5	5,5	-	18,5	8,0	31,5	43	49	-	-	10,0	5,50	-	119,7	23,5-25,5	24,5	18	5	34,0	90°
90530	2	6	64,0	26,0	5,6	5,6	32,0	16,0	40,0	61	68	14,0	22,0	13,2	6,00	12,7	164,0	29,5-34,0	34,0	21	5	38,0	90°
456400	2	6	64,0	26,0	5,6	5,6	32,0	16,0	40,0	61	68	-	-	13,2	6,00	12,7	164,0	29,5-34,0	34,0	21	5	38,0	90°
90381	3	8	73,0	25,7	6,5	5,1	39,0	12,0	49,0	65	86	9,0	22,0	15,0	7,00	13,0	206,0	37,5-42,5	42,0	27	6	50,0	90°
482497	3	8	73,0	25,7	6,5	5,1	39,0	12,0	49,0	65	86	-	-	15,0	7,00	13,0	206,0	37,5-42,5	42,0	27	6	50,0	90°



CAD

No. 6835B-2

Horizontal toggle clamp, black

With open clamping arm and vertical, open base.

Matte black surface. Stainless steel rivets, which run in hardened bushes. Bearings are pre-lubricated.

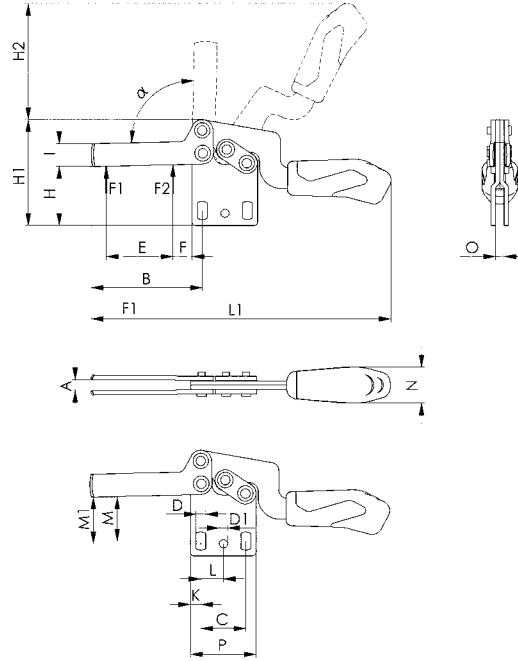
Ergonomic, oil-resistant black handle with large grip surface and soft components. Lock washer for the thrust bolt at the end of the clamping arm.

Order no.	Size	F1 [kN]	F2 [kN]	Weight [g]
90670	2	1,0	1,2	190

Note:

These clamps are suitable for photogrammetric use. The matte-black surface of the clamps prevents reflection while photographing.

For suitable clamping arm extension see no. 6896.



Recommendations



No. 6896,
page 112



No. 6890B,
page 109

Dimensions:

Order no.	Size	A	B	C	D	D1	E	F	H	H1	H2	I	K	L	L1	M	M1	N	O	P	α
90670	2	6,2	64	26,0	5,6	4,8	38,6	11,0	34	61	67	13,2	6	13,1	173,5	23,0-28,0	27	21	5	38	90°

CAD



Subject to technical alterations.

No. 6835B-3

Horizontal toggle clamp, black

With open clamping arm and vertical, open base.

Matte black surface. Stainless steel rivets, which run in hardened bushes. Bearings are pre-lubricated.

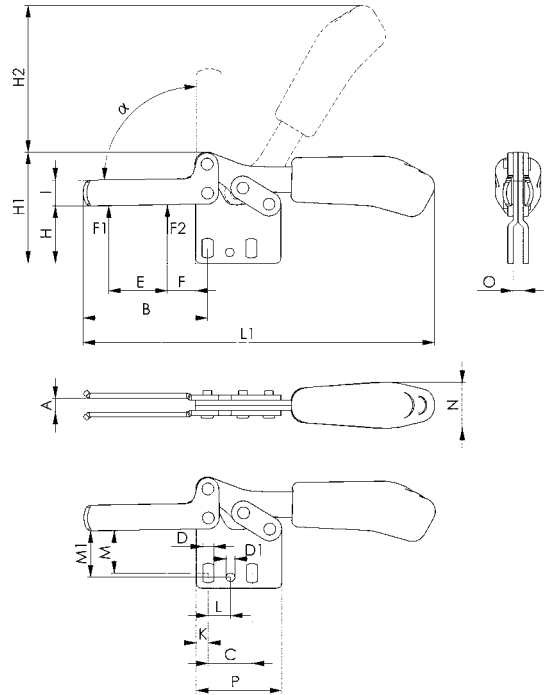
Ergonomic, oil-resistant black handle with large grip surface and soft components. Lock washer for the thrust bolt at the end of the clamping arm.

Order no.	Size	F1 [kN]	F2 [kN]	Weight [g]
90696	3	1,8	2,5	320

Note:

These clamps are suitable for photogrammetric use. The matte-black surface of the clamps prevents reflection while photographing.

For suitable clamping arm extension see no. 6896.



Recommendations



No. 6896,
page 112



No. 6890B,
page 109

Dimensions:

Order no.	Size	A	B	C	D	D1	E	F	H	H1	H2	I	K	L	L1	M	M1	N	O	P	α
90696	3	8,0	73	25,7	6,5	5,1	34,5	16,5	34	65	86	15,0	7	13,0	206,0	22,5-27,5	27	27	6	50	90°



No. 6841B

Push-pull type toggle clamp, black

With small angle base. Push- and pull-clamping. (Equal operation of rod and lever). Long rod-guide with attaching thread and nut. Matte black surface. Stainless steel rivets. Lever parts and rod of tempered steel. Bearings are pre-lubricated. Ergonomic, oil-resistant black handle with large grip surface and soft components. Lever can be set to any angle relative to base. **Complete with tempered, matte-black clamping screw no. 6880B.**

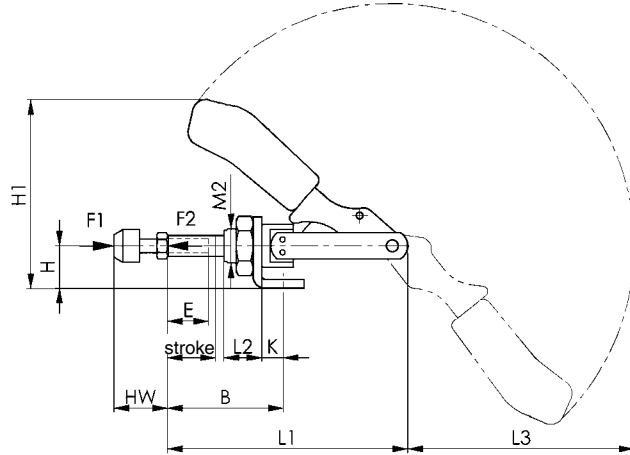


CAD

Order no.	Size	F1 [kN]	F2 [kN]	Clamping screw	Weight [g]
90548	1	1,0	1,0	M4x20	125
91280	2	2,0	2,0	M6x25	245

Note:

These clamps are suitable for photogrammetric use. The matte-black surface of the clamps prevents reflection while photographing.



Recommendations



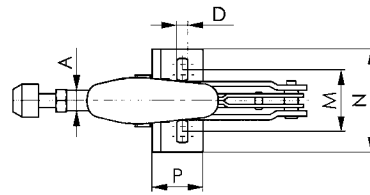
No. 6880B, page 109



No. 6800B, page 64



No. 6830B, page 66



Dimensions:

Order no.	Size	A	B min.	B max.	D	E	H	H1	Stroke	HW min.	HW max.	K	L1	L2	L3	M	M2	N	P
90548	1	8,0	24,5	44,5	4,5	20	15	60	20	12	20	7,0	91	16	72	16,0-19,5	M12x1,5	30	20
91280	2	10,0	32,5	57,5	5,6	25	20	95	26	17	25	12,5	114	19	105	31,8-36,0	M16x1,5	50	34

No. 6845B

Push-pull type toggle clamp, black

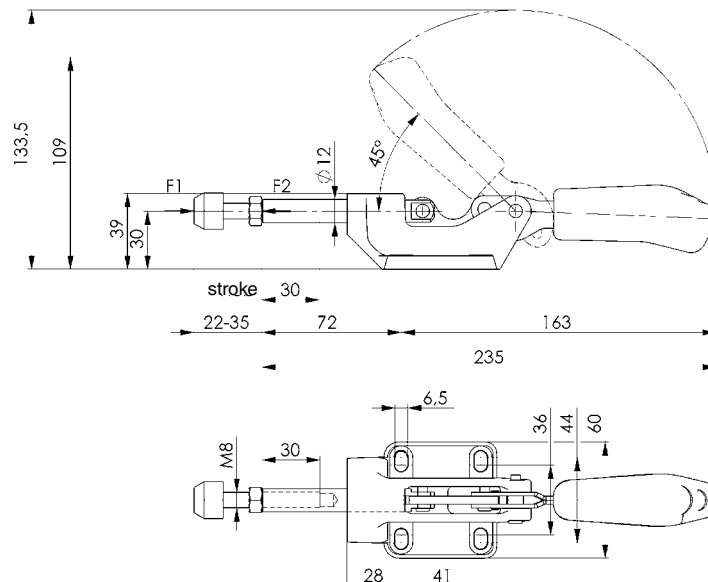
Push clamp.

(Opposed operation of rod and lever). Version with long rod guide. Basic body of malleable cast iron, matt black surface. Lever parts and rod of tempered steel, matte-black galvanised. Stainless steel rivets, which run in hardened bushes. Bearings are pre-lubricated. Ergonomic, oil-resistant handle with large grip surface and soft components.

Complete with tempered, matte-black clamping screw no. 6880B-3.



Order no.	Size	F1 [kN]	Clamping screw	Weight [g]
99663	3	4	M8 x 44	540



Subject to technical alterations.

No. 6800BS

Vertical toggle clamp with safety latch, black

For open and clamped positions. With open clamping arm and horizontal base.

Matte black surface. Stainless steel rivets, which run in hardened bushes. Bearings are pre-lubricated.

Ergonomic, oil-resistant black handle with large grip surface and soft components. Safety clamping piece with finger protection.

Lock washer for the thrust bolt at the end of the clamping arm.

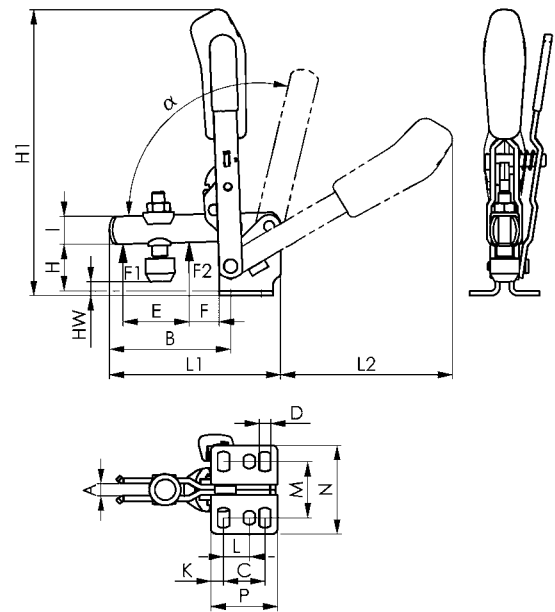
Complete with tempered, matte-black clamping screw no. 6890B.

Order no.	Size	F1 [kN]	F2 [kN]	Clamping screw	Weight [g]
91348	2	1,0	1,2	M6x46	260

Note:

These clamps are suitable for photogrammetric use. The matte-black surface of the clamps prevents reflection while photographing.

For suitable clamping arm extension see no. 6896.



Recommendations



No. 6890B,
page 109



No. 6800B,
page 64



No. 6802B,
page 65

Dimensions:

Order no.	Size	A	B	C	D	E	F	H	H1	HW min.	HW max.	I	K	L	L1	L2	M	N	P	α	α^*
91348	2	6	52	20	5,5	26	11	23	139	-4,4	4,4	12	6	12,5	78	88	23-31	43	32	105°	60°

* The opening angle can be changed by pressing in a stop pin.



No. 6802BS

Vertical toggle clamp with safety latch, black

For open and clamped positions. With open clamping arm and vertical base.

Matte black surface. Stainless steel rivets, which run in hardened bushes. Bearings are pre-lubricated.

Ergonomic, oil-resistant black handle with large grip surface and soft components. Safety clamping piece with finger protection. Lock washer for the thrust bolt at the end of the clamping arm.

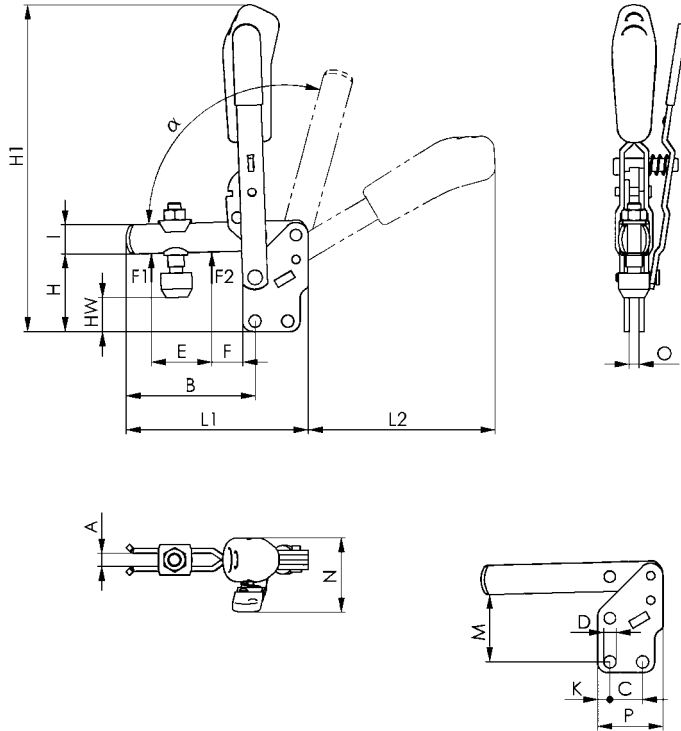
Complete with tempered, matte-black clamping screw no. 6890B.

Order no.	Size	F1 [kN]	F2 [kN]	Clamping screw	Weight [g]
99689	3	1,4	2,5	M8x63	470

Note:

These clamps are suitable for photogrammetric use. The matte-black surface of the clamps prevents reflection while photographing.

For suitable clamping arm extension see no. 6896.



Recommendations



No. 6890B,
page 109



No. 6802B,
page 65



No. 6800B,
page 64

Dimensions:

Order no.	Size	A	B	C	D	E	F	H	H1	HW min.	HW max.	I	K	L1	L2	M	N	O	P	α	α^*
99689	3	8	79	20	7,5	37	19	48	200	16,5	25	18	7,5	112	114	41	45,5	6	40	105°	60°

CAD



Subject to technical alterations.

No. 6832BS

Horizontal toggle clamp with safety latch, black

For open and clamped positions. With open clamping arm and vertical base.

Matte black surface. Stainless steel rivets, which run in hardened bushes. Bearings are pre-lubricated.

Ergonomic, oil-resistant black handle with large grip surface and soft components. Lock washer for the thrust bolt at the end of the clamping arm.

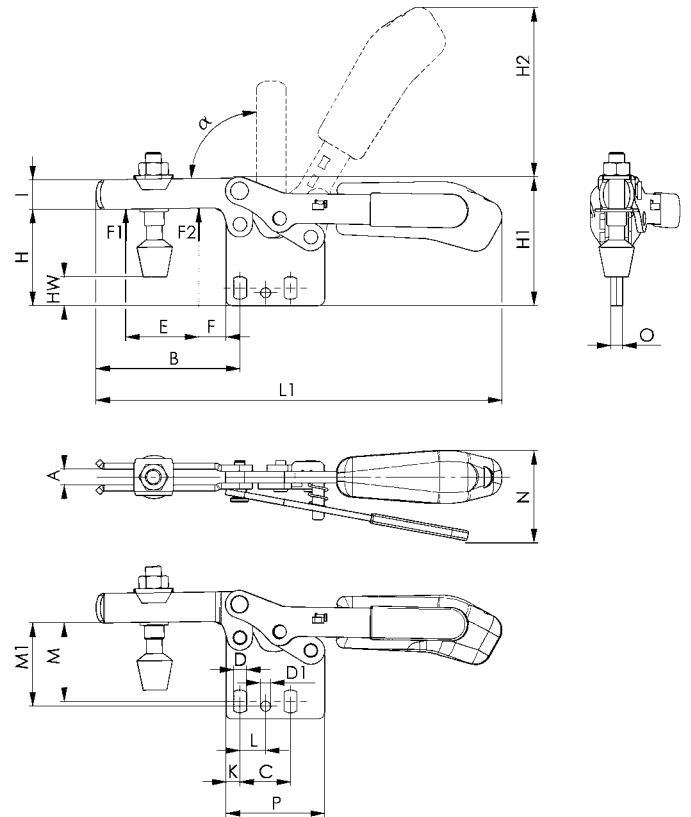
Complete with tempered, matte-black clamping screw no. 6890B.

Order no.	Size	F1 [kN]	F2 [kN]	Clamping screw	Weight [g]
99648	3	1,8	2,5	M8x63	390

Note:

These clamps are suitable for photogrammetric use. The matte-black surface of the clamps prevents reflection while photographing.

For suitable clamping arm extension see no. 6896.



Recommendations



No. 6896,
page 112



No. 6890B,
page 109



No. 6835BS-2,
page 74

Dimensions:

Order no.	Size	A	B	C	D	D1	E	F	H	H1	H2	HW min.	HW max.	I	K	L	L1	M	M1	N	O	P	α
99648	3	8	73	25,7	6,5	5,1	37	14	49	65	86	9	22	15	7	13	206	38-42	42	47	6	50	90°



CAD

No. 6835BS-2

Horizontal toggle clamp with safety latch, black

For open and clamped positions. With open clamping arm and vertical, open base.

Matte black surface. Stainless steel rivets, which run in hardened bushes. Bearings are pre-lubricated.

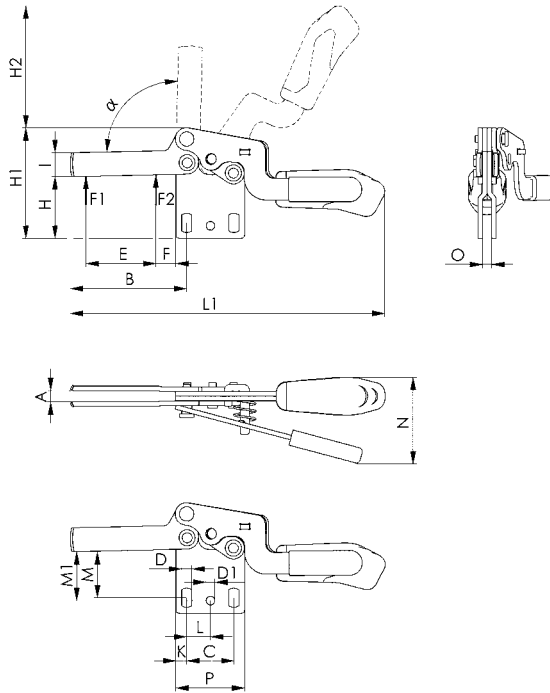
Ergonomic, oil-resistant black handle with large grip surface and soft components. Lock washer for the thrust bolt at the end of the clamping arm.

Order no.	Size	F1 [kN]	F2 [kN]	Weight [g]
90712	2	1,0	1,2	230

Note:

These clamps are suitable for photogrammetric use. The matte-black surface of the clamps prevents reflection while photographing.

For suitable clamping arm extension see no. 6896.



Recommendations



No. 6896,
page 112



No. 6890B,
page 109



No. 6832BS,
page 73

Dimensions:

Order no.	Size	A	B	C	D	D1	E	F	H	H1	H2	I	K	L	L1	M	M1	N	O	P	α
90712	2	6,2	64	26,0	5,6	4,8	38,6	11,0	34	61	67	13,2	6	13,1	173,5	23,0-28,0	27	48,0	5	38	90°

CAD



Subject to technical alterations.

No. 6835BS-3

Horizontal toggle clamp with safety latch, black

For open and clamped positions. With open clamping arm and vertical, open base.

Matte black surface. Stainless steel rivets, which run in hardened bushes. Bearings are pre-lubricated.

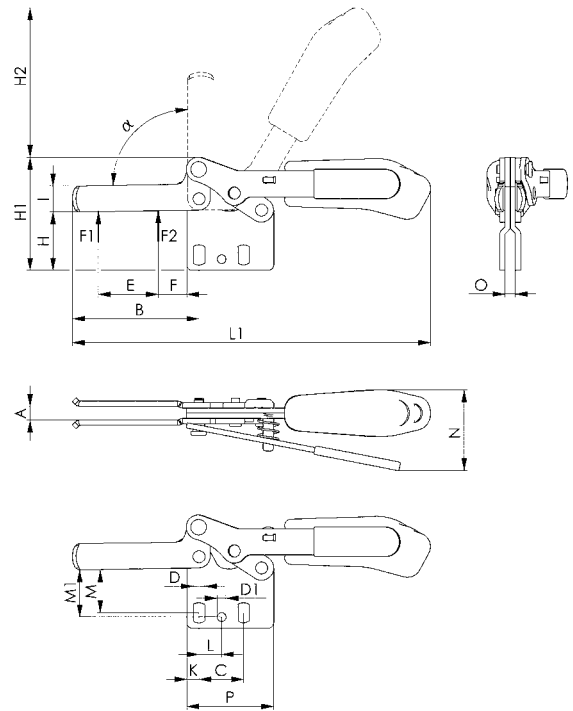
Ergonomic, oil-resistant black handle with large grip surface and soft components. Lock washer for the thrust bolt at the end of the clamping arm.

Order no.	Size	F1 [kN]	F2 [kN]	Weight [g]
90662	3	1,8	2,5	350

Note:

These clamps are suitable for photogrammetric use. The matte-black surface of the clamps prevents reflection while photographing.

For suitable clamping arm extension see no. 6896.



Recommendations



No. 6896,
page 112



No. 6890B,
page 109

Dimensions:

Order no.	Size	A	B	C	D	D1	E	F	H	H1	H2	I	K	L	L1	M	M1	N	O	P	α
90662	3	8,0	73	25,7	6,5	5,1	34,5	16,5	34	65	86	15,0	7	13,0	206,0	22,5-27,5	27	46,5	6	50	90°



> AMF PNEUMATIC TOGGLE CLAMPS

have definite advantages over the manual toggle clamps:

- > relieve operator of strenuous clamping movement
- > a number of clamps can be used simultaneously
- > a number of clamps can be operated with different sequences
- > one or more clamps can be controlled from the machine panel
- > one or more clamps can be operated from different positions.

> ADVANTAGES OF THE TOGGLE ACTION...

- > in the event of air failure, clamp stays locked
- > low air consumption with maximum leverage
- > large opening angle, clearing the component for easy removal
- > assures maximum power-to movement ratio.

> SELECTION GUIDE

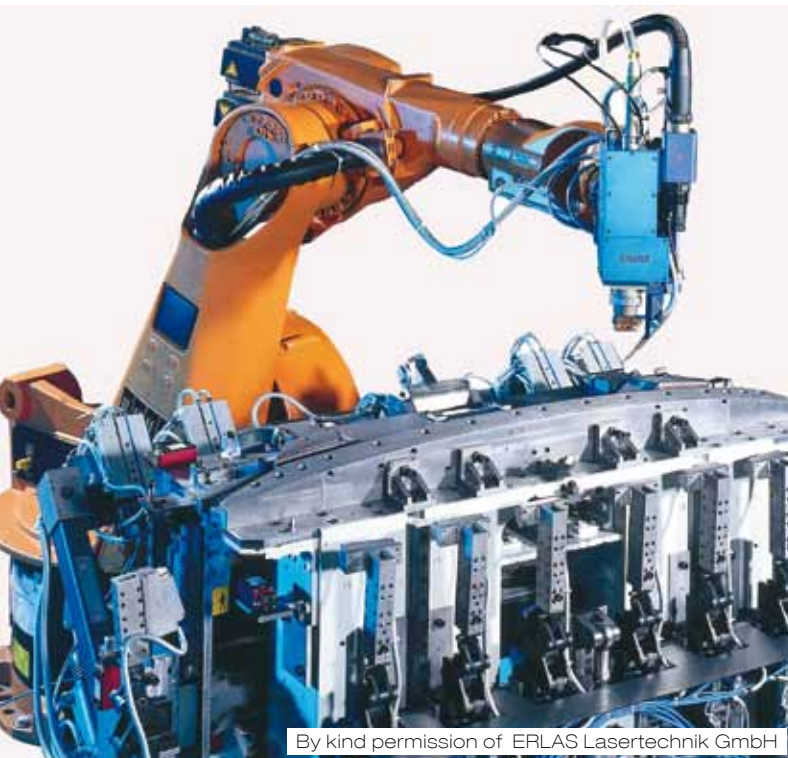
The pneumatic toggle clamp no. 6820 correspond in design and dimensions to the mechanical toggle clamp no. 6800. Therefore hand operated clamps can be replaced with pneumatic toggle clamps - if required.

Heavy duty pneumatic toggle clamps no. 6825C/CE and no. 6826C/CE are recommended to be incorporated in special and transfer machines. Tempered and ground bolts guarantee long life. The push type pneumatic toggle clamp no. 6850 corresponds in design and dimensions to the mechanical toggle clamp no. 6842 when pushed/closed, maximum forces of 2.5 - 10 kN can be reached.

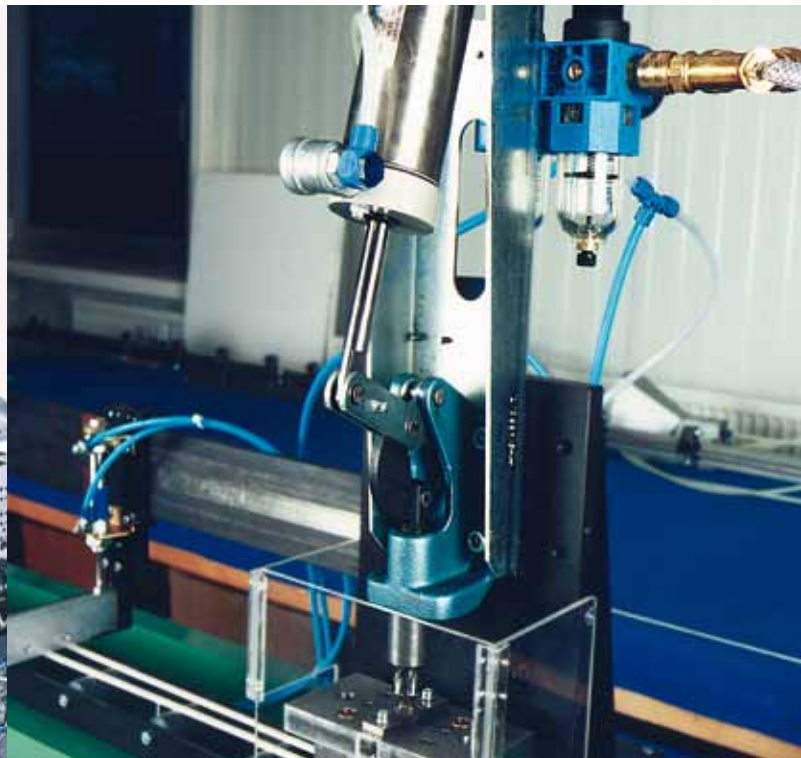
> CLAMPING AND HOLDING FORCES

As already explained for the hand operated toggle clamps, the selection of the correct clamp is of utmost importance. To select the correct size of pneumatic clamp, apart from the holding force, the possible clamping force at 6 bar air pressure (other pressure media may also be used at pressures up to max. 10 bar) is indicated in the tables

- > F3 is the possible clamping force at the end of the arm.
- > F4 is the force applied at the fulcum.
- > F5 is the piston force 6 bar air pressure.



By kind permission of ERLAS Lasertechnik GmbH



No. 6850

Push type pneumatic toggle clamp

Thrust clamp

Heavy version for long working life. Fitted with double-acting FESTO pneumatic cylinder with flow-restriction drillings for reduced speed, anodised, assembled and ready to connect.

Sizes 3 with magnetic piston to signal end positions, for sizes 5 and 7, end position monitoring is not possible.

Materials: console galvanized and passivated, clamp body is malleable iron casting, painted. Toggle parts and push rod are heat-treated steel, galvanized and passivated. Rivet is stainless steel. Bearings are pre-lubricated.

Complete with tempered, galvanized clamping screw no. 6880.



CAD

Order no.	Size	F1 [kN]	F3 [kN]	F5 [kN]	Vn [dm ³]	Clamping screw	Weight [g]
95034	3	4	2,5	0,75	0,8	M8x35	1800
95059	5	10	5,0	1,00	2,2	M12x50	3400
95075	7	25	10,0	1,80	4,5	M12x50	7680

F3 = maximum clamping force at 6 bar.

Vn = Air consumption per double stroke in dm³ at 6 bar.

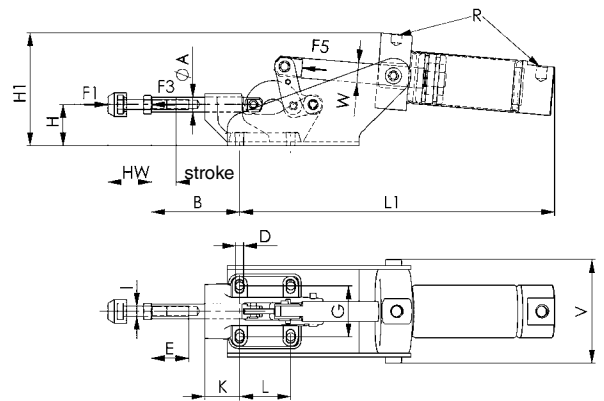
Note:

Sizes 5 and 7 are not to design, and have long consoles.

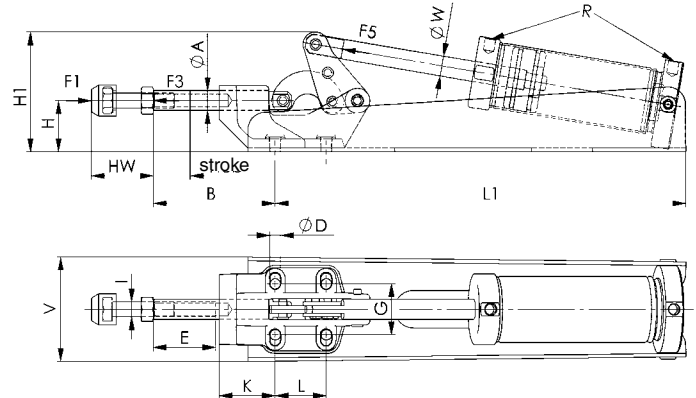
Please enquire separately for suitable fastening kits and proximity switches for end position monitoring.



Size 3



Size 5, 7



Recommendations



No. 6842,
page 31



No. 6820A,
page 80



No. 6825C,
page 82

Dimensions:

Order no.	Size	dia. A	B	D	E	G	H	H1	Stroke	HW min.	HW max.	I	K	L	L1	R	V	dia. W	Piston dia.	Piston stroke
95034	3	12	71	6,5	30	41	33	91	20,0	21,5	35	M 8	28	41	253	G1/8	83	16	40	62
95059	5	16	98	8,5	50	41	41	96	29,6	30,0	50	M12	45	41	330	G1/8	80	16	50	100
95075	7	22	105	11,0	50	57	59	128	38,0	30,0	50	M12	45	70	423	G1/4	96	16	63	125

Piston dia. = Cylinder dia. required for piston force F5 at 6 bar air pressure.

No. 6860P

Combi-clamp, pneumatic

Galvanized and passivated. Stainless steel rivets which run in case-hardened bearing bushes. Bearing points greased. Equipped with pneumatic cylinder, double-acting, red anodised.

With magnetic piston for limit position query.



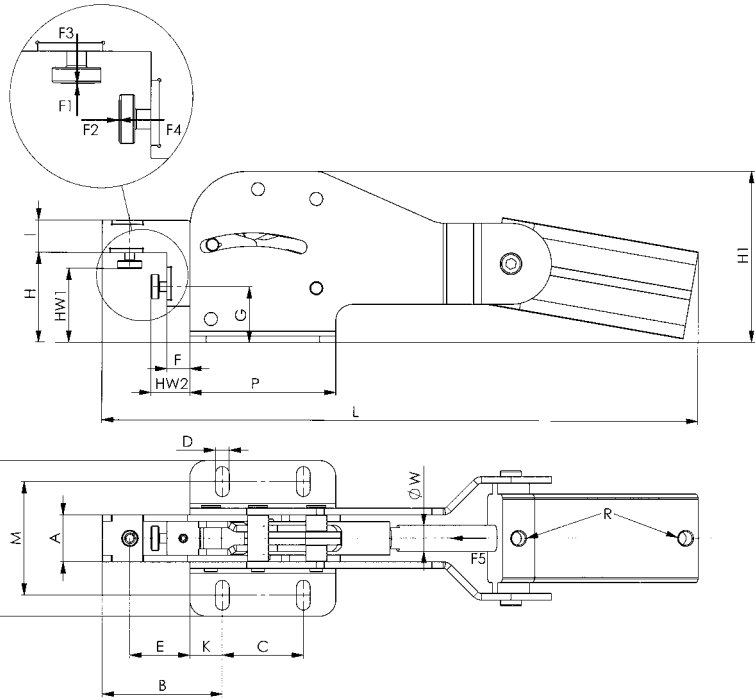
CAD

Order no.	Size	F1 [kN]	F2 [kN]	F3 [kN]	F4 [kN]	F5 [kN]	Vn [dm ³]	Weight [g]
90787	1	1,0	1,0	0,3	0,12	0,26	0,26	770
91488	2	2,0	2,0	0,5	0,25	0,35	0,35	1450
92163	3	3,0	3,0	0,7	0,35	0,80	0,80	3050

F3 or F4 = max. achievable clamping force at 6 bar.
Vn = air consumption per double stroke in dm³ at 6 bar.

Note:

Suitable proximity switches for end-position monitoring are available using order no. 392241. 0.3 m PUR cable with M8 connector and rotatable knurled nuts.
Switching function: NOC. Output: PNP.



Recommendations



No. 6860,
page 26

Dimensions:

Order no.	Size	A	B	C	D	E	F	G	H	H1	HW1 min.	HW1 max.	HW2 min.	HW2 max.	I	K
90787	1	17,0	33	40	5,5	15	0,5	22	36,0	68	25	32	5	10	12	7,5
91488	2	19,5	56	50	6,5	32	10,5	28	46,0	88	30	40	10	20	16	12,5
92163	3	29,0	74	50	8,5	37	14,0	34	55,5	106	40	50	20	30	20	20,0

Order no.	Size	L	M	N	P	R	dia. W	Piston dia.
90787	1	225	34,5-39,5	53	55	M5	10	25
91488	2	305	55	75	75	G1/8	12	32
92163	3	370	70	96	90	G1/8	16	40

Subject to technical alterations.

No. 6820K

Pneumatic toggle clamp

with horizontal cylinder attachment.

Fitted with FESTO plastic pneumatic cylinder, double-acting and ready to connect. Clamps galvanized and passivated, rivets made of stainless steel, which, for sizes 2 and 3, run in hardened bushings. Bearings are pre-lubricated. **Complete with tempered, galvanized clamping screw no. 6890.** The console is self-supporting and must be clear of other surfaces. The speed of operation is controlled with a valve. For sizes 2 and 3, the front air connection is on the side.

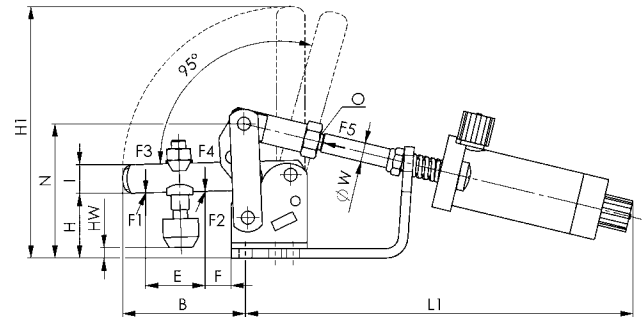


CAD

Order no.	Size	F1 [kN]	F2 [kN]	F3 [kN]	F4 [kN]	F5 [N]	Vn [dm ³]	Clamping screw	Weight [g]
91710	0	0,5	0,7	0,07	0,09	38	0,03	M4x25	125
91728	1	0,8	1,1	0,13	0,18	60	0,06	M5x30	400
91736	2	1,0	1,2	0,35	0,50	170	0,17	M6x35	600
91744	3	1,4	2,5	0,55	1,00	265	0,30	M8x45	800

F3+F4 = maximum clamping force at 6 bar.

Vn = Air consumption per double stroke in dm³ at 6 bar.



Recommendations



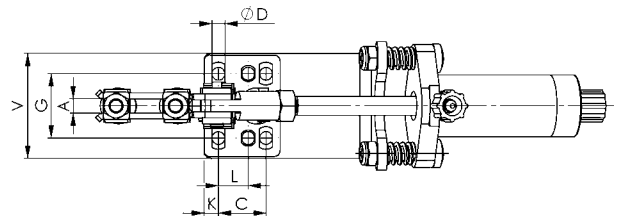
No. 6891,
page 111



No. 6821A,
page 81



No. 6825CE,
page 84



Dimensions:

Order no.	Size	A	B	C	dia. D	E	F	G	H	H1	HW min.	HW max.	I	K
91710	0	4	31	13,5	4,5	16	10	23	20	70	-1	6	8	5,0
91728	1	5	38	16,0	4,5	19	14	24	23	85	-2	5	10	6,0
91736	2	6	51	20,0	5,4	27	20	27	27	105	-1	8	12	6,0
91744	3	8	80	20,0	7,1	43	27	32	40	155	2	14	18	7,5

Order no.	Size	L	L1	N	O	V	dia. W	Piston dia.	Piston stroke	Dia. of compressed-air hoses Inside dia. x Outside dia.
91710	0	-	132	40	40	33	4	10	40	3x4,3
91728	1	-	145	45	45	34	6	12	40	4x6,2
91736	2	12,5	163	56	56	44	8	20	40	4x6,2
91744	3	-	206	76	76	50	10	25	50	4x6,2

Connection for plastic tube, FESTO-NW3 for 10 mm piston dia., FESTO-NW4 for 12, 20 and 25 mm piston dias.
Piston dia. = Cylinder dia. required for piston force F5 at 6 bar air pressure.

No. 6820A

Pneumatic clamp

with horizontal cylinder attachment.
 Fitted with pneumatic cylinder, double-acting. **With magnetic piston for end-position monitoring.** With throttle bores for reduced speed. Clamps are galvanised and passivated. Stainless steel rivets which, for sizes 2 to 4, run in hardened bearing bushes. Bearings positioned are lubricated.
Complete with tempered, galvanised clamping screw no. 6890.



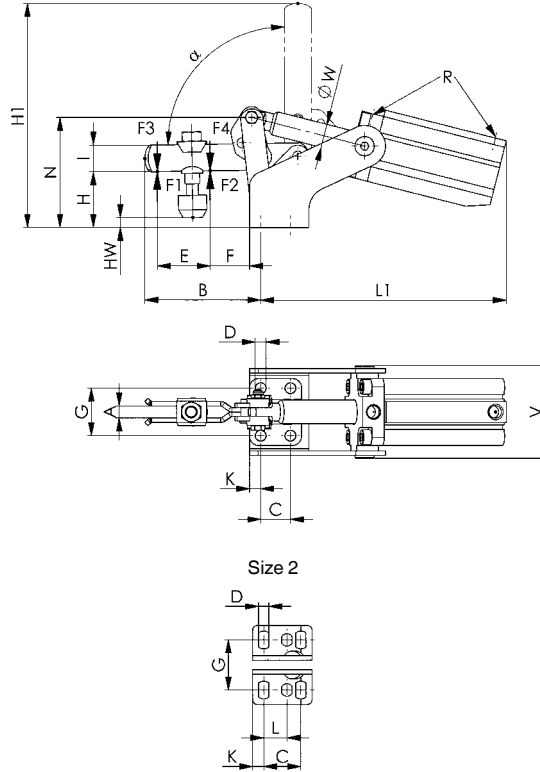
CAD

Order no.	Size	F1 [kN]	F2 [kN]	F3 [kN]	F4 [kN]	Vn [dm ³]	Clamping screw	Weight [g]
555061	1	0,8	1,1	0,20	0,3	0,08	M5 x 30	320
555062	2	1,0	1,2	0,70	1,0	0,26	M6 x 30	600
555063	3	1,0	2,5	0,65	1,1	0,35	M8 x 45	1005
555064	4	2,0	3,0	1,50	2,2	0,80	M8 x 65	1520

Note:

Suitable proximity switches for end-position monitoring are available using order no. 392241. 0.3 m PUR cable with M8 connector and rotatable knurled nuts.
 Switching function: NOC. Output: PNP.

NEW!



Recommendations



No. 6895,
page 113



No. 6821A,
page 81

Dimensions:

Order no.	Size	A	B	C	D	E	F	G	H	H1	HW min.	HW max.	I	K	L	L1	N	R	V	dia. W	Piston dia.	Opening angle α
555061	1	5	39,0	16	4,5	18	6	24	21,0	84	-2,0	4,5	10	6,0	-	126,0	45,5	M5	50,0	8	16	92,0°
555062	2	6	51,5	20	5,5	25	11	27	26,0	104	-1,0	7,0	12	6,0	12,5	145,0	55,0	M5	54,5	12	25	91,5°
555063	3	8	78,0	20	7,5	36	19	32	36,5	151	5,4	14,0	18	7,5	-	165,5	74,5	G1/8	62,5	16	32	90,0°
555064	4	10	101,0	32	8,6	45	25	45	45,0	191	-3,0	25,5	20	13,0	-	196,0	90,0	G1/8	77,5	16	40	90,5°

Subject to technical alterations.

No. 6821A

Pneumatic clamp

with vertical cylinder structure.
 Space-saving angled form. Vertical or horizontal mounting.
 Fitted with pneumatic cylinder, double-acting. **With magnetic piston for end-position monitoring.** With throttle bores for reduced speed. Clamps are galvanised and passivated.
 Stainless steel rivets, which run in hardened bearing bushes.
 Bearings positioned are lubricated.
Complete with tempered, galvanised clamping screw no. 6890.

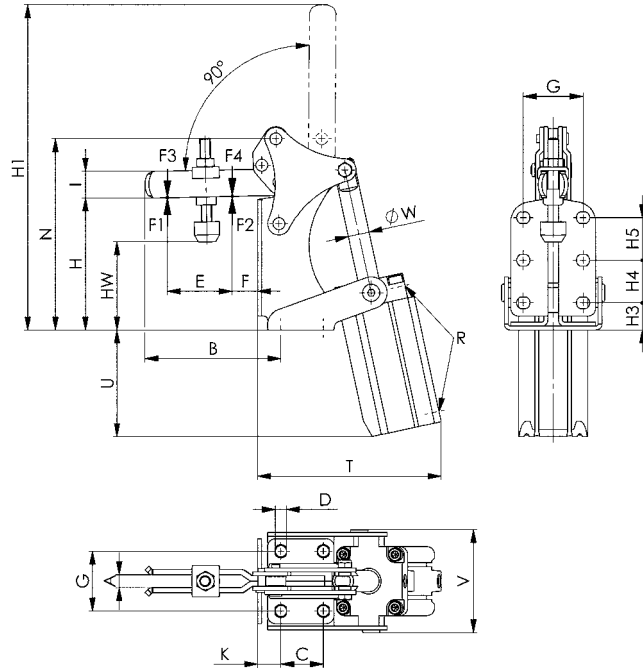


Order no.	Size	F1 [kN]	F2 [kN]	F3 [kN]	F4 [kN]	Vn [dm³]	Clamping screw	Weight [g]
555065	2	1	1,2	0,70	1,0	0,26	M6 x 35	625
555066	3	1	2,5	0,65	1,1	0,35	M8 x 45	1025
555067	4	2	3,0	1,50	2,2	0,80	M8 x 65	1700

Note:

Suitable proximity switches for end-position monitoring are available using order no. 392241. 0.3 m PUR cable with M8 connector and rotatable knurled nuts.
 Switching function: NOC. Output: PNP.

NEW!



Recommendations



No. 6895,
page 113



No. 6829V,
page 89



No. 6826C,
page 85

Dimensions:

Order no.	Size	A	B	C	D	E	F	G	H	H1	H3	H4	H5	HW min.	HW max.	I	K	N	R	T	U	V	dia. W	Piston dia.
555065	2	6	56,5	12,5	5,6	25	6,5	27	65,0	143,5	15,8	12,5	12,5	38,4	45,0	12	15,3	94	M5	93,0	67,5	54,5	12	25
555066	3	8	80,5	16,0	6,5	36	12,5	25	68,7	184,0	17,5	16,0	-	38,0	46,5	18	16,5	107	G1/8	112,5	78,0	62,5	16	32
555067	4	10	102,0	32,0	8,5	49	19,0	45	100,0	245,0	20,5	32,0	32,0	51,0	80,0	20	17,5	144	G1/4	139,0	80,0	77,5	16	40

No. 6825C

Heavy pneumatic toggle clamp

with horizontal cylinder attachment.
Tempering steel, burnished. The axle bolts running in bearing bushes are tempered, ground and locked with circlips.

Magnetic piston for end-position monitoring.

Clamp is ready for installation and consists of:
- toggle clamp element no. 6815C
- double acting FESTO pneumatic cylinder



Order no.	Size	F1 [kN]	F2 [kN]	F3 [kN]	F4 [kN]	F5 [kN]	Vn [dm ³]	Weight [g]
92205	4	6	9	1,5	2,2	0,75	1,0	4380
92213	6	12	18	2,5	3,5	1,00	1,8	7360
92221	8	20	30	4,0	6,0	1,80	4,3	16800

F3+F4 = maximum clamping force at 6 bar.

Vn = Air consumption per double stroke in dm³ at 6 bar.

Application:

These pneumatic toggle clamps are of machine tool quality and can be installed in machines such as material handling lines and special machines. Opening and clamping position of the clamp can be controlled electrically and can be intergrated into automated manufacturing.

Note:

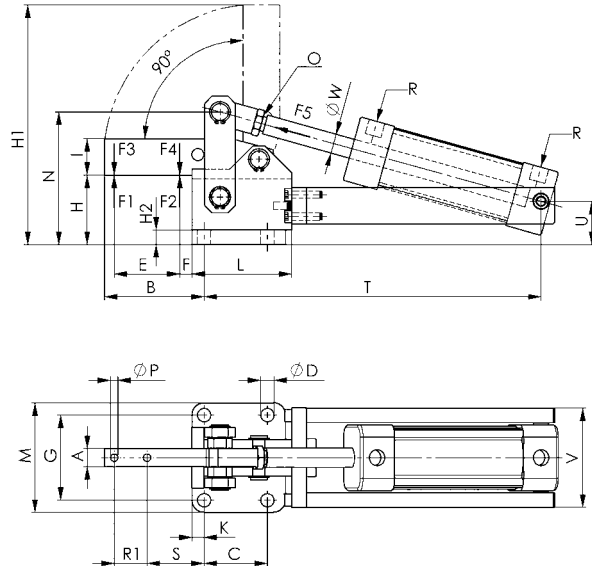
This heavy pneumatic toggle clamp is also available in a hydraulicdrive version (article no. 6960C). In case of interest, please ask for our catalogue „Hydraulic Clamping Systems“.

Suitable proximity switches for end-position monitoring are available using order no. 392241.

Design: PUR cable 0.3 m with M8 plug connection and rotating knurled nuts.

Switching function: NOC.

Output: PNP.



Recommendations



No. 6885,
page 110



No. 6825CE,
page 83



No. 6828M,
page 90

Dimensions:

Order no.	Size	A	B	C	dia. D	E	F	G	H	H1	H2	I	K	L
92205	4	15	82	52	11	54	10,0	70	57	197	12	30	10,0	82
92213	6	20	90	55	11	60	10,0	83	61	220	12	40	11,0	90
92221	8	30	128	80	13	95	9,5	111	86	310	12	60	12,5	120

Order no.	Size	M	N	O	dia. P	R	R1	S	T	U	V	dia. W	Piston dia.	Piston stroke
92205	4	90	109	M12x1,25	6,2	G1/4	27	47,0	277	35,5	82	16	40	80
92213	6	105	129	M16x1,50	8,2	G1/4	26	53,0	315	40,0	101	16	50	100
92221	8	135	176	M16x1,50	13,2	G1/4	40	69,5	383	54,0	123	20	63	120

Piston dia. = Cylinder dia. required for piston force F5 at 6 bar air pressure.

No. 6825CE

Heavy pneumatic toggle clamp

with horizontal cylinder attachment.

With adjustable end position cushioning.

Magnetic piston for end-position monitoring. Tempered

steel, blued. The axle bolts running in bronze bushes are

tempered, ground and locked with circlips.

Clamp is ready for installation and consists of:

- toggle clamp element no. 6815C

- double acting FESTO pneumatic cylinder

- bearing block

These cylinders are made to DIN ISO 6432.



CAD

Order no.	Size	F1 [kN]	F2 [kN]	F3 [kN]	F4 [kN]	F5 [kN]	Vn [dm ³]	Weight [g]
92106	0	0,6	1,0	0,2	0,4	0,10	0,10	260
92122	1	0,8	1,2	0,6	0,8	0,19	0,15	500

F3+F4 = maximum clamping force at 6 bar.

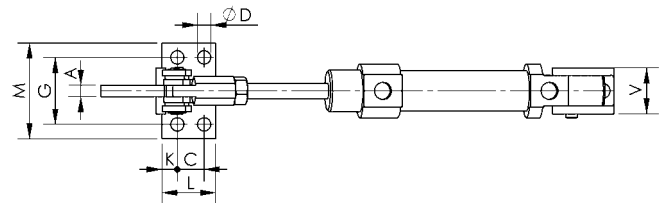
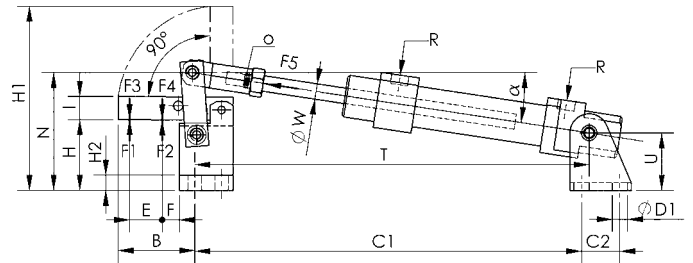
Vn = Air consumption per double stroke in dm³ at 6 bar.

Application:

These pneumatic toggle clamps are of machine tool quality and can be installed in machines such as material handling lines and special machines. Opening and clamping position of the clamp can be controlled electrically and can be integrated into automated manufacturing.

Note:

Please enquire separately for suitable fastening kits and proximity switches for end position monitoring.



Recommendations



No. 6825C,
page 82



No. 6825CE,
page 84



No. 6828V,
page 96

Dimensions:

Order no.	Size	A	B	C	C1	C2	dia. D	dia. D1	E	F	G	H	H1	H2	I
92106	0	5	34	11	175	15	4,5	5,5	14	7	27	26	76	6	10
92122	1	6	41	14	200	20	7,0	6,5	17	9	35	37	96	8	12

Order no.	Size	K	L	M	N	O	R	T	U	V	dia. W	α	Piston dia.	Piston stroke
92106	0	5,5	22	35	47,5	M6	M5	177	27	18	6	6,6°	16	40
92122	1	8,0	28	50	62,0	M8	G1/8	204	30	24	8	9,0°	20	40

Piston dia. = Cylinder dia. required for piston force F5 at 6 bar air pressure.

No. 6825CE

Heavy pneumatic toggle clamp

with horizontal cylinder attachment.
With swivel mounting and adjustable end position cushioning.

Magnetic piston for end-position monitoring. Tempering steel, burnished. The axle bolts running in bearing bushes are tempered, ground and locked with circlips.

Clamp is ready for installation and consists of:

- toggle clamp element no. 6815C
- double acting FESTO pneumatic cylinder.

These cylinders are made to

- ISO 6431
- VDMA 24562
- NFE 49003.1
- UNI 10290



CAD

Order no.	Size	F1 [kN]	F2 [kN]	F3 [kN]	F4 [kN]	F5 [kN]	Vn [dm ³]	Weight [g]
92239	4	6	9	1,5	2,2	0,75	1,0	5500
92247	6	12	18	2,5	3,5	1,00	1,8	7800
92254	8	20	30	4,0	6,0	1,80	4,3	17800

F3+F4 = maximum clamping force at 6 bar.

Vn = Air consumption per double stroke in dm³ at 6 bar.

Application:

These pneumatic toggle clamps are of machine tool quality and can be installed in machines such as material handling lines and special machines. Opening and clamping position of the clamp can be controlled electrically and can be integrated into automated manufacturing.

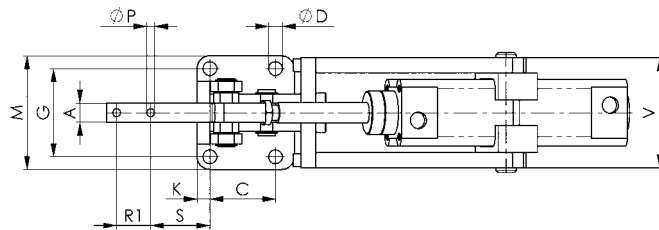
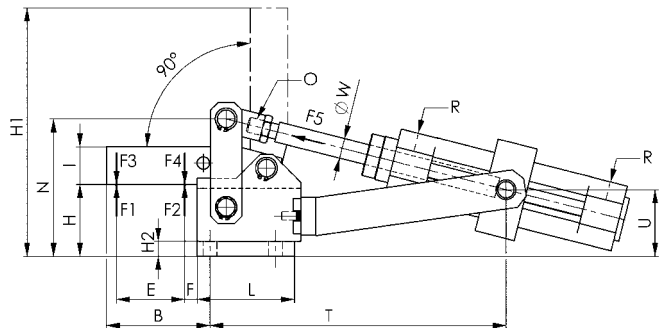
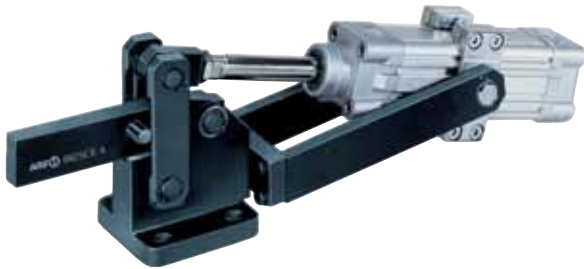
Note:

Suitable proximity switches for end-position monitoring are available using order no. 392241.

Design: PUR cable 0.3 m with M8 plug connection and rotating knurled nuts.

Switching function: NOC.

Output: PNP.



Recommendations



No. 6820A,
page 80



No. 6825C,
page 82



No. 6826CE,
page 86

Dimensions:

Order no.	Size	A	B	C	dia. D	E	F	G	H	H1	H2	I	K	L	M
92239	4	15	82	52	11	54	10,0	70	57	197	12	30	10,0	77,0	90
92247	6	20	90	55	11	60	10,0	83	61	218	12	40	11,0	85,0	105
92254	8	30	128	80	13	95	9,5	111	86	314	12	60	12,5	112,5	135

Order no.	Size	N	O	dia. P	R	R1	S	T	U	V	dia. W	Piston dia.	Piston stroke
92239	4	109	M12x1,25	6,2	G1/4	27	47,0	235	53	87,5	16	40	80
92247	6	129	M16x1,50	8,2	G1/4	26	53,0	280	55	101,0	20	50	100
92254	8	176	M16x1,50	13,2	G3/8	40	69,5	320	78	114,5	20	63	125

Piston dia. = Cylinder dia. required for piston force F5 at 6 bar air pressure.

Subject to technical alterations.

No. 6826C

Heavy pneumatic toggle clamp

with vertical cylinder attachment.

Tempering steel, burnished. The axle bolts running in bearing bushes are tempered, ground and locked with circlips. **With magnetic piston for end-position monitoring.** The clamp is ready for installation. With double-acting FESTO pneumatic cylinder.



CAD

Order no.	Size	F1 [kN]	F2 [kN]	F3 [kN]	F4 [kN]	F5 [kN]	Vn [dm ³]	Weight [g]
92262	4	6	9	1,5	2,2	0,75	1,0	5100
92270	6	12	18	2,5	3,5	1,00	1,8	7250
92288	8	20	30	4,0	6,0	1,80	4,3	16800

F3+F4 = maximum clamping force at 6 bar.

Vn = Air consumption per double stroke in dm³ at 6 bar.

Application:

These pneumatic toggle clamps are of machine tool quality and can be installed in machines such as material handling lines and special machines. Opening and clamping position of the clamp can be controlled electrically and can be intergrated into automated manufacturing.

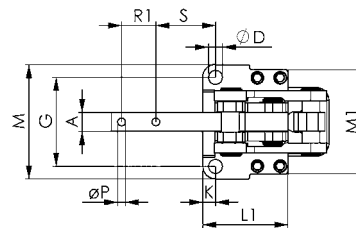
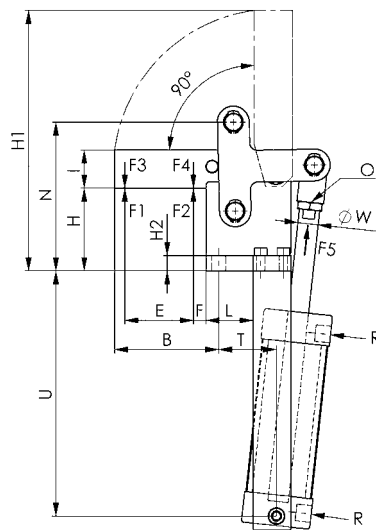
Note:

Suitable proximity switches for end-position monitoring are available using order no. 392241.

Design: PUR cable 0.3 m with M8 plug connection and rotating knurled nuts.

Switching function: NOC.

Output: PNP.



Recommendations



No. 6821A,
page 81



No. 6826CE,
page 86



No. 6828V,
page 96

Dimensions:

Order no.	Size	A	B	dia. D	E	F	G	H	H1	H2	I	K	L	L1
92262	4	15	82	11	54	10,0	70	65	205	12	30	10	37	67,0
92270	6	20	91	13	60	10,0	83	69	226	15	40	12	32	73,5
92288	8	30	125	17	95	9,5	115	94	318	20	60	15	49	109,0

Order no.	Size	M	M1	N	O	dia. P	R	R1	S	T	U	dia. W	Piston dia.	Piston stroke
92262	4	90	82	117	M12x1,25	6,2	G1/4	27	47	46	193	16	40	74
92270	6	107	100	137	M16x1,50	8,2	G1/4	26	54	48	221	16	50	87
92288	8	145	124	184	M16x1,50	13,2	G1/4	40	67	77	255	16	63	120

Piston dia. = Cylinder dia. required for piston force F5 at 6 bar air pressure.

No. 6826CE

Heavy pneumatic toggle clamp

with vertical cylinder attachment.

With swivel mounting and adjustable end position cushioning.

Magnetic piston for end-position monitoring. Tempering steel, burnished. The axle bolts running in bearing bushes are tempered, ground and locked with circlips.

Clamp is ready for installation and consists of:

- toggle clamp element no. 6816CE
- double acting FESTO pneumatic cylinder.

These cylinders are made to

- ISO 6431
- VDMA 24562
- NFE 49003.1
- UNI 10290



Order no.	Size	F1 [kN]	F2 [kN]	F3 [kN]	F4 [kN]	F5 [kN]	Vn [dm ³]	Weight [g]
92296	4	6	9	1,5	2,2	0,75	1,0	5070
92304	6	12	18	2,5	3,5	1,00	1,8	7700
92312	8	20	30	4,0	6,0	1,80	4,3	17800

F3+F4 = maximum clamping force at 6 bar.

Vn = Air consumption per double stroke in dm³ at 6 bar.

Application:

These pneumatic toggle clamps are of machine tool quality and can be installed in machines such as material handling lines and special machines. Opening and clamping position of the clamp can be controlled electrically and can be integrated into automated manufacturing.

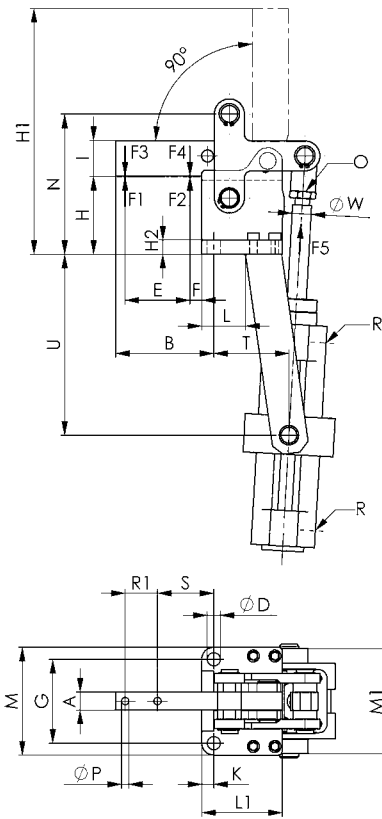
Note:

Suitable proximity switches for end-position monitoring are available using order no. 392241.

Design: PUR cable 0.3 m with M8 plug connection and rotating knurled nuts.

Switching function: NOC.

Output: PNP.



Recommendations



No. 6886,
page 111



No. 6815C,
page 87



No. 6821A,
page 81

Dimensions:

Order no.	Size	A	B	dia. D	E	F	G	H	H1	H2	I	K	L	L1
92296	4	15	82	11	54	10,0	70	65	205	12	30	10	36	67,0
92304	6	20	91	13	60	10,0	83	69	226	15	40	12	32	73,5
92312	8	30	125	17	95	9,5	115	94	318	20	60	15	49	109,0

Order no.	Size	M	M1	N	O	dia. P	R	R1	S	T	U	dia. W	Piston dia.	Piston stroke
92296	4	90	87,5	117	M12x1,25	6,2	G1/4	27	47	63	151	16	40	80
92304	6	107	100,0	137	M16x1,50	8,2	G1/4	26	54	64	186	20	50	100
92312	8	145	115,0	184	M16x1,50	13,2	G3/8	40	67	101	192	20	63	125

Piston dia. = Cylinder dia. required for piston force F5 at 6 bar air pressure.

No. 6815C

Toggle clamp element

matching with heavy pneumatic toggle clamp, with horizontal cylinder attachment no. 6825C/CE. Tempering steel, burnished. The axle bolts are tempered, ground and locked with circlips.



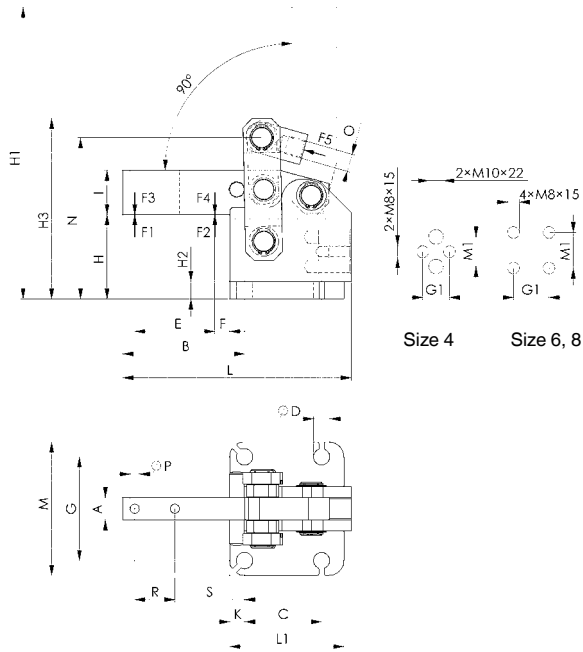
CAD

Order no.	Size	F1 [kN]	F2 [kN]	F3 [kN]	F4 [kN]	F5 [kN]	Weight [g]
92148	0	0,6	1,0	0,2	0,4	0,10	110
92155	1	0,8	1,2	0,6	0,8	0,19	230
92171	4	6,0	9,0	1,5	2,2	0,75	2535
92189	6	12,0	18,0	2,5	3,5	1,00	4215
92197	8	20,0	30,0	4,0	6,0	1,80	10670

The clamping forces F3 and F4 are achieved if a cylinder with the piston force F5 is connected.

Note:

Standard hydraulic and pneumatic cylinder can be connected to this clamp. In order to do so, the joint piece can be exchanged.



Size 4 Size 6, 8

Recommendations



No. 6816CE,
page 88



No. 6825C,
page 82



No. 6820A,
page 80

Dimensions:

Order no.	Size	A	B	C	dia. D	E	F	G	G1	H	H1	H2	H3	I	K	L	L1	M	M1	N	O	dia. P	R	S	Piston dia.	Piston stroke
92148	0	5	33,5	11	4,5	14	8,5	27	-	25,5	75,5	6	53,5	10	5,5	50	22,0	35	-	47,5	M6	-	-	-	16	40
92155	1	6	41,0	14	7,0	17	9,0	35	-	37,0	96,0	8	68,0	12	8,0	61	28,0	50	-	61,5	M8	-	-	-	20	40
92171	4	15	82,0	52	11,0	54	10,0	70	18	57,0	197,0	12	122,0	30	10,0	154	77,0	90	20	109,0	M12x1,25	6,2	27	47,0	40	80
92189	6	20	90,0	55	11,0	60	10,0	83	24	61,0	215,0	12	147,0	40	11,0	169	85,0	105	24	129,0	M16x1,50	8,2	26	53,0	50	100
92197	8	30	127,5	80	13,0	95	9,5	111	34	86,0	306,0	12	196,0	60	12,5	235	112,5	136	40	176,0	M16x1,50	13,0	40	69,5	63	120

No. 6816CE

Toggle clamp element

matching with heavy pneumatic toggle clamp, with vertical cylinder attachment no. 6826CE. Tempering steel, burnished. The axle bolts are tempered, ground and locked with circlips.

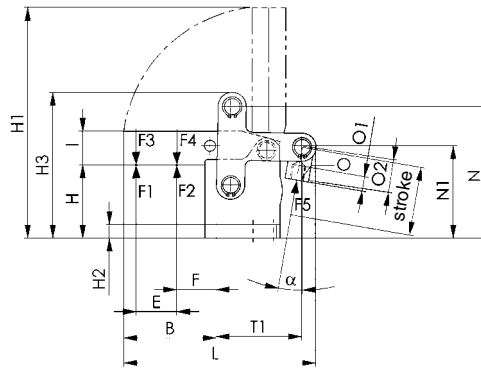
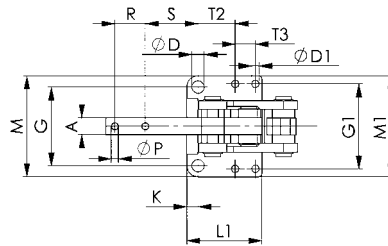


Order no.	Size	F1 [kN]	F2 [kN]	F3 [kN]	F4 [kN]	F5 [kN]	Weight [g]
92320	4	6	9	1,5	2,2	0,75	2400
92338	6	12	18	2,5	3,5	1,00	4300
92346	8	20	30	4,0	6,0	1,80	11000

The clamping forces F3 and F4 are achieved if a cylinder with the piston force F5 is connected. Position of cylinder see article no. 6826CE.

Note:

Standard hydraulic and pneumatic cylinders can be connected to this clamp. In order to do so, the joint piece can be exchanged.



Recommendations



No. 6815C,
page 87



No. 6811P,
page 15



No. 6825CE,
page 83

Dimensions:

Order no.	Size	A	B	dia. D	dia. D1	E	F	G	G1	H	H1	H2	H3	I	K	L	L1
92320	4	15	82	11	6,5	54	20,0	70	75,5	65	206	12	130	30	10	172	67,0
92338	6	20	91	13	6,5	60	22,0	83	87,5	69	226	15	155	40	12	200	73,5
92346	8	30	125	13	6,5	95	24,5	115	102,5	94	318	20	204	60	15	265	109,0

Order no.	Size	M	M1	N	N1	O	O1	O2	dia. P	R	S	T1	T2	T3	Stroke	α
92320	4	90	90	117	82	M12x1,25	14	29,5	6,2	27	47	76	33,0	18	74	9,0°
92338	6	107	100	137	92	M16x1,50	18	37,0	8,2	26	54	88	29,5	24	87	7,5°
92346	8	145	123	184	124	M16x1,50	17	32,0	13,2	40	67	120	44,0	40	120	6,5°

Subject to technical alterations.

No. 6829V

Link Clamp, pneumatic, flange-mounting version

double-acting

Parts of mechanism are made of steel and blued. Piston rod non-rusting, polished. Body is made of aluminium, anodised. HART-COAT® surface for wear-resistance. **Complete with clamping screw.**



Order no.	Size	F3 [kN]	Clamping screw	Weight [g]
93609	25	0,23	M 6x25	580
93617	32	0,37	M 8x35	950
93625	40	0,56	M 8x35	1200
93633	50	0,76	M12x50	1900
93641	63	1,35	M12x50	2300

Fastening options:

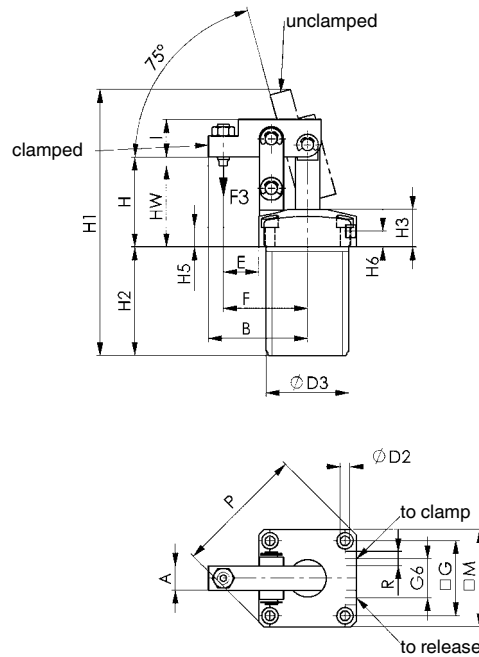
- From above, with socket cap screws through the flange
- By screwing the body into a tapped hole and locking with a grooved nut.
- By inserting the body into a plain hole and locking with two grooved nuts.

Accessories (not included in pack):

- Grooved nut no. 6829N
- Threaded flange no. 6829GF
- Clamping screw no. 6880

Note:

The lever mechanism can be dismantled so that it can be individually modified. The mounting holes in the flange are similar to those in threaded flange No. 6829GF. Operate only with lubricated air.



Recommendations



No. 6828M, page 90



No. 6829BR/BL, page 100

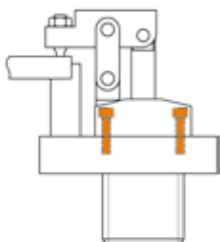


No. 6829ER/EL, page 102

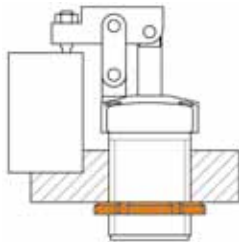
Dimensions:

Order no.	Size	A	B	dia. D2	dia. D3	E	F	G	G6	H	H1	H2	H3	H5	H6	HW	I	M	P	R	Piston dia.
93609	25	16	48,0	5,5	M40x1,5	16,0	41,0	37	23	51,0	144	62	25	15	12,0	37-47	17	50	66	M5	25
93617	32	16	60,0	6,5	M50x1,5	22,0	52,0	45	23	57,0	170	73	25	13	10,5	50-56	20	60	80	G1/8	32
93625	40	20	66,0	6,8	M55x1,5	23,5	56,0	50	26	60,0	178	73	25	13	10,5	50-54,5	25	65	87	G1/8	40
93633	50	22	77,5	8,5	M65x1,5	26,0	63,5	58	32	65,0	200	79	25	11	10,5	47-57	30	75	100	G1/8	50
93641	63	22	88,0	8,5	M80x1,5	29,5	74,0	70	35	71,5	211	80	25	11	9,0	54-64	30	89	118	G1/8	63

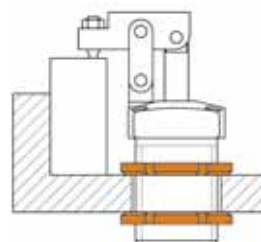
Examples of mountings



from above with 4 socket cap screws through the flange.



By screwing the body into a tapped hole and locking with a grooved nut.



By inserting the body into a plain hole and locking with two grooved nuts.

No. 6828M

Pneumatic toggle clamp

double-acting.

Max. operating pressure 6 bar.

Mini design in block version for clamping and grasping uses.

High-strength aluminium, red anodised. **Magnetic piston for end-position monitoring.** Clamping arm made of steel, burnished, with three holes.



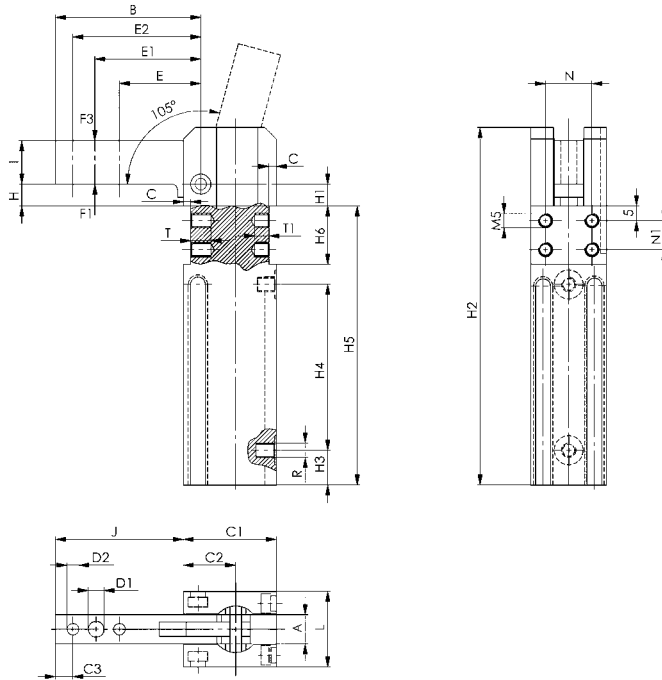
CAD

Order no.	Size	Clamping moment at 5 bar	Holding moment max.	Weight
		[Nm]	[Nm]	[g]
91843	16	8	25	300
91868	20	15	54	550
91884	25	25	75	850

Note:

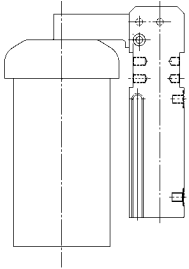
Suitable proximity switches for end-position monitoring are available using order no. 392241. 0.3 m PUR cable with M8 connector and rotatable knurled nuts.

Switching function: NOC. Output: PNP.



Application example:

Mini clamp, e.g. as „cover close device“. Defined, locked close position through toggle lever mechanism.



Recommendations



No. 6829V,
page 89



No. 6828V,
page 96

Dimensions:

Order no.	Size	A	B	C	C1	C2	C3	D1	D2 H7	E	E1	E2	H	H1	H2
91843	16	10	50	2,5	32	18	6	5,5	4	28	36,0	44	7,5	7,5	123
91868	20	12	60	3,0	39	22	8	6,5	5	32	42,0	52	15,0	14,0	158
91884	25	16	75	4,0	45	25	10	8,5	6	40	52,5	65	19,0	17,0	182

Order no.	Size	H3	H4	H5	H6 +0.1	I	J	L	N ±0.1	N1 ±0.1	R	T	T1	Piston dia.
91843	16	12,0	57	96	20	15	44	26	16	10	M5	7	5	16
91868	20	15,0	69	120	25	18	53	30	20	15	G1/8	8	6	20
91884	25	17,5	80	136	28	22	68	35	25	18	G1/8	8	6	25

Subject to technical alterations.

No. 6828H

Pneumatic clamp with lever

double-acting and with additional lever for manual opening and/or closing.

Max. operating pressure 6 bar.

Mini design in block version for clamping and gripping

technology. High-strength aluminium, red anodised. **Magnetic piston for end-position monitoring.** Clamp arm made from steel, bronzed, with three bores.

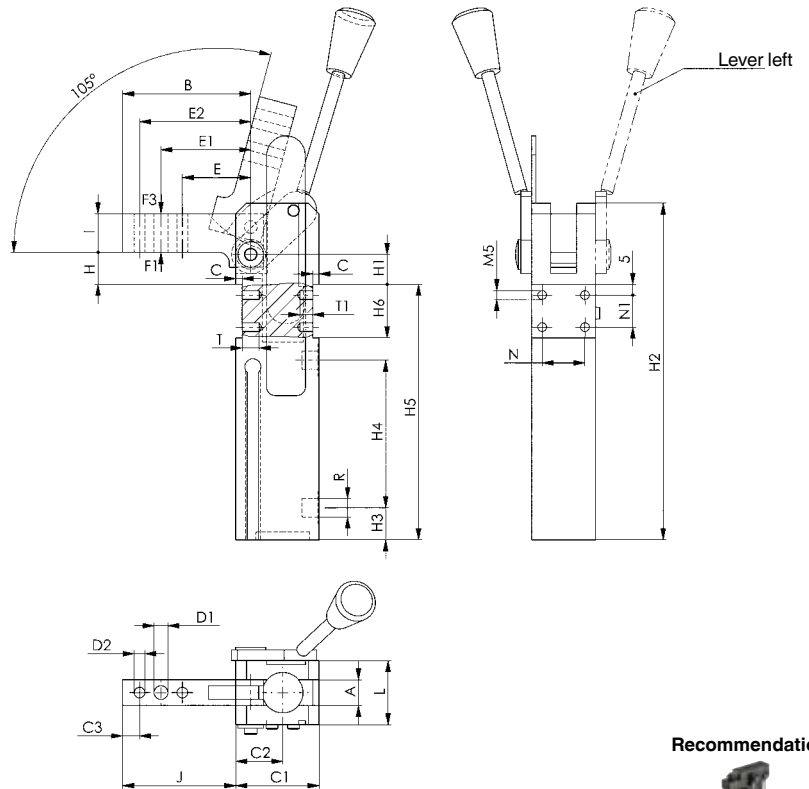
NEW!



Order no.	Size	Clamping moment at 5 bar [Nm]	Lever left	Lever right	Holding moment max. [Nm]	Weight [g]
555083	16	8	-	●	25	320
555170	16	8	●	-	25	320
555084	20	25	-	●	54	700
555171	20	8	●	-	54	700
555085	25	15	-	●	75	920
555172	25	25	●	-	75	920

Note:

Suitable proximity switches for end-position monitoring are available using order no. 392241. 0.3 m PUR cable with M8 connector and rotatable knurled nuts. Switching function: NOC. Output: PNP.



Recommendations



No. 6829V, page 89



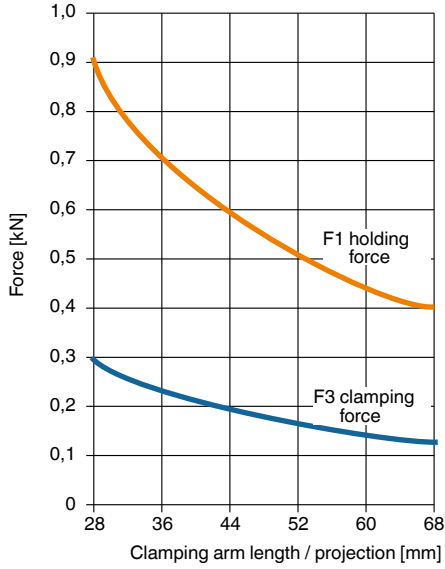
No. 6828V, page 96

Dimensions:

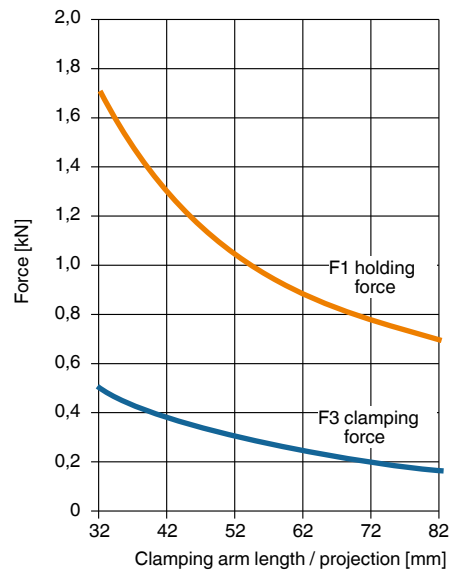
Order no.	Size	A	B	C	C1	C2	C3	D1	D2	H7	E	E1	E2	H	H1	H2	H3	H4	H5	H6 +0.1	I	J	L	N ±0.1	N1 ±0.1	R	T	T1	Piston dia.
555083	16	10	50	2,5	32	18	6	5,5	4	28	36,0	44	7,5	7,5	123	12,0	57	96	20	15	44	26	16	10	M5	7	5	16	
555170	16	10	50	2,5	32	18	6	5,5	4	28	36,0	44	7,5	7,5	123	12,0	57	96	20	15	44	26	16	10	M5	7	5	16	
555084	20	12	60	3,0	39	22	8	6,5	5	32	42,0	52	15,0	14,0	158	15,0	69	120	25	18	53	30	20	15	G1/8	8	6	20	
555171	20	12	60	3,0	39	22	8	6,5	5	32	42,0	52	15,0	14,0	158	15,0	69	120	25	18	53	30	20	15	G1/8	8	6	20	
555085	25	16	75	4,0	45	25	10	8,5	6	40	52,5	65	19,0	17,0	182	17,5	80	136	28	22	68	35	25	18	G1/8	8	6	25	
555172	25	16	75	4,0	45	25	10	8,5	6	40	52,5	65	19,0	17,0	182	17,5	80	136	28	22	68	35	25	18	G1/8	8	6	25	

Force diagrams No. 6828M and No. 6828H

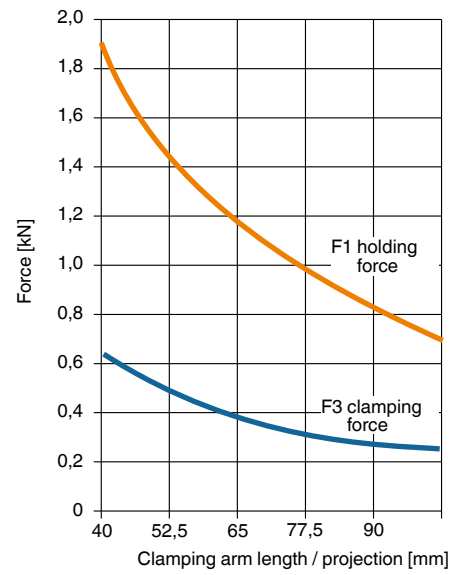
Size 16



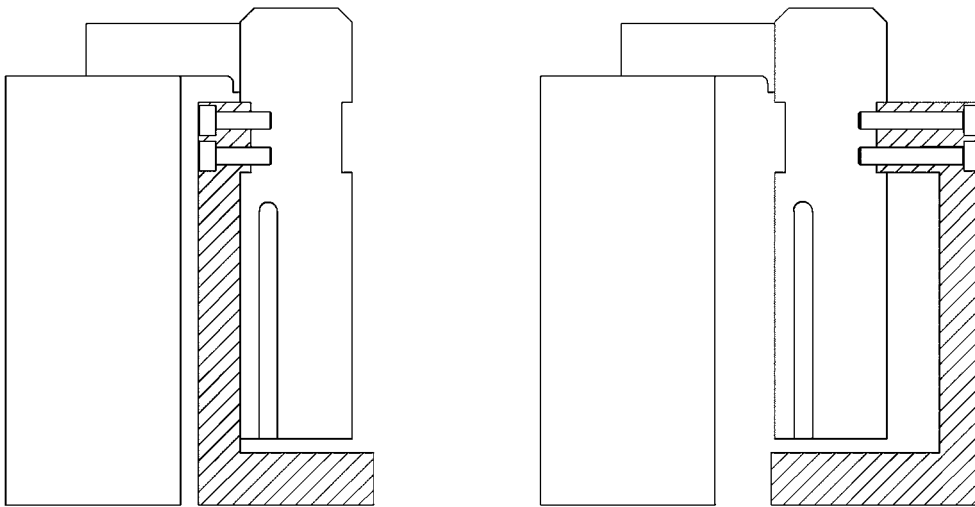
Size 20

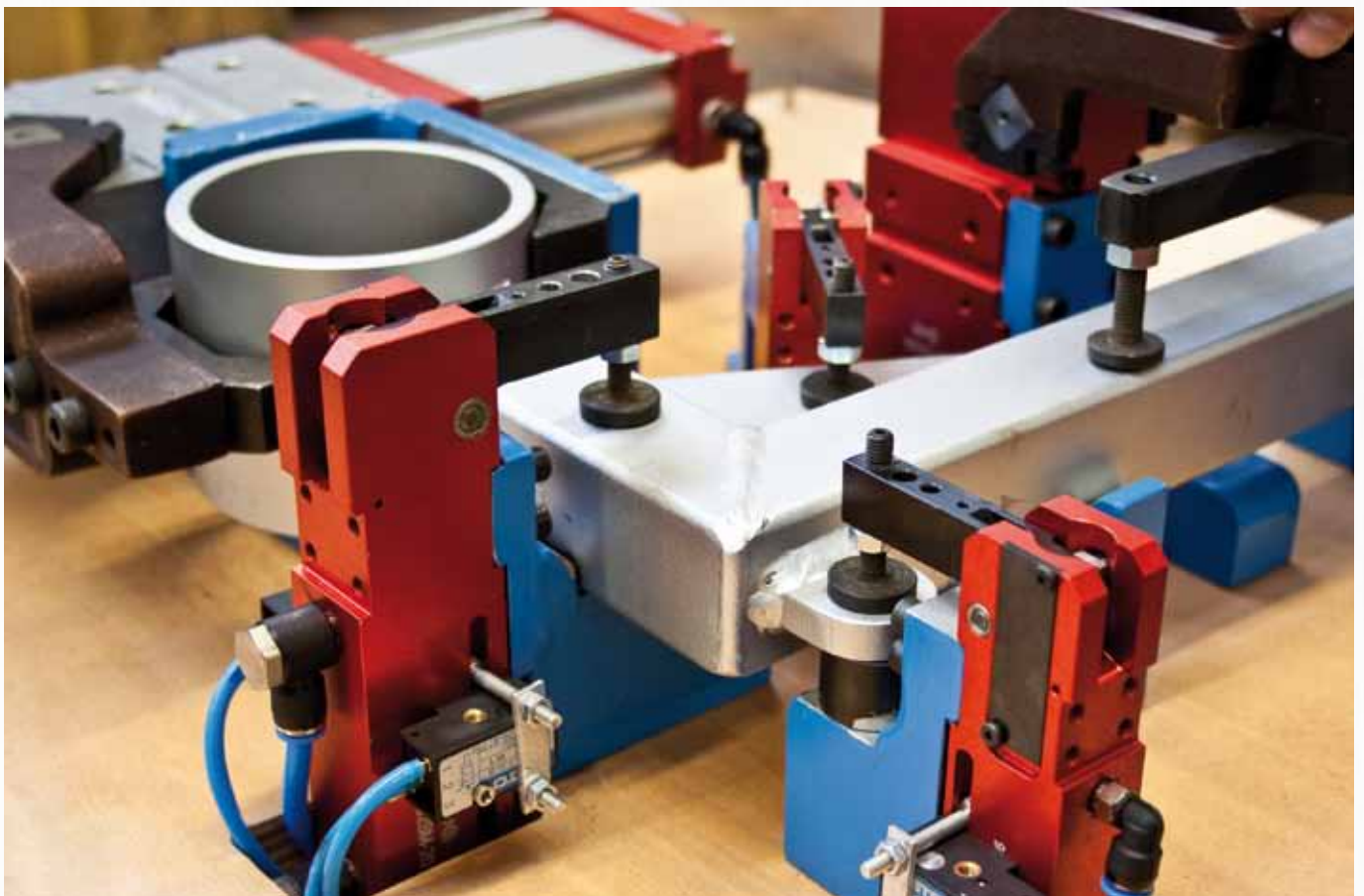
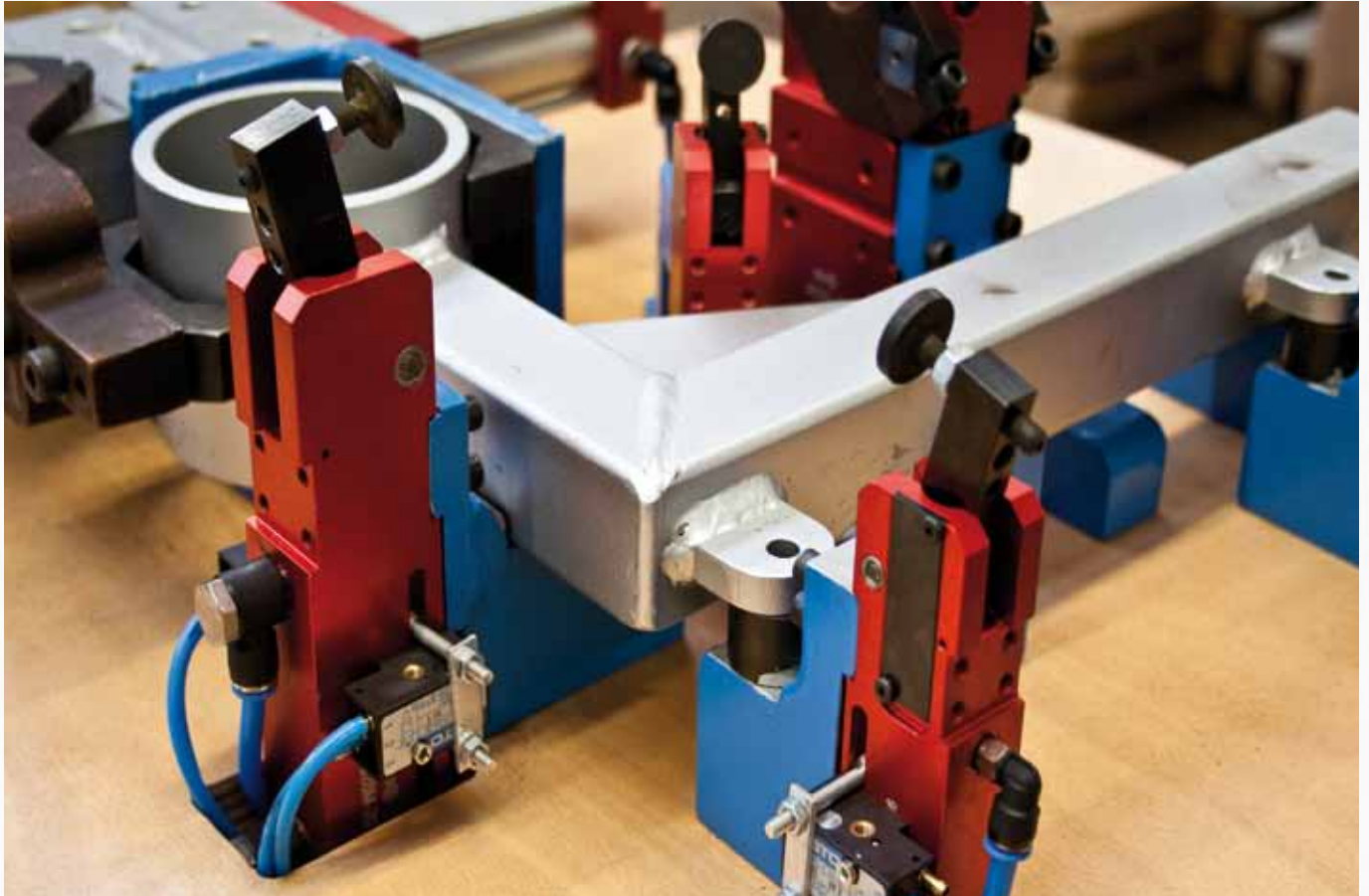


Size 25



Examples of mountings:





Subject to technical alterations.

No. 6828V

Heavy pneumatic toggle clamp

Double-acting.

Max. operating pressure 6 bar.

With continuously adjustable opening angle in the range 10° to 135°. Housing is made of aluminium. Pneumatic end position cushioning, **standard with inductive query 24V** (Pepperl+Fuchs). **Clamp arm not included.**

Accessories (not included in scope of delivery):

- Clamping arm no. 6828SP centre, right and left
- Without connecting plug M12

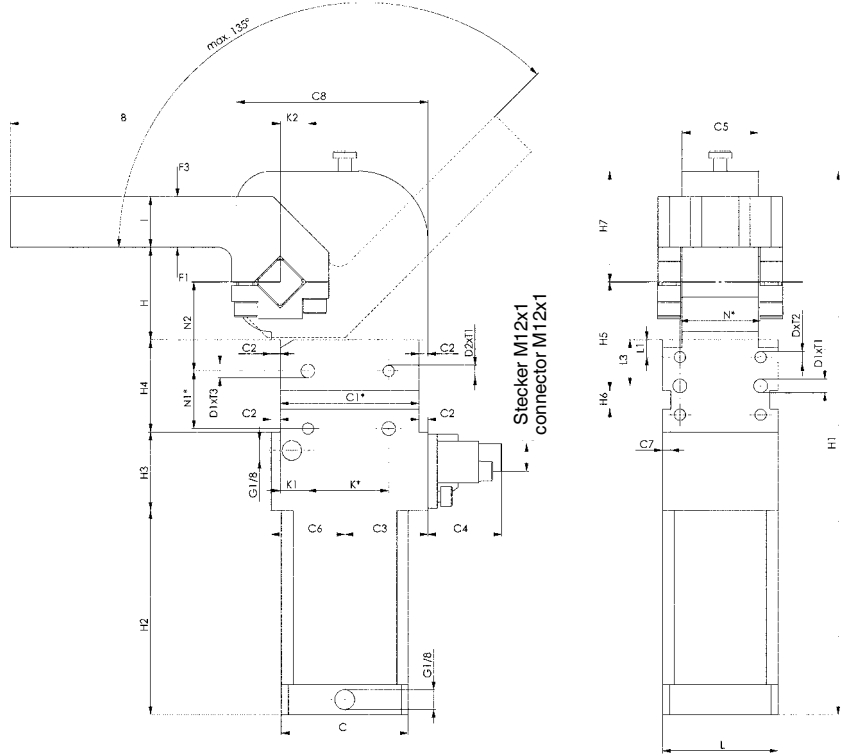


CAD

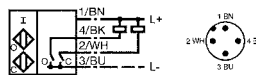
Order no.	Size	Clamping moment at 5 bar	Holding moment max.	Weight
		[Nm]	[Nm]	[Kg]
91835	40	120	380	1,4

Application:

These pneumatic toggle clamps are suitable for use in material handling lines and special machines. Opening and clamping position of the clamp can be controlled electrically, allowing intergration into automated manufacturing processes.



Connection sketch:



Recommendations



No. 6828SP,
page 95



No. 6829V,
page 89



No. 6828V,
page 96

Dimensions:

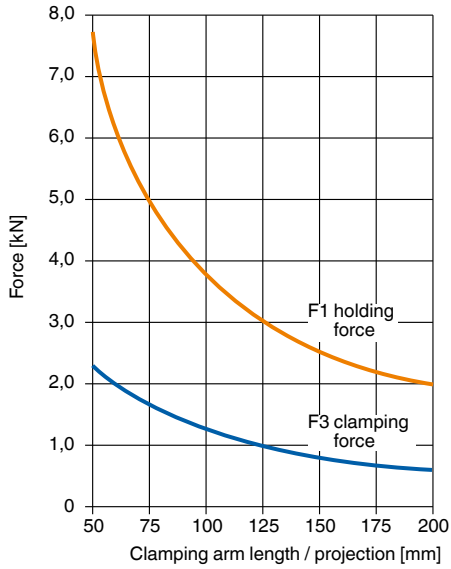
Order no.	Size	B	C	C1 *	C2	C3	C4	C5-0.5	C6	C7	C8	D	D1 H7	D2	H ±0.5	H1	H2	H3	H4 +0.1	H5 ±0.05
91835	40	117	58	60	4	36	33	33	32	3,5	83	M6	∅ 6	M6	40	235	88,5	34	40	47

Order no.	Size	H6 N9	H7	H8	I ±0,1	K*	K1 ±0.05	K2 ±0.05	L	L1 ±0,1	L2*	L3 ±0.05	N*	N1*	N2 ±0.05	S h9	T1	T2	T3	Piston dia.
91835	40	8	50	35	22	35	12	12	50	7,5	25	20	35	25	38,5	16	8	12	6	40

* Tolerance for peg holes ±0.02 mm; for threaded holes ±0.1 mm.

Subject to technical alterations.

Force diagram No. 6828V-40



No. 6828SP

Clamp arm

made of steel, for heavy pneumatic toggle clamp no. 6828V, size 40.

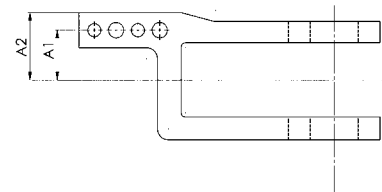
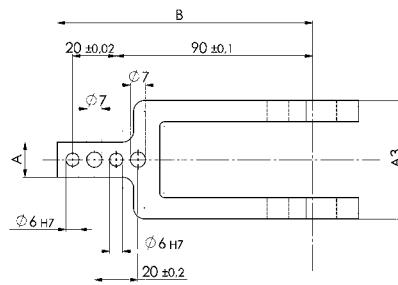
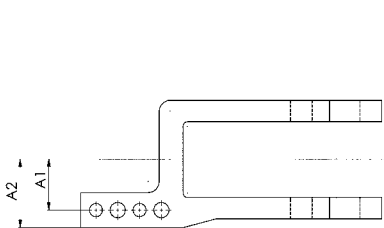


Clamp arm variants:

SPL (Clamp arm left)

SPM (Clamp arm in the middle)

SPR (Clamp arm right)



Order no.	Size	Article no.	A -0.1	A1 ±0.1	A2	A3	B	Weight [g]
92080	40	6828SPL-40	16	23	31	54	117	520
91900	40	6828SPM-40	16	23	31	54	117	520
92007	40	6828SPR-40	16	23	31	54	117	520

Recommendations



No. 6828V, page 94



Subject to technical alterations.

No. 6828V

Heavy pneumatic toggle clamp

double-acting.

Max. operating pressure 6 bar.

With continuously adjustable opening angle in the range 5° to 135°. Housing is made of aluminium, red anodised. Pneumatic end position cushioning, **standard with inductive query 24V** (Pepperl+Fuchs). **Clamp arm not included.**

Accessories (not included in pack):

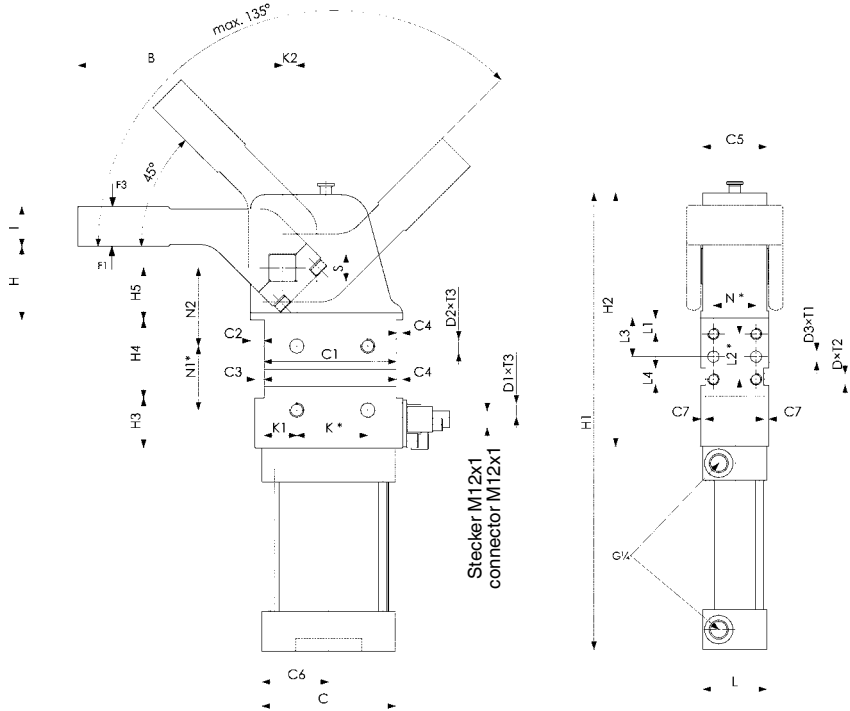
- Clamp arm no. 6828SP in the middle, right and left
- without M12 connector plug



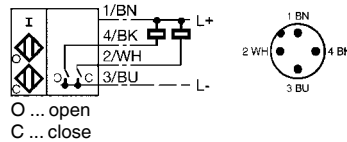
Order no.	Size	Clamping moment at 5 bar	Holding moment max.	Weight [Kg]
		[Nm]	[Nm]	
91850	50	160	800	3,5
91876	63	380	1500	4,6
91892	80	800	2500	15,6

Application:

These pneumatic toggle clamps are suitable for use in material handling lines and special machines. Opening and clamping position of the clamp can be controlled electrically, allowing intergration into automated manufacturing processes.



Connection sketch:



Recommendations



No. 6828SP,
page 97



No. 6828M,
page 90

Dimensions:

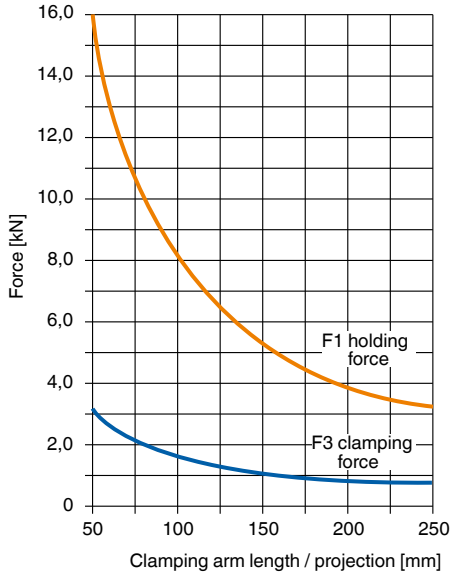
Order no.	Size	B	C	C1 *	C2	C3	C4	C5	C6	C7	D	D1 H7	D2	D3	H ±0.5	H1	H2	H3	H4 +0.1	H5 ±0.05	I
91850	50	144	92	93	9,5	6,5	4,5	45	47	3,5	M8	10	M10	8	51,5	321	178	35	55	36,5	28
91876	63	144	107	93	12,5	7,5	7,5	52	54	3,5	M8	10	M10	8	51,5	361	211	61	55	36,5	28
91892	80	179	140	134	20,0	8,0	8,0	74	76	3,5	M10	12	M12	8	70,0	486	270	55	80	50	35

Order no.	Size	K*	K1 ±0.1	K2 ±0.05	L	L1 ±0,1	L2*	L3 ±0.05	L4 N9	N*	N1*	N2 ±0.05	S	T1	T2	T3	Piston dia.
91850	50	50	23	10	48	11	32	27	12	30	45	55	19	10	11	12	50
91876	63	50	23	10	54	11	32	27	12	30	45	55	22	10	11	13	63
91892	80	70	36	15	76	15	50	40	12	50	75	65	30	12	15	13	80

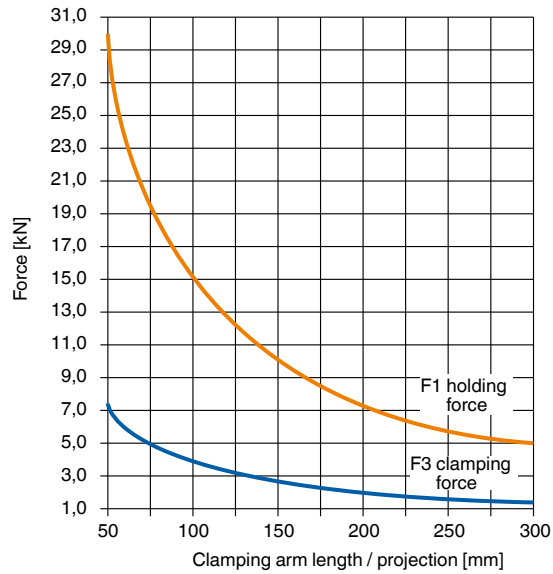
* Tolerance for peg holes ±0.02 mm; for threaded holes ±0.1 mm.

Subject to technical alterations.

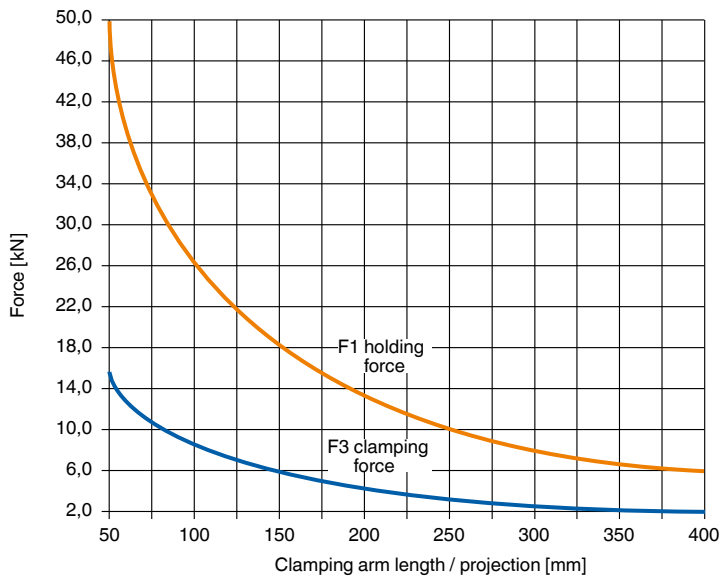
Force diagrams No. 6828V-50



No. 6828V-63



No. 6828V-80



No. 6828SP

Clamp arm

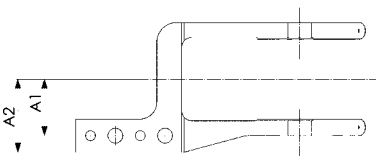
made of steel, for heavy pneumatic toggle clamp no. 6828V, size 50, 63, 80.



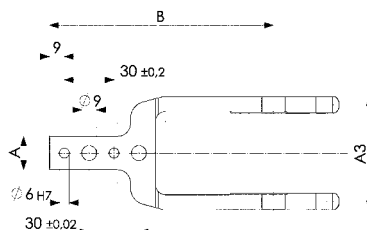
Order no.	Size	Article no.	A -0.1	A1 ±0.1	A2	A3	B	Weight [g]
92072	50	6828SPL-50	20	34,0	44	68	144	855
91959	50	6828SPM-50	20	34,0	44	68	144	855
92056	50	6828SPR-50	20	34,0	44	68	144	855
92130	63	6828SPL-63	20	37,0	47	78	144	1150
92098	63	6828SPM-63	20	37,0	47	78	144	1150
92114	63	6828SPR-63	20	37,0	47	78	144	1150
92395	80	6828SPL-80	25	50,5	63	108	179	1450
92353	80	6828SPM-80	25	50,5	63	108	179	1450
92379	80	6828SPR-80	25	50,5	63	108	179	1450

Clamp arm variants:

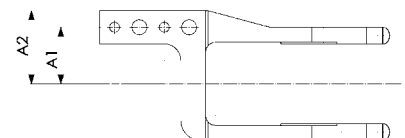
SPL (Clamp arm left)



SPM (Clamp arm in the middle)



SPR (Clamp arm right)



Subject to technical alterations.

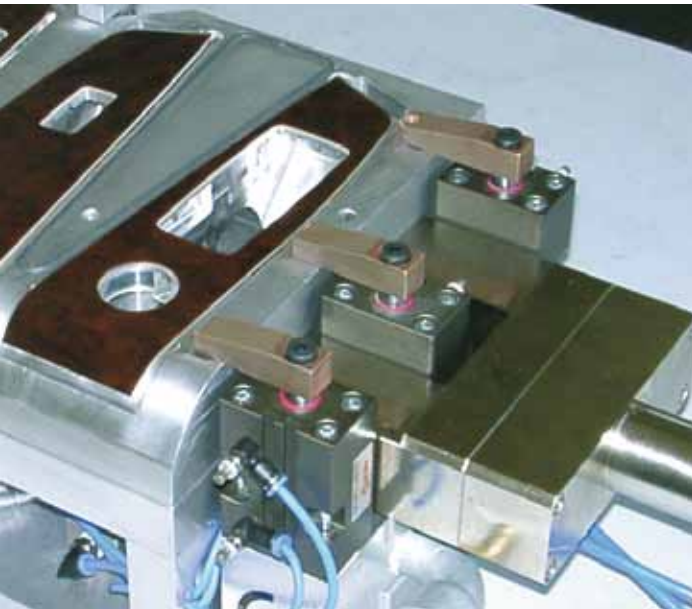
PNEUMATIC SWING CLAMPS

> APPLICATIONS

Pneumatic swing clamps are used where low clamping forces are needed (e.g. for welding), and where workpieces must be easily positioned from above.

> POINTS TO REMEMBER!

The swing action of toggle clamps must not be hindered. They can only clamp on their vertical stroke, not while swinging.



No. 6829KR/KL

Swing clamp, pneumatic, flange-mounting version

double-acting

For recessed installation in fixtures. Both compressed-air connections are in the flange. Piston rod non-rusting, polished. Body is made of aluminium, anodised. HART-COAT® surface for wear-resistance. Including screw and spring washer for simple setting of the clamp arm position.

Mounting:

- from above with cap screws through the flange
- from below in a bore in the fixture using grooved nuts and clamping against the flange
- from above with grooved nuts against the fixture

Accessories (not included in pack):

- Clamping arm 6829SP
- Grooved nut 6829N
- Clamping screw 6880



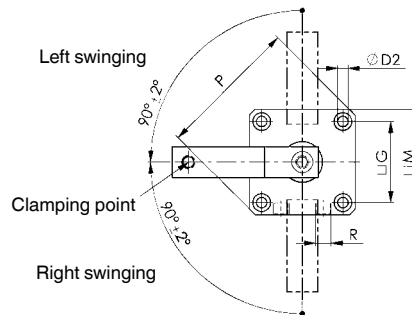
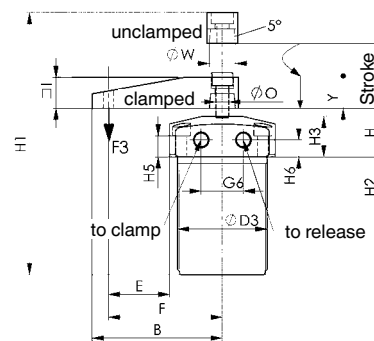
CAD

Order no.	Size	right swinging	left swinging	F3 [kN]	Connecting thread for clamping screws	Weight [g]
93484	25	●	-	0,17	M 6	500
93559	25	-	●	0,17	M 6	500
93492	32	●	-	0,27	M 8	650
93567	32	-	●	0,27	M 8	650
93500	40	●	-	0,45	M 8	800
93575	40	-	●	0,45	M 8	800
93518	50	●	-	0,70	M12	920
93583	50	-	●	0,70	M12	920
93526	63	●	-	1,10	M12	1080
93591	63	-	●	1,10	M12	1080

F3 = at 6 bar max. air pressure

Note:

The mounting holes in the flange are the same as in threaded flange no. 6828GF. Operate only with lubricated air.



Recommendations



No. 6829SP, page 103



No. 6829N, page 104

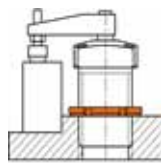


No. 6829GF, page 104

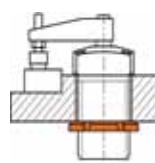
Examples of mountings:



with 4 cap screws from above



with grooved nut from above



with grooved nut from below

Dimensions:

Order no.	Size	dia. D2	dia. D3	E	F	G	G6	H	H1	H2	H3	H5	H6	I	M	dia. O	P	R	dia. W	Piston dia.	Y Clamping stroke*	Stroke
93484	25	6,5	M40x1,5	25,0	50	37	23	30	135	62	25	15	11,5	16,0	50	M 8	66	M 5	14	25	13	26
93559	25	6,5	M40x1,5	25,0	50	37	23	30	135	62	25	15	11,5	16,0	50	M 8	66	M 5	14	25	13	26
93492	32	6,5	M50x1,5	30,0	60	45	23	30	152	73	25	13	10,5	19,0	60	M 8	80	G1/8	16	32	14	28
93567	32	6,5	M50x1,5	30,0	60	45	23	30	152	73	25	13	10,5	19,0	60	M 8	80	G1/8	16	32	14	28
93500	40	6,5	M55x1,5	37,5	70	50	26	30	152	73	25	13	10,5	19,0	65	M 8	87	G1/8	16	40	16	30
93575	40	6,5	M55x1,5	37,5	70	50	26	30	152	73	25	13	10,5	19,0	65	M 8	87	G1/8	16	40	16	30
93518	50	8,5	M65x1,5	42,5	80	58	32	30	164	80	25	11	10,5	25,5	75	M10	100	G1/8	20	50	16	32
93583	50	8,5	M65x1,5	42,5	80	58	32	30	164	80	25	11	10,5	25,5	75	M10	100	G1/8	20	50	16	32
93526	63	8,5	M80x1,5	45,0	90	70	35	30	164	80	25	11	10,5	25,5	90	M10	118	G1/8	20	63	14	30
93591	63	8,5	M80x1,5	45,0	90	70	35	30	164	80	25	11	10,5	25,5	90	M10	118	G1/8	20	63	14	30

Subject to technical alterations.

No. 6829BR/BL

Swing clamp, pneumatic, block version

double-acting

Piston rod non-rusting, polished. Body is made of aluminium, anodised. HART-COAT® surface for wear-resistance. **Magnetic piston to signal end positions.** Including screw and spring washer for simple setting of the clamp arm position.

Mounting:

- on front or rear faces, using through holes
- from above with long socket bolts ISO 4762 (DIN 912)
- from below using tapped holes in base

Accessories (not included in pack):

- Clamping arm 6829SP
- Clamping screw 6880

Order no.	Size	right swinging	left swinging	F3 [kN]	Connecting thread for clamping screws	Weight [g]
91496	12	●	-	0,03	M 4	200
91397	12	-	●	0,03	M 4	200
91504	16	●	-	0,06	M 4	300
91405	16	-	●	0,06	M 4	300
91512	20	●	-	0,08	M 6	400
91413	20	-	●	0,08	M 6	400
91520	25	●	-	0,17	M 6	600
91421	25	-	●	0,17	M 6	600
91538	32	●	-	0,27	M 8	800
91439	32	-	●	0,27	M 8	800
91546	40	●	-	0,45	M 8	920
91447	40	-	●	0,45	M 8	920
91553	50	●	-	0,70	M12	1000
91454	50	-	●	0,70	M12	1000
91561	63	●	-	1,10	M12	1150
91462	63	-	●	1,10	M12	1150

F3 = at 6 bar max. air pressure

Note:

Suitable proximity switches for end-position monitoring are available using order no. 392241.
Design: PUR cable 0.3 m with M8 plug connection and rotating knurled nuts.
Switching function: NOC. Output: PNP.
Operate only with lubricated air.



Recommendations



No. 6880,
page 109

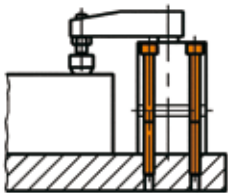


No. 6829SP,
page 103

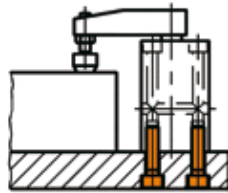


No. 6829ER/EL,
page 102

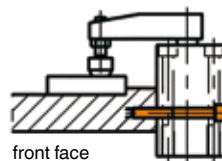
Examples of mountings:



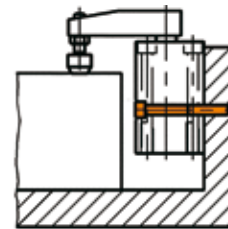
from above



from below



front face

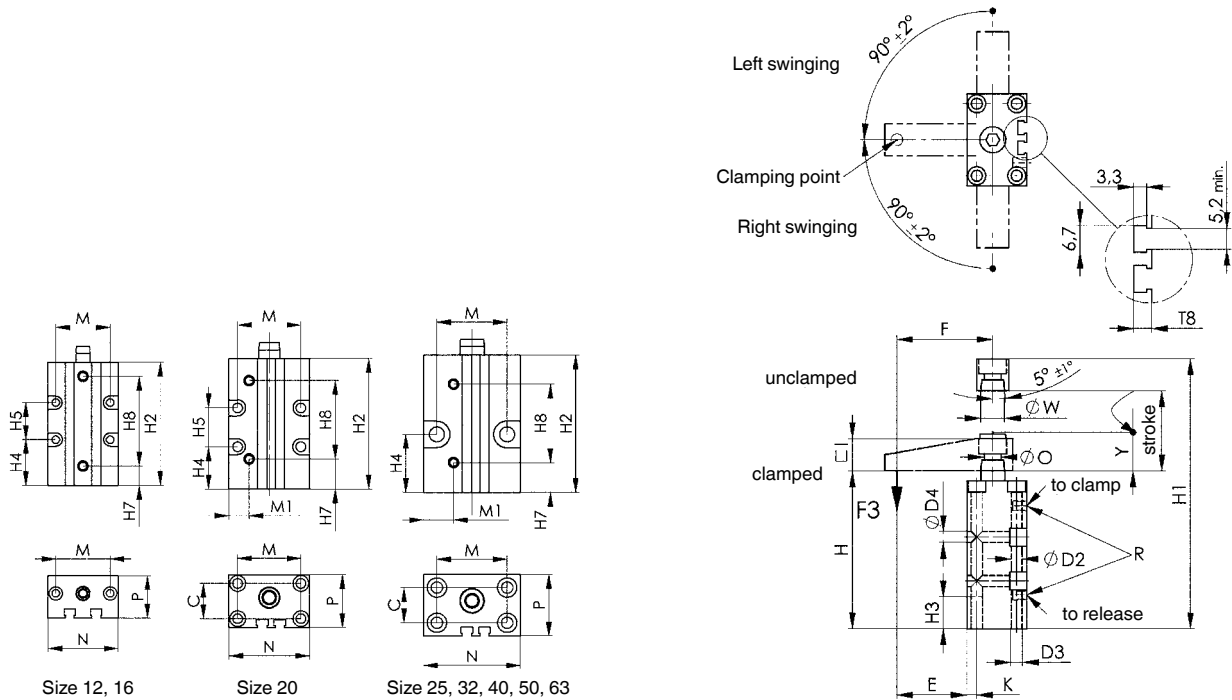


rear face

CAD



Subject to technical alterations.



Dimensions:

Order no.	Size	C	dia. D2	D3	dia. D4	E	F	H	H1	H2	H3	H4	H5	H7	H8
91496	12	-	4,3	M 5	4,3	25,0	35	76	105	70	15	26	21	11	51,0
91397	12	-	4,3	M 5	4,3	25,0	35	76	105	70	15	26	21	11	51,0
91504	16	-	4,3	M 5	4,3	30,0	41	76	105	70	15	26	21	11	51,0
91405	16	-	4,3	M 5	4,3	30,0	41	76	105	70	15	26	21	11	51,0
91512	20	20	5,5	M 6	5,5	35,0	48	80	125	74	20	24	22	17	44,5
91413	20	20	5,5	M 6	5,5	35,0	48	80	125	74	20	24	22	17	44,5
91520	25	20	6,5	M 8	8,5	35,0	50	83	125	78	20	32	-	17	44,5
91421	25	20	6,5	M 8	8,5	35,0	50	83	125	78	20	32	-	17	44,5
91538	32	30	6,5	M 8	8,5	40,0	60	96	145	90	20	43	-	22	50,0
91439	32	30	6,5	M 8	8,5	40,0	60	96	145	90	20	43	-	22	50,0
91546	40	37	8,5	M 10	8,5	45,5	70	96	145	90	25	40	-	20	52,0
91447	40	37	8,5	M 10	8,5	45,5	70	96	145	90	25	40	-	20	52,0
91553	50	46	8,5	M 10	10,5	49,0	80	106	162	100	30	45	-	25	53,5
91454	50	46	8,5	M 10	10,5	49,0	80	106	162	100	30	45	-	25	53,5
91561	63	60	10,5	M 12	10,5	52,5	90	106	162	100	30	36	-	28	53,0
91462	63	60	10,5	M 12	10,5	52,5	90	106	162	100	30	36	-	28	53,0

Order no.	Size	I	K	M	M1	N	dia. O	P	R	T8	dia. W	Piston dia.	Y Clamping stroke*	Stroke
91496	12	12	10,0	31	20,0	40	M 5	24	M 5	5,0	8	12	8,5	17,5
91397	12	12	10,0	31	20,0	40	M 5	24	M 5	5,0	8	12	8,5	17,5
91504	16	12	13,0	31	21,0	42	M 5	28	M 5	4,5	8	16	8,5	17,5
91405	16	12	13,0	31	21,0	42	M 5	28	M 5	4,5	8	16	8,5	17,5
91512	20	16	5,0	36	11,5	46	M 8	30	M 5	4,5	12	20	14,0	27,0
91413	20	16	5,0	36	11,5	46	M 8	30	M 5	4,5	12	20	14,0	27,0
91520	25	16	7,5	40	17,0	55	M 8	35	M 5	5,0	14	25	14,0	27,0
91421	25	16	7,5	40	17,0	55	M 8	35	M 5	5,0	14	25	14,0	27,0
91538	32	19	7,5	45	18,0	60	M 8	45	G1/8	6,5	16	32	15,5	30,0
91439	32	19	7,5	45	18,0	60	M 8	45	G1/8	6,5	16	32	15,5	30,0
91546	40	19	9,0	52	22,0	70	M 8	55	G1/8	8,0	16	40	15,5	30,0
91447	40	19	9,0	52	22,0	70	M 8	55	G1/8	8,0	16	40	15,5	30,0
91553	50	25	9,5	66	25,0	85	M 10	65	G1/8	6,5	20	50	15,0	31,0
91454	50	25	9,5	66	25,0	85	M 10	65	G1/8	6,5	20	50	15,0	31,0
91561	63	25	10,0	80	30,0	100	M 10	80	G1/8	8,5	20	63	15,0	31,0
91462	63	25	10,0	80	30,0	100	M 10	80	G1/8	8,5	20	63	15,0	31,0

* Swing clamps may only be loaded during the clamping stroke Y.

No. 6829ER/EL

Swing clamp, pneumatic, screw-in version

double-acting

Piston rod non-rusting, polished. Body is made of aluminium, anodised. HART-COAT® surface for wear-resistance. Including screw and spring washer for simple setting of the clamp arm position.

Mounting:

- with grooved nut 6829N (DIN 70852)
- with threaded flange 6829GF

Accessories (not included in pack):

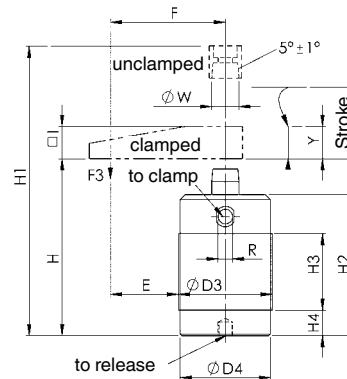
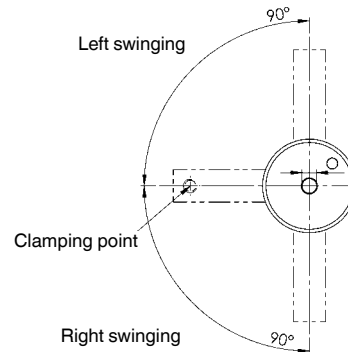
- Clamping arm 6829SP
- Grooved nut 6829N
- Thread flange 6829GF
- Clamping screw 6880

Order no.	Size	right swinging	left swinging	F3 [kN]	Connecting thread for clamping screws	Weight [g]
92809	25	●	-	0,17	M 6	450
92858	25	-	●	0,17	M 6	450
92817	32	●	-	0,27	M 8	550
92866	32	-	●	0,27	M 8	550
92825	40	●	-	0,45	M 8	700
92874	40	-	●	0,45	M 8	700
92833	50	●	-	0,70	M12	850
92882	50	-	●	0,70	M12	850
92841	63	●	-	1,10	M12	1000
92890	63	-	●	1,10	M12	1000

F3 = at 6 bar max. air pressure

Note:

Operate only with lubricated air.



Recommendations



No. 6829SP,
page 103



No. 6829N,
page 104



No. 6829GF,
page 104



Dimensions:

Order no.	Size	D3	dia. D4	E	F	H	H1	H2	H3	H4	I	dia. M	O	R	dia. W	Piston dia.	Y Clamping stroke*	Stroke
92809	25	M40x1,5	38	30,0	50	73	118	70	35	10	16,0	M 6	M 8	M 5	14	25	13,0	26,0
92858	25	M40x1,5	38	30,0	50	73	118	70	35	10	16,0	M 6	M 8	M 5	14	25	13,0	26,0
92817	32	M50x1,5	48	35,0	60	83	132	79	40	15	19,0	M 8	M 8	G1/8	16	32	15,5	29,5
92866	32	M50x1,5	48	35,0	60	83	132	79	40	15	19,0	M 8	M 8	G1/8	16	32	15,5	29,5
92825	40	M55x1,5	53	42,5	70	87	136	83	45	15	19,0	M 8	M 8	G1/8	16	40	16,5	30,5
92874	40	M55x1,5	53	42,5	70	87	136	83	45	15	19,0	M 8	M 8	G1/8	16	40	16,5	30,5
92833	50	M65x1,5	62	47,5	80	92	148	87	50	15	25,5	M12	M10	G1/8	20	50	14,0	30,0
92882	50	M65x1,5	62	47,5	80	92	148	87	50	15	25,5	M12	M10	G1/8	20	50	14,0	30,0
92841	63	M80x1,5	77	50,0	90	98	153	92	56	15	25,5	M12	M10	G1/8	20	63	13,5	29,5
92890	63	M80x1,5	77	50,0	90	98	153	92	56	15	25,5	M12	M10	G1/8	20	63	13,5	29,5

Examples of mountings:



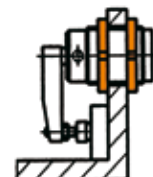
with grooved nut from below



with grooved nut from above



with threaded flange
and grooved nut



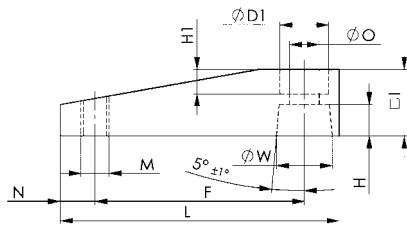
with two grooved nuts

Subject to technical alterations.

No. 6829SP

Clamping arm

High-strength aluminium alloy. HART-COAT® surface for wear-resistance and reduced adhesion of weld spatter. With thread for clamping screw No. 6880.



Order no.	Size	dia. D1	F	H	H1	I	L	M	N	dia. O	dia. W	Weight [g]
92486	12	9	35	5,0	5,0	12	45	M4	4	5,5	8	13
92494	16	9	41	5,0	4,0	12	51	M4	4	5,5	8	15
92502	20	14	48	5,5	7,5	16	64	M6	6	8,5	12	31
93674	25	14	50	6,5	6,0	16	66	M6	6	8,5	14	32
93682	32	14	60	9,0	7,0	19	80	M8	10	8,5	16	55
93690	40	14	70	9,0	7,0	19	90	M8	10	8,5	16	65
93708	50	17	80	10,0	9,0	25	105	M12	10	10,5	20	132
93716	63	17	90	10,0	9,0	25	115	M12	10	10,5	20	149

Note:

Fitting clamping arm:

- 1) Set up clamping arm with spring washer and screw without play.
- 2) Turn clamping arm into position.
- 3) Hold clamping arm fixed with wrench and tighten screw.

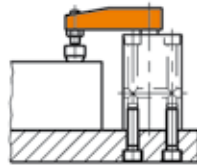
Clamping arm removal:

- 1) Hold clamping arm fixed with wrench and loosen screw.
 - 2) With light blows from below (plastic hammer), separate clamping arm from the piston rod.
- Caution! No side blows permitted!



Application example:

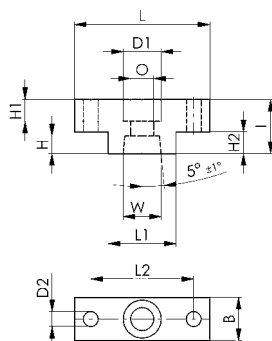
Clamping arm with clamping screw no. 6880.



No. 6829AD

Adapter

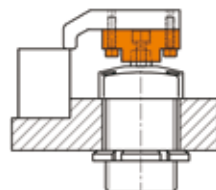
for mounting special clamping arms, with taper bore and mounting holes for arm. High-strength aluminium alloy. HART-COAT® surface for wear-resistance and reduced adhesion of weld spatter.



Order no.	Size	B	D1	D2	H	H1	H2	I	L	L1	L2	O	W	Weight [g]
92403	12/16	12	10	4,5	5,0	7,0	6	14	30	13	22	5,5	8	8
92411	20	16	14	5,5	5,5	10,5	8	20	40	18	30	8,5	12	20
92429	25	16	14	5,5	6,5	8,0	8	20	50	25	38	8,5	14	28
92437	32/40	19	14	7,0	9,0	11,0	10	25	60	30	45	8,5	16	50
92452	50/63	25	17	9,0	10,0	14,0	12	30	65	30	48	10,5	20	80

Application example:

Adapter in use as a connecting element between an individual clamping arm and the piston rod of a pneumatic swing clamp no. 6829.



No. 6829N

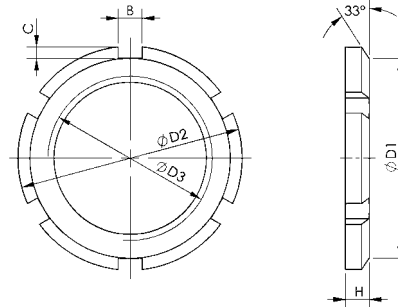
Grooved nut (DIN 70852)

Steel, galvanized.
Use hook spanner for tightening (see AMF catalogue „Hand Tools“).

Order no.	Size	B	C	dia. D1	dia. D2	dia. D3	H	Weight [g]
92924	25	7	3,3	49	56	M40x1,5	8	63
92932	32	8	3,8	60	68	M50x1,5	8	84
92940	40	8	3,8	67	75	M55x1,5	8	106
92957	50	11	4,3	76	85	M65x1,5	9	132
92973	63	11	4,3	91	100	M80x1,5	10	180

Application example:

Grooved nut from above for locking swing clamp in a fixture.



No. 6829GF

Threaded flange

Aluminium.
With four counterbored mounting holes. Female thread for swing clamp. Use grooved nut to lock in desired.

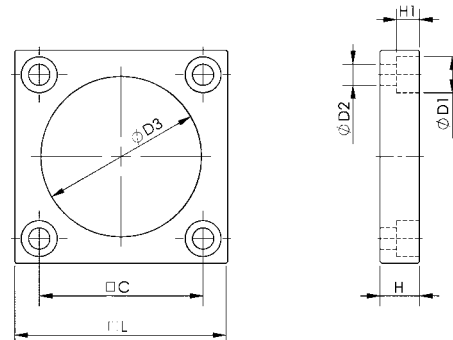
Order no.	Size	C	dia. D1	dia. D2	dia. D3	H	H1	L	Weight [g]
93062	25	37	9	5,5	M40x1,5	9	6	50	80
93070	32	45	11	6,5	M50x1,5	12	7	60	100
93088	40	50	11	6,5	M55x1,5	12	7	65	120
93096	50	58	13	8,5	M65x1,5	15	9	75	150
93104	63	70	13	8,5	M80x1,5	15	9	88	200

Advantage:

Avoids cutting a large thread in the fixture.

Note:

The mounting holes in the flange are the same as in pneumatic clamp flange no. 6829K and 6829V.



Subject to technical alterations.

No. 6829W

Swing Clamp with welding protection, pneumatic

double acting

Piston rod non-rusting, polished and protected against weld spatter. Body, welding protection and clamping arm made of aluminium. HART-COAT® surface for wear-resistance. **Magnetic piston for end-position monitoring.**
Clamp arm not included.

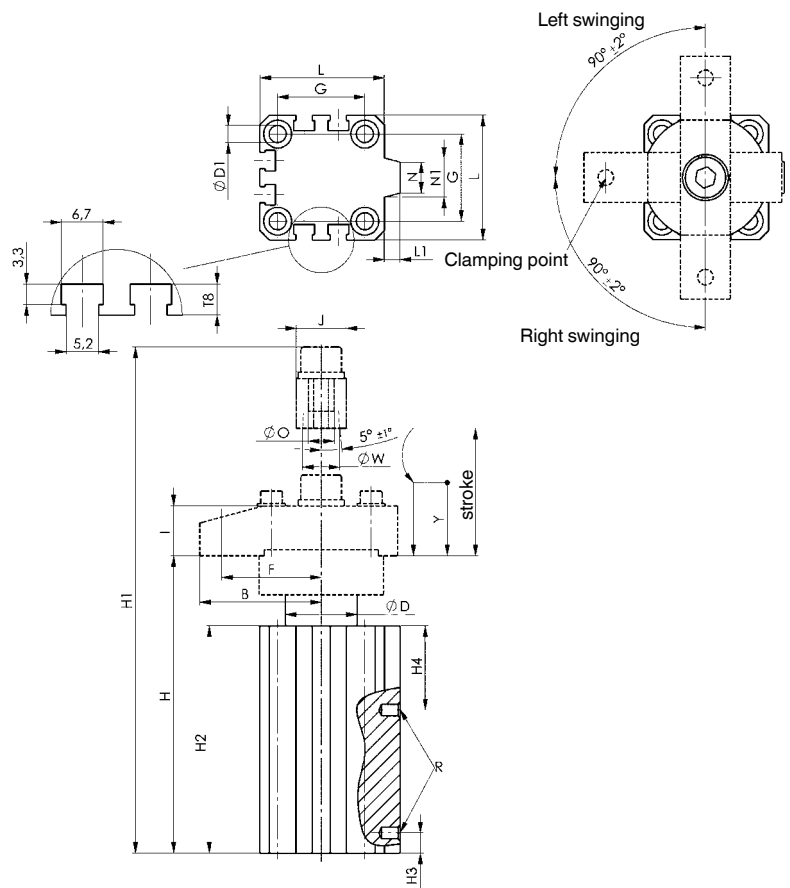
Accessories (not included in pack):

- Welding protection no. 6829WS
- Clamping arm no. 6829WSP

Order no.	Size	right swinging	left swinging	F3 [kN]	Weight [g]
91579	25	●	-	0,2	326
92361	25	-	●	0,2	326
91595	32	●	-	0,3	537
92387	32	-	●	0,3	537
91611	40	●	-	0,6	680
92445	40	-	●	0,6	680
91637	50	●	-	0,9	1160
92460	50	-	●	0,9	1160
91652	63	●	-	1,4	1520
92478	63	-	●	1,4	1520

Note:

Suitable proximity switches for end-position monitoring are available using order no. 392241. Design: PUR cable 0.3 m with M8 plug connection and rotating knurled nuts. Switching function: NOC. Output: PNP. Operate only with lubricated air.



Recommendations



No. 6829WS, page 106



No. 6829WSP, page 106

Dimensions:

Order no.	Size	dia. D	dia. D1	F	G	H	H1	H2	H3	H4	I	J	L	L1	N	N1	dia. O	R	dia. W	Piston dia.	Y Clamping stroke*	Stroke
91579	25	23	5,5	32,0	29	95,5	139,0	73,0	6,5	27,0	14	16	40	5,0	10,0	12,5	8,3	M5	12	25	10	19,5
92361	25	23	5,5	32,0	29	95,5	139,0	73,0	6,5	27,0	14	16	40	5,0	10,0	12,5	8,3	M5	12	25	10	19,5
91595	32	30	5,5	45,0	34	113,0	168,0	80,0	9,0	34,5	18	22	45	4,5	14,5	16,5	10,5	G1/8	16	32	10	25,0
92387	32	30	5,5	45,0	34	113,0	168,0	80,0	9,0	34,5	18	22	45	4,5	14,5	16,5	10,5	G1/8	16	32	10	25,0
91611	40	30	5,5	45,0	40	114,0	173,0	80,0	9,0	34,5	22	22	52	5,0	17,5	22,0	10,5	G1/8	16	40	10	25,0
92445	40	30	5,5	45,0	40	114,0	173,0	80,0	9,0	34,5	22	22	52	5,0	17,5	22,0	10,5	G1/8	16	40	10	25,0
91637	50	37	6,6	65,0	50	149,4	227,9	101,5	11,0	39,0	25	25	64	6,0	20,0	23,0	12,5	G1/4	20	50	20	39,0
92460	50	37	6,6	65,0	50	149,4	227,9	101,5	11,0	39,0	25	25	64	6,0	20,0	23,0	12,5	G1/4	20	50	20	39,0
91652	63	47	6,6	72,5	60	152,9	231,4	104,0	9,0	35,0	25	25	77	7,0	28,0	33,0	12,5	G1/4	20	63	20	39,0
92478	63	47	6,6	72,5	60	152,9	231,4	104,0	9,0	35,0	25	25	77	7,0	28,0	33,0	12,5	G1/4	20	63	20	39,0

* Swing clamps may only be loaded during the clamping stroke Y.

CAD



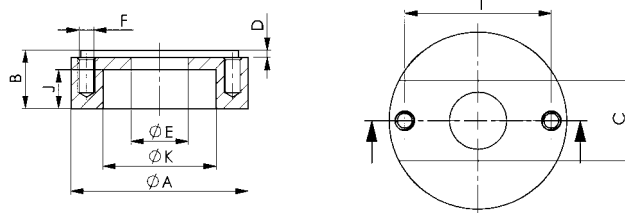
No. 6829WS

Welding protection

for piston rod
for swing clamp with welding protection no. 6829W for protection of the piston rod against weld spatter. High-strength aluminium alloy, anodised.



Order no.	Size	dia. A	B	C	D	dia. E	F	I	J	dia. K	Weight [g]
91645	25	40	14,5	16,4	2,0	12,1	M4	32,0	10,5	25	32
91660	32	50	16,5	22,6	3,0	16,1	M5	41,3	11,0	32	55
91686	40	50	17,9	22,6	3,8	16,1	M6	41,4	11,0	32	58
91702	50	59	33,0	25,8	5,1	20,1	M6	46,5	25,0	39	122
91793	63	69	33,0	25,8	5,1	20,1	M6	59,5	25,0	50	160



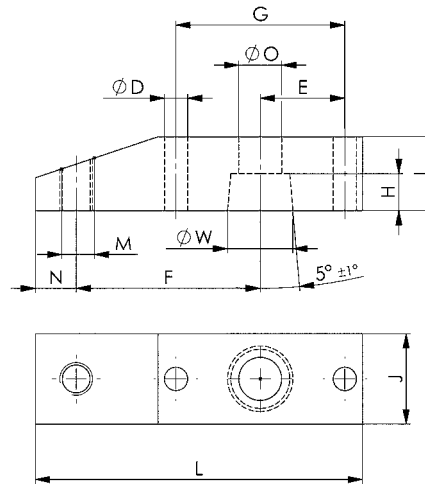
No. 6829WSP

Clamp arm

for swing clamp with welding protection no. 6829W.
High-strength aluminium alloy, black. HART-COAT® surface for wear-resistance and reduced adhesion of weld spatter. Ready for mounting, with connection thread for clamping screw no. 6880.



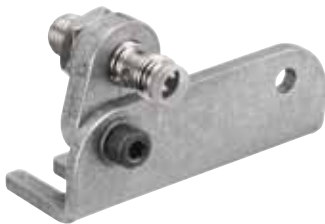
Order no.	Size	dia. D	E	F	G	H	I	J	L	M	N	dia. O	dia. W	Weight [g]
91678	25	4,8	16,00	32,0	32,0	5,5	14	16	63,5	M6	7	8,3	12	36
91694	32	5,7	20,70	45,0	41,3	9,0	18	22	80,0	M8	10	10,5	16	83
91751	40	6,4	20,70	45,0	41,4	9,0	22	22	82,0	M8	10	10,5	16	84
91603	50	6,4	23,25	65,0	46,5	12,0	25	25	105,0	M10	10	12,5	20	144
91629	63	6,4	29,75	72,5	59,5	12,0	25	25	120,0	M10	10	12,5	20	168



No. 6897S

Sensor monitor

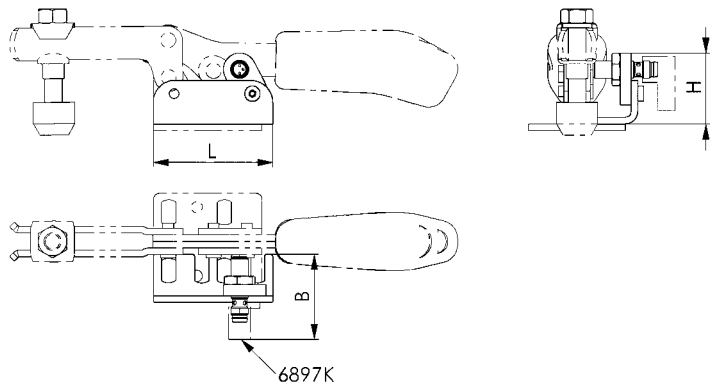
for manual clamps.
For monitoring the closed position of the toggle clamp. Complete with inductive sensor M8x1 for ambient temperatures from 0° to 60° C. Matching plug connection no. 6897K.



Order no.	Size	L x W x H	Weight [g]
90597	3	55 x 40 x 35	60

Note:

Sensor monitor size 3 can be used on both sides for horizontal toggle clamp no. 6830-3, 6834-3 and 6830B-3, only on one side for horizontal toggle clamp with safety latch no. 6830S-3.



Subject to technical alterations.

No. 6897K

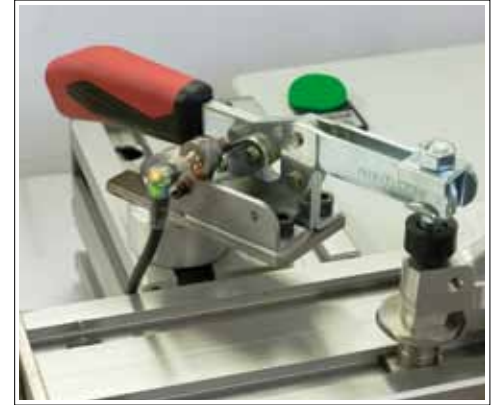
Plug connection for sensor monitor

for sensor monitor no. 6897S.
Angled plug connection, cable permanently injection-moulded on.

Order no.	Size	Cable length		Weight [g]
			[m]	
90613	1		2	75
90639	2		5	150

Note:

IP68 acc. to IEC 529, silicone-free, halogen-free, gold-plated contacts.



No. 6898V

Rotatable base unit

incl. stop pin for limiting the opening position of 90°

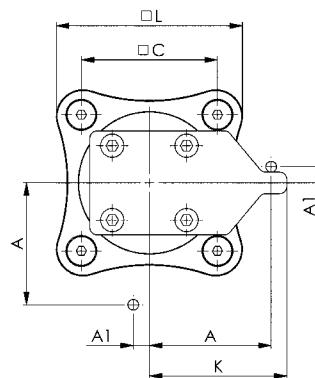
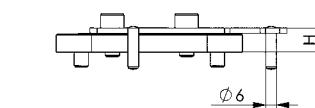
NEW!



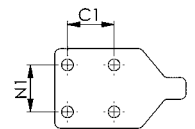
Order no.	Size	Weight [g]
555182	1	430
555183	2	915
555184	3	430
555185	4	922

Note:

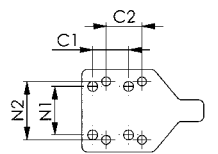
Order no. 555182 for toggle clamp 6830 Size 2 and 3
Order no. 555183 for toggle clamp 6830 Size 4 and 5
Order no. 555184 for toggle clamp 6800 Size 2 and 3
Order no. 555185 for toggle clamp 6800 Size 4 and 5



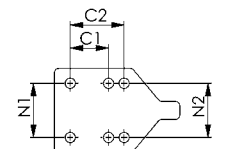
Size 1, 2



Size 3



Size 4



Dimensions:

Order no.	Size	A	A1	C	C1	C2	H	K	L	N1	N2
555182	1	41	9,0	54	26,0	-	11,4	47,0	76	26,0	-
555183	2	68	9,0	76	41,5	-	13,4	77,0	104	41,5	-
555184	3	41	9,0	54	20,0	20	11,4	45,0	76	27,0	32,5
555185	4	59	10,5	76	32,0	45	13,4	69,2	104	45,0	45,0

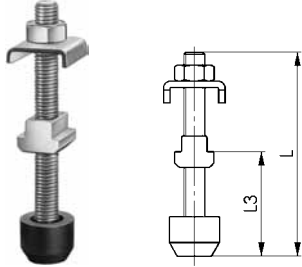
Subject to technical alterations.



No. 6890

Clamping screw

for open clamping arms, tempered, tensile strength class 8.8, galvanized and passivated, with removable rubber nose. Sizes 0-3 with washer/nut-element. Sizes 4-7 with nut.

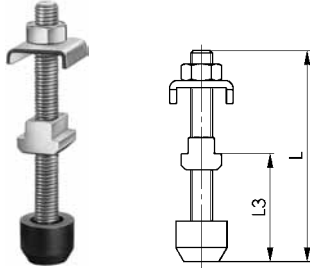


Order no.	Size	Screw DIN 933	T-Nut DIN 508	Washer size	L	L3	Weight [g]
98988	0/0	M 4x 25	-	0/0	32	13-20	5
99002	0	M 4x 25	-	0	32	13-20	5
99010	1	M 5x 30	-	1	38	17-24	10
99028	2	M 6x 35	-	2	45	19-28	22
99077	2	M 6x 50	-	2	60	19-43	30
99036	3	M 8x 45	-	3	58	22-34	40
99044	4	M 8x 65	M 8x10	4	78	21-50	62
99051	5	M 8x 65	M 8x10	5	78	21-45	62
99085	6	M12x 80	M12x14	6	97	28-58	160
99069	7	M12x110	M12x14	6	127	28-88	180

No. 6890NI

Clamping screw

for open clamping arms, stainless steel. Size 4 with 2 washers.

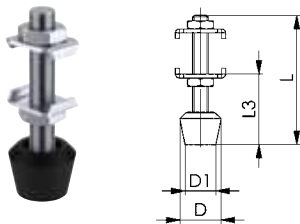


Order no.	Size	Screw DIN 933	Washer size	L	L3	Weight [g]
95950	0/0	M4x25	0/0	32	13-20	5
96040	0	M4x25	0	32	13-20	5
96057	1	M5x30	1	38	17-24	10
96065	2	M6x35	2	45	19-28	22
96073	3	M8x45	3	58	22-34	40
96081	4	M8x65	4	78	21-50	60

No. 68301

Clamping screw

For horizontal acting toggle clamp plus. complete with U-washers, hex nuts and screw with bonded pressure pad, made of oil-resistant neoprene to prevent damage to delicate workpieces. Hardness 85 Shore A, LABS-free (silicone-free). Strength class 8.8.

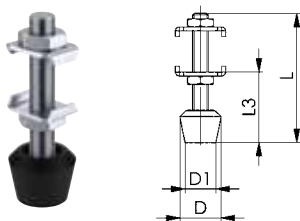


Order no.	Size	M x L	D	D1	L3	Weight [g]
552698	1	M5 x 35	11	10	9 - 18	15
551718	2	M6 x 50	16	12	17 - 29	20
551719	3	M8 x 58	21	16	21 - 34	36
551720	4	M10 x 76	26	20	28 - 44	95

No. 68301NI

Clamping screw

for horizontal toggle clamp plus, stainless steel.



NEW!

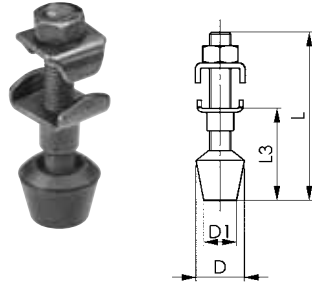
Order no.	Size	M x L	D	D1	L3	Weight [g]
555177	2	M6 x 50	16	12	17 - 29	20
555178	4	M10 x 76	26	20	28 - 44	95

Subject to technical alterations.

No. 6890B

Clamping screw, black

for open clamping arms,
matte-black galvanized, complete with washer, nut element,
washer, hex nut and screw with bonded pressure pad, made of
oil-resistant neoprene to prevent damage to delicate workpieces.
Hardness 85 Shore A, LABS-free (silicone-free).
Strength class 8.8.

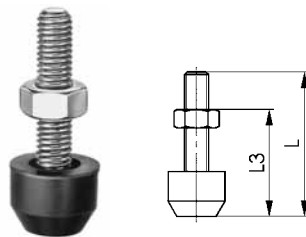


Order no.	Size	M x L	D	D1	L3	Weight [g]
99697	0/0	M4x34,5	10	-	11,5-23	6
99614	0	M4x34,5	10	-	11,5-22	6
99671	1	M5x38,0	13	10	17,0-24	11
99630	2	M6x46,0	16	10	20,0-27	17
92635	2	M6x60,0	16	10	20,0-40	22
92916	2	M6x110,0	16	10	20,0-90	60
99655	3	M8x63,0	18	13	27,0-37	39

No. 6880

Clamping screw

for push-pull type clamps,
tempered, tensile strength class 8.8, galvanized and passivated,
with nut and removable rubber nose.

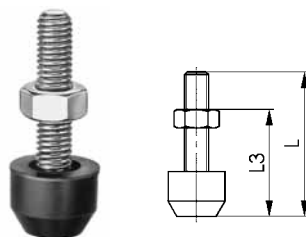


Order no.	Size	Screw DIN 933	L	L3	Weight [g]
98012	0+1	M 4x20	27	12-20	4
98038	2	M 6x25	35	17-25	15
98046	3	M 8x35	48	22-35	26
98053	5	M10x50	66	30-52	57
98061	7	M12x50	68	30-50	82
98475	8	M16x80	90	25-70	220

No. 6880NI

Clamping screw

for push-pull type clamps,
stainless steel

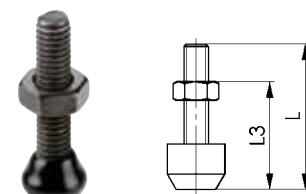


Order no.	Size	Screw DIN 933	L	L3	Weight [g]
96008	0+1	M 4x20	27	12-20	4
96016	2	M 6x25	35	18-27	15
96024	3	M 8x35	48	22-35	26
96032	7	M12x50	68	30-50	82

No. 6880B

Clamping screw, black

for push-pull type clamps,
matte-black, with nut and bonded pressure pad,
strength class 8.8.



Order no.	Size	Screw DIN 933	L	L3	Weight [g]
99622	1	M4 x 20	23	10-17	4
99705	2	M6 x 25	35	17-25	15
492058	3	M8 x x44	44	26 - 33	26

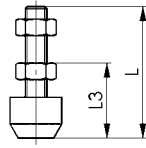
No. 6885

Clamping screw

for solid and fixed clamping arms, tempered, tensile strength class 8.8, galvanized and passivated, with 2 nuts and removable rubber nose.



Order no.	Size	Screw DIN 933	L	L3	Weight [g]
98517	1	M 5x 30	38	14-25	10
98525	2	M 6x 35	45	17-25	20
98533	3	M 8x 45	58	22-32	35
98541	4	M 8x 65	78	22-52	40
98558	5	M12x 80	98	30-60	130
98566	6	M12x110	128	30-88	160
98582	8	M16x120	130	25-84	280



CAD



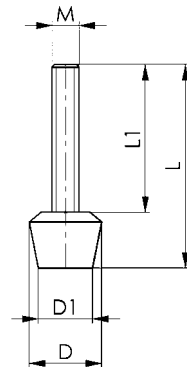
No. 6894

Clamping screw

with a bonded pressure pad, made of oil resistant neoprene to prevent damage to delicate workpieces. Hardness 85 Shore A, LABS-free (silicone-free). Screw tempered, galvanized and passivated, strength class 8.8.



Order no.	M x L	D	D1	L1	Weight [g]
99408	M 4x 32	11	8	24	4
99416	M 5x 38	13	10	28	8
99390	M 6x 35	16	12	23	11
99424	M 6x 45	16	12	33	13
99556	M 6x 60	16	12	48	16
99432	M 8x 48	21	16	32	25
99499	M 8x 58	21	16	42	29
99440	M 8x 63	21	16	47	31
99457	M 8x 78	21	16	62	37
99580	M10x 66	26	20	46	53
99598	M10x 76	26	20	56	59
99606	M10x116	26	20	96	84
99465	M12x 70	31	24	46	78
99473	M12x100	31	24	76	105
99481	M12x130	31	24	106	131



CAD



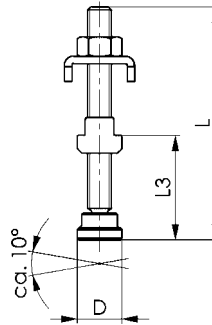
Subject to technical alterations.

No. 6891

Self-aligning clamping screw

for open clamping arms,
tempered, galvanized and passivated. Sizes 1-3 with washer/
nut-element. Sizes 4-6 with T-nut.

Order no.	Size	Screw DIN 6332	T-Nut DIN 508	Washer size	D	L	L3	Weight [g]
99119	1	M 5x 35	-	1	12	37	12-22	12
99127	2	M 6x 50	-	2	12	52	14-33	20
99135	3	M 8x 75	-	3	16	78	18-52	47
99143	4	M 8x 75	M 8x10	4	16	78	15-50	62
99168	6	M12x100	M12x14	6	25	105	25-62	183



CAD

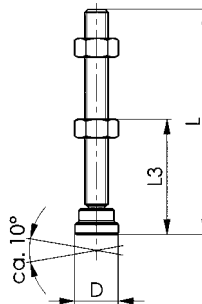


No. 6886

Self-aligning clamping screw

for solid and closed clamping arms,
tempered, galvanized and passivated.

Order no.	Size	Screw DIN 6332	D	L	L3	Weight [g]
98616	1	M 5x 35	12	37	8-23	9
98632	4	M 8x 75	16	78	16-52	42
98665	6	M12x100	25	105	30-61	138



CAD



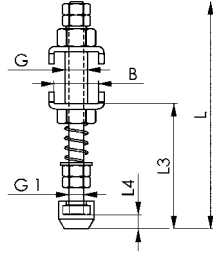
No. 6892

Spring loaded screw

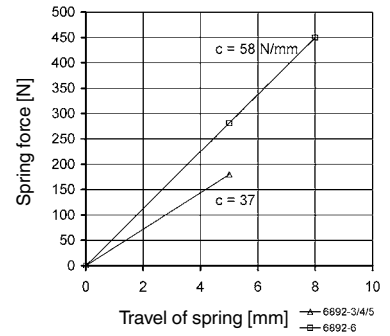
for open ended clamping arms, tempered, galvanized and passivated.



Order no.	Size	B	G	G1	Rubber nose	L	L3	L4	Weight [g]
99259	3	14,5	M 8	M5	6893-M5	90	39-52	5	55
99267	4	18,5	M 8	M5	6893-M5	90	40-53	5	63
99275	5	20,5	M 8	M5	6893-M5	90	40-48	5	64
99283	6	24,0	M12	M8	6893-M8	123	60-68	7	182



Spring rate:



CAD



No. 6893

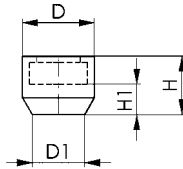
Rubber nose

Made of oil resistant neoprene to prevent damage to delicate components. Hardness 70 Shore A. Fits the clamping screws no. 6880, no. 6885, no. 6890 and no. 6892, for placement on hexagon screw head ISO 272. Minimum order quantity is 10 pieces per size.

Order no.	Size	SW	D	D1	H	H1	Weight [g]
99309	M4	7	11,0	7	8,5	4,2	1
99325	M5	8	12,5	8	10,0	5,0	1
99333	M6	10	15,0	10	12,0	6,0	2
99341	M8	13	19,0	13	15,0	7,5	4
99358	M10	16	22,0	15	17,5	8,5	5
99374	M12-SW18	18*	25,0	18	20,0	9,5	8
99366	M12-SW19	19**	26,0	19	20,0	9,5	9
99382	M16	24	33,0	24	27,0	14,0	19

* According to new standard ISO 4017 (marked with a „6“ on its clamping face).

** According to old norm DIN 933.



CAD



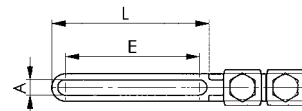
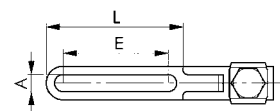
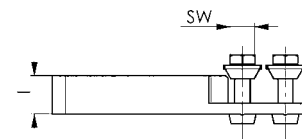
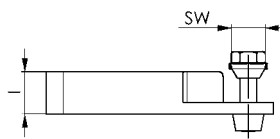
No. 6896

Clamping arm extension

for manual clamps, steel, blued. Complete with fastening screw. Without clamping screw.



Order no.	Size	Clamping screw	A	E	I	L	SW	Weight [g]
94045	0	M4	4,2	25	10	32,5	7	15
94060	1	M5	5,2	45	12	55,0	8	25
94086	2	M6	6,2	65	14	73,5	10	40
94102	3	M8	8,2	70	20	82,0	13	80



Size 0, 1, 2

Size 3

CAD



Subject to technical alterations.

No. 6895

Supporting arm for toggle clamps

Galvanized and passivated, complete with two tempered clamping screws no. 6890 and fastening screw.



Order no.	Size	Screw DIN 933	Distance between screws	Length [mm]	Weight [g]
99507	0	M 4x25	18- 60	70	40
99515	1	M 5x30	22- 72	85	65
99523	2	M 6x35	28- 85	100	90
99531	3	M 8x45	34-100	120	200
99549	4	M 8x65	40-125	150	370
99572	5	M 8x65	40-125	150	370
99564	6	M12x80	54-200	240	985



Application possibilities, in relation to toggle clamp size:

Item no. of toggle clamp	Size of supporting arm						
	0	1	2	3	4	5	6
6800	0	1	2	3	4	-	5+6
6800S/6802S	-	-	2	3	4	-	-
6802	-	1	2	3	4	-	-
6803	-	1	2	3	4	-	-
6803S	-	-	1	3	4	-	-
6820F/6820M	-	1	2	3	4	-	-
6820K	0	1	2	3	-	-	-
6821F/6821M	-	-	2	3	4	-	-
6830/6832	0	1	2	3	4	5	-
6830S/6832S	-	-	-	3	4	-	-
6833	-	1	2	3	4	-	-



No. 6820SIS

Proximity switch



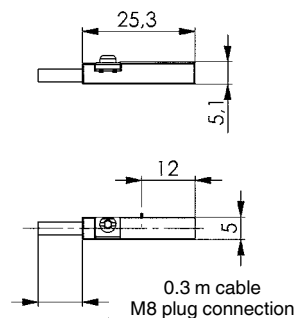
Order no.	Cable length [m]	Weight [g]
392241	0,3	15

Application:

Proximity switch for end-position sensing.

Note:

PUR cable 0.3 m with M8 plug connection and rotating knurled nuts.
Switching function: NOC.
Output: PNP.



No. 6848GH

Counter catch

for no. 6848H.
Galvanized and passivated.

Order no.	Size	F	dia. G	H	H1	K	L	N	Weight [g]
94821	2	11	5,2	12	18	8	26	18	16
94839	3	14	6,5	19	28	12	39	23	44
94847	4	19	8,5	26	38	17	56	30	108

CAD



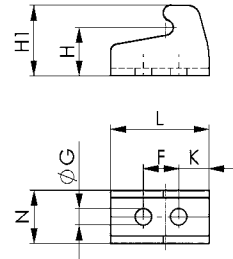
No. 6848GHNI

Counter catch

for no. 6848HNI.
Polished stainless steel.



Order no.	Size	F	dia. G	H	H1	K	L	N	Weight [g]
95638	2	11	5,2	12	18	8	26	18	16
95646	3	14	6,5	19	28	12	39	23	44
95653	4	19	8,5	26	38	17	56	30	108



CAD



No. 6848GV

Counter catch

for no. 6848V.
Galvanized and passivated.

Order no.	Size	F	dia. G	H	H1	K	L	N	Weight [g]
94854	2	11	5,2	5	12	5	26	18	14
94862	3	14	6,5	6	16	7	36	23	30
94870	4	19	8,5	8	22	9	48	30	66

CAD



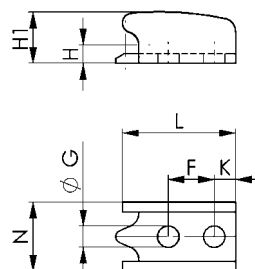
No. 6848GVNI

Counter catch

for no. 6848VNI.
Polished stainless steel.



Order no.	Size	F	dia. G	H	H1	K	L	N	Weight [g]
95661	2	11	5,2	5	12	5	26	18	14
95679	3	14	6,5	6	16	7	36	23	30
95687	4	19	8,5	8	22	9	48	30	66



CAD



Subject to technical alterations.

... BY ITEM NO.

Article no.	Page	Article no.	Page	Article no.	Page	Article no.	Page	Article no.	Page
No. 6800	10	No. 6825C	82	No. 68301NI	108	No. 6845	30	No. 6870	60
No. 6800B	64	No. 6825CE	83, 84	No. 6832	22	No. 6845B	70	No. 6871	61
No. 6800BS	71	No. 6826C	85	No. 6832B	67	No. 6847	34	No. 6872	61
No. 6800NI	47	No. 6826CE	86	No. 6832BS	73	No. 6847G	34	No. 6873	62
No. 6800S	39	No. 6828H	91	No. 6832S	43	No. 6847GK	35	No. 6874	62
No. 6802	11	No. 6828M	90	No. 6833	24	No. 6847GKNI	53	No. 6880	109
No. 6802B	65	No. 6828SP	95, 97	No. 6834	23	No. 6847GNI	52	No. 6880B	109
No. 6802BS	72	No. 6828V	94, 96	No. 6834S	44	No. 6847K	35	No. 6880NI	109
No. 6802S	40	No. 6829AD	103	No. 6835BS-2	74	No. 6847KNI	53	No. 6885	110
No. 6803	12	No. 6829BR/BL	100	No. 6835BS-3	75	No. 6847NI	52	No. 6886	111
No. 6803NI	48	No. 6829ER/EL	102	No. 6835B-2	68	No. 6847S	45	No. 6890	108
No. 6803S	41	No. 6829GF	104	No. 6835B-3	69	No. 6847SU	45	No. 6890B	109
No. 6804	13	No. 6829KR/KL	99	No. 6837H	25	No. 6848GH	114	No. 6890NI	108
No. 6804S	42	No. 6829N	104	No. 6837M	25	No. 6848GHNI	114	No. 6891	111
No. 6805	14	No. 6829SP	103	No. 6840	28	No. 6848GV	114	No. 6892	112
No. 6806	14	No. 6829V	89	No. 6840S	44	No. 6848GVNI	114	No. 6893	112
No. 6809P	17	No. 6829W	105	No. 6841	27	No. 6848H	36	No. 6894	110
No. 6810P	18	No. 6829WS	106	No. 6841B	70	No. 6848HNI	54	No. 6895	113
No. 6811P	15	No. 6829WSP	106	No. 6841NI	57	No. 6848HS	46	No. 6896	112
No. 6812P	16	No. 6830	20	No. 6842	31	No. 6848HSNI	55	No. 6897K	107
No. 6815C	87	No. 6830B	66	No. 6842PK	32	No. 6848V	37	No. 6897S	106
No. 6816CE	88	No. 6830NI	49	No. 6842PL	33	No. 6848VNI	56	No. 6898V	107
No. 6820A	80	No. 6830S	43	No. 6843	30	No. 6849PH	38		
No. 6820K	79	No. 68300	21	No. 6843NI	58	No. 6850	77		
No. 6820SIS	113	No. 68300NI	50	No. 6844	29	No. 6860	26		
No. 6821A	81	No. 68301	108	No. 6844NI	58	No. 6860P	78		

... BY ORDER NO.

Order no.	Page	Order no.	Page	Order no.	Page	Order no.	Page	Order no.	Page
392241	113	555183	107	90456	13	91397	100	91884	90
456400	67	555184	107	90464	13	91405	100	91892	96
482471	67	555185	107	90472	65	91413	100	91900	95
482497	67	90001	10	90480	66	91421	100	91959	97
492058	109	90019	10	90498	65	91439	100	92007	95
551715	21	90027	10	90506	66	91447	100	92056	97
551716	21	90035	10	90514	14	91454	100	92072	97
551717	21	90043	10	90522	66	91462	100	92080	95
551718	108	90050	10	90530	67	91470	45	92098	97
551719	108	90068	10	90548	70	91488	78	92106	83
551720	108	90134	39	90555	14	91496	100	92114	97
552552	21	90142	39	90563	14	91504	100	92122	83
552698	108	90159	39	90571	14	91512	100	92130	97
554878	60	90167	64	90589	14	91520	100	92148	87
554879	60	90175	64	90597	106	91538	100	92155	87
554880	60	90183	64	90613	107	91546	100	92163	78
554881	61	90191	64	90639	107	91553	100	92171	87
554882	61	90209	40	90662	75	91561	100	92189	87
554883	61	90217	11	90670	68	91579	105	92197	87
554884	61	90225	11	90696	69	91595	105	92205	82
554885	62	90233	11	90712	74	91603	106	92213	82
554886	62	90241	11	90738	17	91611	105	92221	82
554887	62	90258	11	90746	17	91629	106	92239	84
554888	62	90266	11	90753	17	91637	105	92247	84
555061	80	90274	40	90761	17	91645	106	92254	84
555062	80	90282	40	90779	17	91652	105	92262	85
555063	80	90290	67	90787	78	91660	106	92270	85
555064	80	90308	67	90803	18	91678	106	92288	85
555065	81	90316	12	90811	18	91686	106	92296	86
555066	81	90324	12	90829	18	91694	106	92304	86
555067	81	90332	12	90837	18	91702	106	92312	86
555083	91	90340	12	90845	18	91710	79	92320	88
555084	91	90357	41	90878	15	91728	79	92338	88
555085	91	90365	41	90886	15	91736	79	92346	88
555170	91	90373	41	90894	15	91744	79	92353	97
555171	91	90381	67	90902	16	91751	106	92361	105
555172	91	90399	42	90910	16	91793	106	92379	97
555175	50	90407	42	90928	16	91835	94	92387	105
555176	50	90415	65	91280	70	91843	90	92395	97
555177	108	90423	66	91314	15	91850	96	92403	103
555178	108	90431	13	91330	16	91868	90	92411	103
555182	107	90449	13	91348	71	91876	96	92429	103

... BY ORDER NO.

Order no.	Page	Order no.	Page	Order no.	Page	Order no.	Page
92437	103	93534	44	94714	36	98517	110
92445	105	93542	24	94755	37	98525	110
92452	103	93559	99	94763	37	98533	110
92460	105	93567	99	94771	37	98541	110
92478	105	93575	99	94821	114	98558	110
92486	103	93583	99	94839	114	98566	110
92494	103	93591	99	94847	114	98582	110
92502	103	93609	89	94854	114	98616	111
92544	32	93617	89	94862	114	98632	111
92569	32	93625	89	94870	114	98665	111
92585	32	93633	89	95000	47	98988	108
92601	32	93641	89	95026	47	99002	108
92619	44	93658	55	95034	77	99010	108
92627	33	93666	45	95042	47	99028	108
92635	109	93674	103	95059	77	99036	108
92643	33	93682	103	95067	47	99044	108
92650	43	93690	103	95075	77	99051	108
92668	33	93708	103	95083	47	99069	108
92676	29	93716	103	95091	58	99077	108
92684	33	93831	26	95133	48	99085	108
92692	46	93849	38	95141	49	99119	111
92809	102	93856	38	95158	58	99127	111
92817	102	93864	26	95166	49	99135	111
92825	102	93880	26	95174	58	99143	111
92833	102	93906	28	95182	49	99168	111
92841	102	93914	28	95190	58	99259	112
92858	102	93922	28	95208	49	99267	112
92866	102	93930	28	95224	49	99275	112
92874	102	93948	25	95265	57	99283	112
92882	102	93955	28	95299	57	99309	112
92890	102	94003	30	95349	58	99325	112
92916	109	94011	30	95364	58	99333	112
92924	104	94029	30	95380	58	99341	112
92932	104	94037	30	95406	52	99358	112
92940	104	94045	112	95422	52	99366	112
92957	104	94052	30	95448	52	99374	112
92973	104	94060	112	95455	53	99382	112
93005	20	94086	112	95463	52	99390	110
93013	20	94094	27	95489	52	99408	110
93021	20	94102	112	95505	52	99416	110
93039	20	94110	27	95521	54	99424	110
93047	20	94128	27	95547	54	99432	110
93054	20	94136	27	95562	54	99440	110
93062	104	94144	25	95588	56	99457	110
93070	104	94151	27	95596	53	99465	110
93088	104	94201	25	95604	56	99473	110
93096	104	94235	31	95620	56	99481	110
93104	104	94243	30	95638	114	99499	110
93112	43	94250	31	95646	114	99507	113
93179	24	94268	25	95653	114	99515	113
93195	43	94276	31	95661	114	99523	113
93203	22	94284	25	95679	114	99531	113
93211	22	94292	25	95687	114	99549	113
93229	22	94300	29	95950	108	99556	110
93237	22	94318	29	96008	109	99564	113
93245	22	94334	29	96016	109	99572	113
93252	22	94359	28	96024	109	99580	110
93260	43	94367	27	96032	109	99598	110
93328	24	94391	30	96040	108	99606	110
93336	24	94524	34	96057	108	99614	109
93427	23	94540	34	96065	108	99622	109
93435	23	94565	34	96073	108	99630	109
93443	23	94623	34	96081	108	99648	73
93450	23	94649	34	98012	109	99655	109
93484	99	94664	34	98038	109	99663	70
93492	99	94672	35	98046	109	99671	109
93500	99	94680	35	98053	109	99689	72
93518	99	94698	36	98061	109	99697	109
93526	99	94706	36	98475	109	99705	109

... IN ALPHABETICAL ORDER

Description	Page
A	
Adapter	103
Angle base, solid	30, 58
C	
Clamp arm	95, 97, 106
Clamping arm	103
Clamping arm extension	112
Clamping screw	108, 110
Clamping screw	108, 109
Clamping screw, black	109
Combi-clamp, pneumatic	78
Combination clamp	26
Counter catch	34, 35, 52, 53, 114
G	
Grooved nut (DIN 70852)	104
H	
Handle, removable	25
Heavy hook type toggle clamp	38
Heavy pneumatic toggle clamp	82, 83, 84, 85, 86, 94, 96
Heavy push-pull type toggle clamp	31, 32, 33
Heavy vertical toggle clamp	15, 16
Hook type toggle clamp	34, 35, 52, 53
Hook type toggle clamp horizontal	36, 54
Hook type toggle clamp horizontal with safety latch	46, 55
Hook type toggle clamp vertical	37, 56
Hook type toggle clamp with safety latch	45
Horizontal acting toggle clamp	20, 22, 23, 24, 25, 49
Horizontal acting toggle clamp plus	21
Horizontal toggle clamp, black	66, 67, 68, 69
Horizontal toggle clamp plus	50
Horizontal toggle clamp variable	60, 61
Horizontal toggle clamp with safety latch	43, 44
Horizontal toggle clamp with safety latch, black	73, 74, 75
L	
Link Clamp, pneumatic, flange-mounting version	89
M	
Modular clamp	17, 18
P	
Plug connection for sensor monitor	107
Pneumatic clamp	80, 81
Pneumatic clamp with lever	91
Pneumatic toggle clamp	79, 90
Proximity switch	113
Push type pneumatic toggle clamp	77
Push-pull type toggle clamp	27, 28, 29, 30, 57, 58
Push-pull type toggle clamp, black	70
Push-pull type toggle clamp variable	62
Push-pull type toggle clamp with safety latch	44
R	
Rotatable base unit	107
Rubber nose	112
S	
Self-aligning clamping screw	111
Sensor monitor	106
Spring loaded screw	112
Supporting arm for toggle clamps	113
Swing clamp, pneumatic, block version	100
Swing clamp, pneumatic, flange-mounting version	99
Swing clamp, pneumatic, screw-in version	102
Swing Clamp with welding protection, pneumatic	105
T	
Threaded flange	104
Toggle clamp element	87, 88
V	
Vertical acting toggle clamp	10, 11, 12, 13, 14, 47, 48
Vertical toggle clamp, black	64, 65
Vertical toggle clamp with safety latch	39, 40, 41, 42
Vertical toggle clamp with safety latch, black	71, 72
W	
Welding protection	106

WE GENERATE EXCITEMENT - ON YOUR MOBILE DEVICE TOO

The "Clamping technology APP" offers you an overview of AMF's exciting clamping product range. No matter whether mechanical, pneumatic, hydraulic or magnetic clamping technology, as well as vacuum and zero point clamping systems - all the products are presented in detail in this APP, and you can see the numerous application options of AMF clamping technology at a glance.

All products can be downloaded as 2D and 3D CAD models, and be conveniently imported into all standard CAD programs.

Also stay up-to-date and read our news and PDF catalogues on your mobile device.

Test it now by downloading our clamping technology APP free-of-charge from the Apple App Store or Google Play.



**THE CLAMPING TECHNOLOGY APP -
FIND PRODUCTS, DOWNLOAD
CAD DATA, STAY INFORMED...**



These Terms of Payment apply for companies, legal entities governed by public law and public law special funds. Our goods and services are supplied exclusively on the basis of the following conditions. Any deviating purchasing conditions of the customer not expressly recognised by us will not become part of the contract through acceptance of the order. By placing the order and accepting the goods we deliver, the customer confirms its consent to our terms and conditions.

1. Offer and contractual conclusion

All our offers are always subject to change without notice unless otherwise explicitly agreed. Our delivery contracts are based on the latest version of our catalogue. Dimension and weight values, as well as illustrations, drawings and data, are non-binding and can be changed by us at any time. Therefore, deviations cannot be ruled out and do not justify any compensation claims against us.

Orders are considered accepted only when confirmed by us in writing. If, for organisational reasons, the customer does not receive a separate confirmation upon the delivery of goods, the invoice shall also be deemed the order confirmation.

2. Prices

The prices are in EURO, ex-works, excluding VAT, packing, freight, postage and insurance. Unless otherwise agreed, our list prices valid on the day of delivery shall apply. For orders below 50 EUR goods net, we must make a minimum quantity surcharge of a 10 EURO for cost reasons.

3. Tool costs

Unless any other agreements have been reached, the tools fabricated for the purpose of executing the order shall remain our property in all cases, even if we have invoiced a tool cost component separately.

4. Payment

Unless otherwise stated on the invoice, the purchase price falls due for net payment within 30 days of the invoice date (without deduction of discount). Invoice amounts of below 50 EURO are due for payment immediately.

In case of payment default, we shall be entitled to charge default interest. The amount corresponds to our interest rate for current account credits at our main bank; the minimum however being 8 percentage points above the relevant base interest rate applied by the European Central Bank. Moreover, in case of default following written notice to the customer, we shall be entitled to cease to fulfil our obligations until payments are received.

5. No set-off

The customer can set-off only with legally confirmed or undisputed counterclaims.

6. Right of withdrawal in case of delayed acceptance or payment and insolvency

If the customer fails to accept the goods in due time, we shall be entitled to set a reasonable period of grace, after which we can dispose of the goods elsewhere and supply the customer on a reasonably longer term. Our rights to withdraw from the contract under the provisions of Section 326 BGB and demand damages for non-performance shall not be affected. If the customer fails to pay for the goods once payment is due, we shall be entitled, at the end of a reasonable period of grace we have set, to withdraw from the contract and demand the return of any goods already supplied. Section 323 BGB remains unaffected in all other cases.

If the customer applies for the opening of insolvency proceedings, we shall be entitled, prior to the ordering of security measures by the insolvency court, to withdraw from the contract and demand the immediate return of the goods.

7. Customer-specific fabrications/project fabrications (custom fabrications)

Customer-specific fabrications require binding information on design, quantity etc. in written form at the time of ordering. For manufacturing reasons, we reserve the right to supply up to 10% above or below the order quantity. Technical modifications or cancellations are subject to any costs incurred. The return of customer-specific fabrications is impossible.

8. Delivery and packaging, transfer of risk

The delivery date is non-binding; although stated to the best of our knowledge. It is subject to us receiving correct, defect-free and complete deliveries. The stated delivery dates relate to completion in the factory, starting on the day the order is accepted by us. Delivery is EXW (ex-works) in accordance with Incoterms 2010. Therefore, the costs are borne by the customer. The risk is transferred to the customer when the goods are passed to the person, company or facility nominated to execute the shipment. This applies also for partial deliveries, or if we have assumed responsibility for delivery and installation. The risk shall be transferred to the customer even in the case of delayed acceptance.

In the absence of specific shipping instructions, we shall proceed as we deem fit and without any obligation to the cheapest or most expedient method. The customer agrees that the order can also be delivered in parts, insofar as this is reasonable for the customer. We shall charge a 5 EURO processing free for shipping to third parties that we supply on behalf of the customer.

The packaging complies with the packaging ordinance. Disposable packaging shall be charged at cost price. The packaging cannot be taken back.

9. Performance impediment and/or impossibility

If we are hindered in the fulfilment of our obligation due to the onset of unforeseeable circumstances, which we are unable to avoid despite reasonable effort in relation to the nature of the circumstances (e.g. operational interruption, delay in the delivery of important raw materials, defects in the delivery), the delivery time shall be extended by a reasonable period, insofar as the supply of goods or services is not rendered unreasonably difficult or impossible.

If we have to accept that these circumstances are not only temporary, we shall be entitled to withdraw from the contract either in whole or in part.

If the supply of goods or services becomes impossible, the customer shall not be obliged to furnish its own contractual service. Section 275 BGB applies mutatis mutandis. If, however, the customer is solely or predominantly responsible for the

circumstances that led to impossibility, it shall remain under an obligation to render the return service. The same applies if this circumstance occurs at a time when the customer is behind schedule with acceptance.

10. Samples/returns

Samples shall be provided only against payment. If samples or models are provided, a credit note shall be issued with the subsequent order if the order value is 125 EURO net or more. Goods can be returned only by agreement, although custom fabrications are excluded from such return.

In the case of returns for which we are not responsible (e.g. incorrect order), we shall charge a processing fee of 10%, the minimum value, however, being 7.50 EURO.

11. Retention of title

The goods shall remain our property unless full payment of all claims and/or until the cheques provided for this purpose are honoured. The itemisation of claims in an ongoing invoice, as well as balancing the account and the recognition thereof does not affect the retention of title. The customer is entitled to sell on the retained goods during the ordinary course of business. However, the customer is not permitted to pledge the goods or transfer them by way of security. It shall assign its claim ensuing from the selling on of the retained goods to us in advance. The customer shall be entitled to collect the claim to the extent that it has fulfilled its obligations towards us. At our request, the customer shall be obliged to state third-party debtors and we shall be entitled to report this and the assignment.

12. Property rights

We reserve property rights and copyrights to all contractual documents such as drafts, drawings, calculations and cost estimates. Such documents must not be reproduced or disclosed to third parties without our consent. Any rights to patents, utility models etc. reside solely with us, insofar as such patents have not yet been filed. Our products are allowed to be replicated only with our written consent.

If objects are fabricated according to drawings or samples, the customer shall warrant that any third party property rights are not infringed by manufacture or delivery. If a third party forbids manufacture and delivery on account of property rights, we shall be entitled to stop manufacture and delivery immediately. The customer shall be obliged to reimburse us with all costs incurred and indemnify us from third party compensation claims. Compensation claims by the customer are impossible.

13. Warranty

If the customer agrees with us a particular quality of the goods, we shall base this agreement on our technical delivery specifications. If we have to deliver according to customer drawings, specifications, samples etc., the customer shall assume the risk for suitability for the intended purpose. If, after the contract is concluded, the scope of goods or services is changed at the customer's request and this impairs the quality or suitability of the goods, claims for defects on the part of the customer shall be ruled out, insofar as such impairments are caused by the customer's requests for change.

The time at which the risk is transferred is decisive for the contractual state of the goods. Wear and tear of wearing parts caused by ordinary use does not constitute a defect. Claims for defects are ruled out in the following cases in particular: Unsuitable or improper use, incorrect installation and/or commissioning by the customer or third party, normal wear and tear, incorrect or negligent handling - in particular excessive use -, unsuitable equipment, replacement materials, chemical, electrochemical or electrical influences, unless such defects are caused by ourselves.

If the goods contain a defects, we shall provide, following a reasonable period of grace set by the customer, either a replacement or a repair as we deem fit. If such subsequent performance fails, the customer shall be entitled to either reduce the purchase price or withdraw from the contract. Any further warranty claims are ruled out. In case of negligible deviations from the agreed quality, no claims for defects shall be recognised.

The discovery of defects must be communicated to us immediately in writing. In the case of recognisable defects, however, within 10 days of acceptance, in the case of non-recognisable defects immediately after they become evident. The warranty is 12 months, starting with delivery of the goods ex-works.

14. Liability

With the exception of harm to life, body or health on account of a breach of duty by ourselves, our liability shall be limited to intent or gross negligence.

15. Place of fulfilment, place of jurisdiction and governing law

The place of fulfilment for all obligations ensuing from this contractual relationship is D-70734 Fellbach.

The place of jurisdiction for all legal disputes ensuing from the contractual relationship is the court responsible for the headquarters of Andreas Maier GmbH & Co. KG.

All disputes ensuing from the contract or regarding the validity thereof shall be finally decided by a court of arbitration in accordance with the Court of Arbitration Ordinance of the German Committee for Arbitration Court Procedures or the Conciliation and Arbitration Arrangement of the International Chamber of Commerce, recourse to ordinary courts of law being excluded. The legal dunning process, however, remains permissible.

German law shall govern (BGB and HGB). The applicability of the UN Convention on Contracts for the International Sale of Goods (CISG) is ruled out.

16. Severability clause

If individual provisions become legally invalid, the remaining provisions shall not be affected. The legally invalid provision shall be replaced by regulations that most closely reflect the economic purpose of the contract with reasonable consideration for the mutual interests. The publication of these Terms of Sale, Delivery and Payment renders all previous versions invalid. This does not apply for any contracts concluded prior to announcement.

TOGGLE CLAMPS, MANUAL AND PNEUMATIC CATALOGUE 2017

Request additional catalogues from www.amf.de



MAGNETIC CLAMPING TECHNOLOGY



HYDRAULIC CLAMPING SYSTEMS



„ZERO-POINT“ CLAMPING SYSTEM



CLAMPING AND FIXTURE SYSTEMS



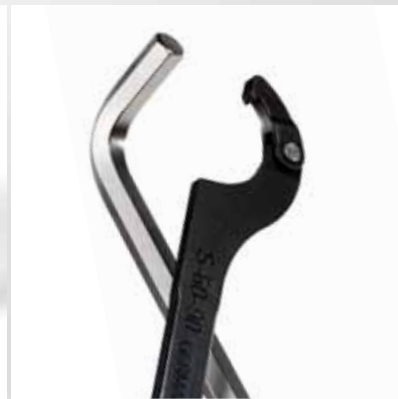
TOGGLE CLAMPS



VACUUM CLAMPING TECHNOLOGY



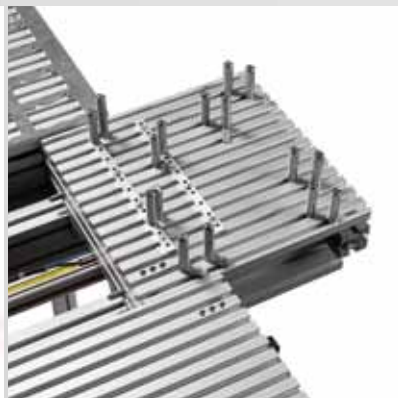
STANDARD CLAMPING ELEMENTS



HAND TOOLS



MARKING AND CLEANING TOOLS



PALLET FEED SYSTEMS



GRIPPER



LOCKS FOR DOORS AND GATES



ANDREAS MAIER GmbH & Co. KG

Waiblinger Straße 116 · D-70734 Fellbach

Phone: +49 711 5766-0

Fax: +49 711 575725

E-mail: amf@amf.de

Web: www.amf.de

Order no. 462978 · € 3,60